

THIS DRAWING IS UNPUBLISHED. RELEASED FOR PUBLICATION
 © COPYRIGHT BY TYCO ELECTRONICS CORPORATION. ALL RIGHTS RESERVED.

LOC		DIST		REVISIONS			
P	LTR	DESCRIPTION		DATE	DWN	APVD	
GP	00	E		REVISED PER ECO-08-007327	05SEP08	BM WM	

RECEPTACLE TERMINAL
 QUANTITY 50

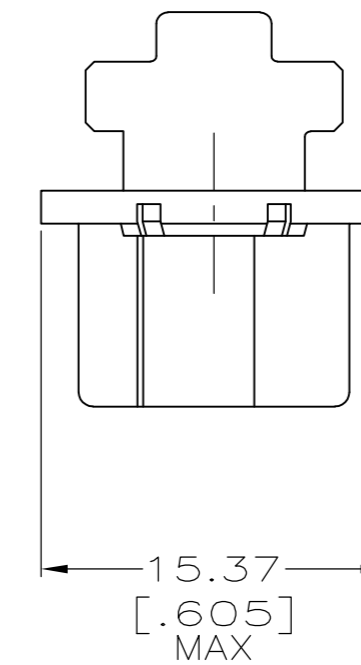
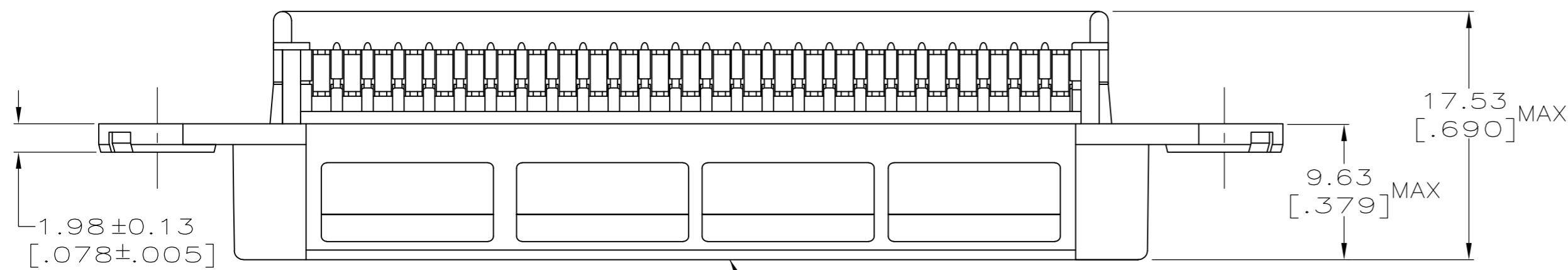
BLUE COLOR DOT
 LOCATED IN CENTER

$\phi 3.18 \pm 0.13$
 $[\ .125 \pm .005]$
 2 HOLES

74.83 ± 0.36
 $[2.946 \pm .014]$

83.31
 $[3.280]$

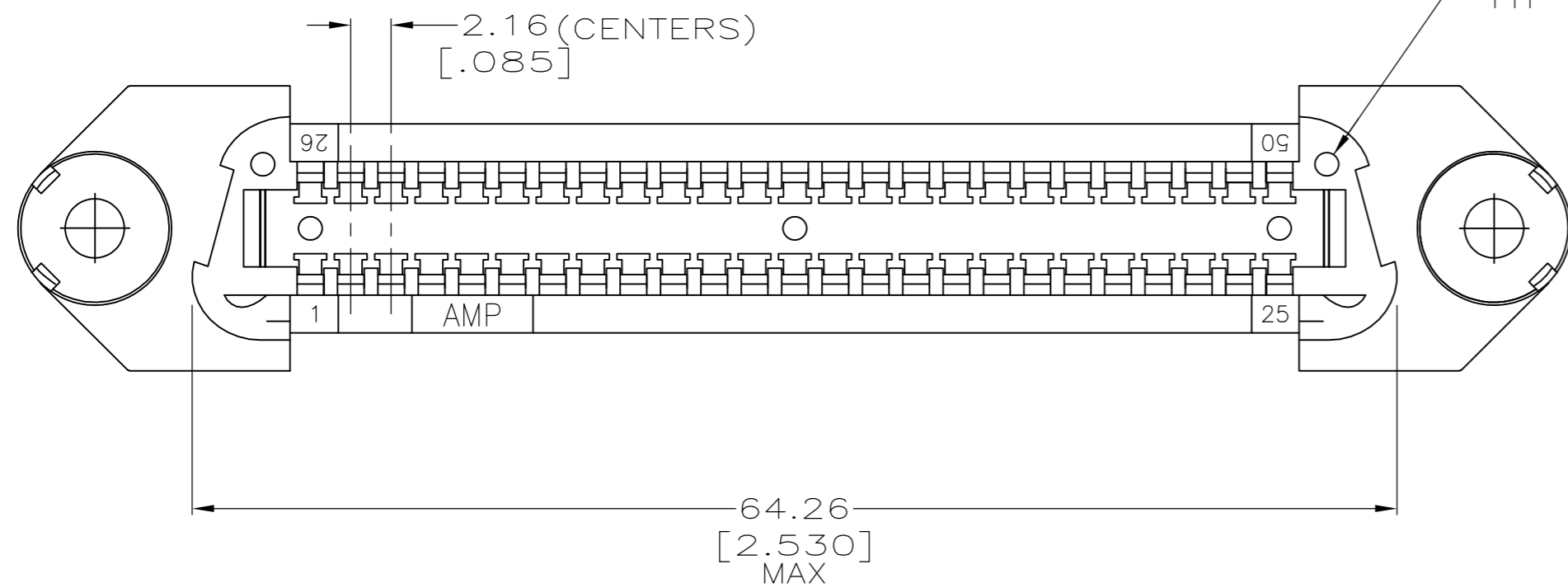
1. MATERIAL: HOUSING - POLYPHENYLENE OXIDE, BLACK. TERMINAL - HIGH STRENGTH COPPER ALLOY PLATED WITH $0.76\mu\text{m}$ $[.000030]$ MIN GOLD OR GOLD FLASH OVER PALLADIUM NICKEL PLATE, $0.76\mu\text{m}$ $[.000030]$ MIN TOTAL ON MATING SURFACE, $1.27\mu\text{m}$ $[.000050]$ MIN NICKEL UNDERPLATE ON ENTIRE CONTACT.
2. THE CONTACT SURFACES OF THE TERMINALS ARE COATED WITH LUBRICANT.
3. WIRE SIZE: 26 AWG SOLID OR 24 AWG 7 STRANDS OF COPPER CONDUCTORS. MAXIMUM INSULATION DIAMETER OF 1.14 $[.045]$ IS ACCEPTABLE FOR MOST APPLICATIONS.



RECEPTACLE HOUSING

OPTIONAL CORE FEATURE
 TYP

2.16 (CENTERS)
 $[.085]$



554342-1
 PART NUMBER

THIS DRAWING IS A CONTROLLED DOCUMENT.		DWN DL DRUMMOND 22AUG2002	Tyco Electronics Corporation Harrisburg, PA 17105-3608	
DIMENSIONS: mm [INCHES]		CHK DL DRUMMOND 22AUG2002		
TOLERANCES UNLESS OTHERWISE SPECIFIED:		APVD RP MCCRAW 26AUG2002	NAME	
0 PLC ± - 1 PLC ± - 2 PLC ± - 3 PLC ± - 4 PLC ± - ANGLES ± -		PRODUCT SPEC	EMI RECEPTACLE ASSEMBLY, 50 POSITION, SCREW LOCK, B-SLOT, WITH 3.175 $[.125]$ DIAMETER HOLES, CHAMP	
MATERIAL		FINISH	SIZE A2	RESTRICTED TO
			CAGE CODE 00779	DRAWING NO C=554342
			SCALE 3:1	SHEET 1 OF 1
			CUSTOMER DRAWING	REV E

单击下面可查看定价，库存，交付和生命周期等信息

[>>TE Connectivity\(泰科\)](#)