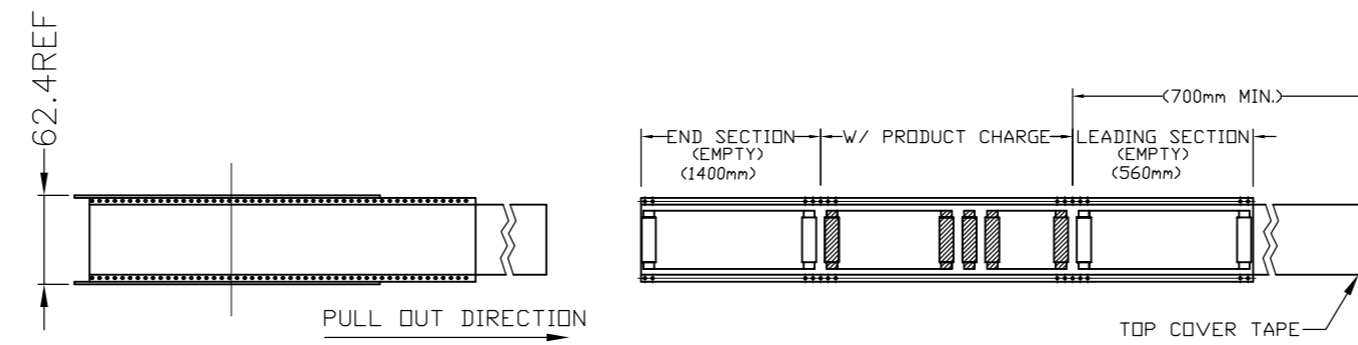
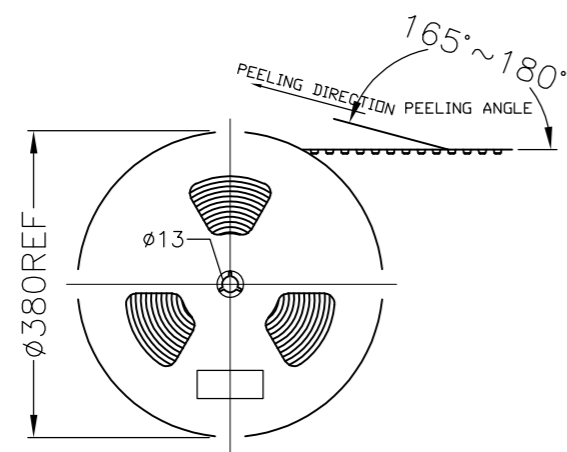
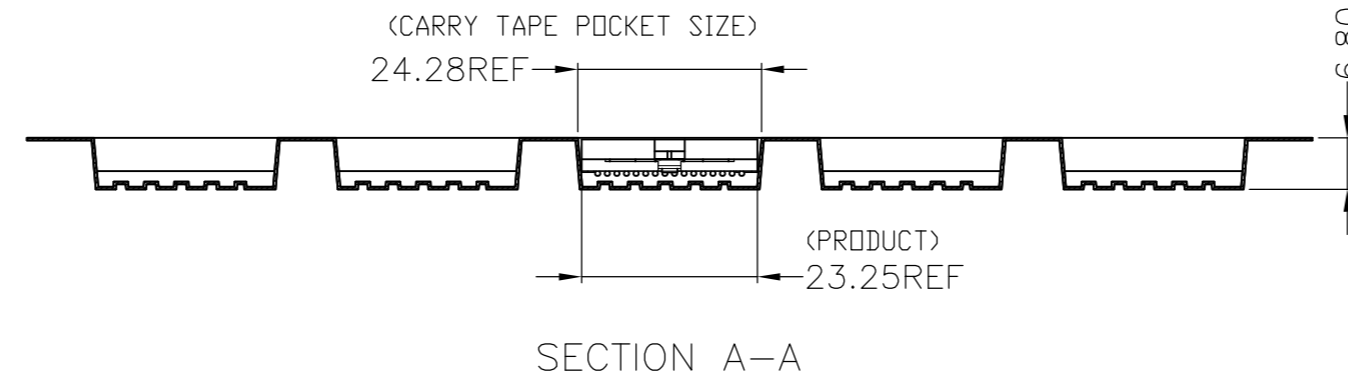
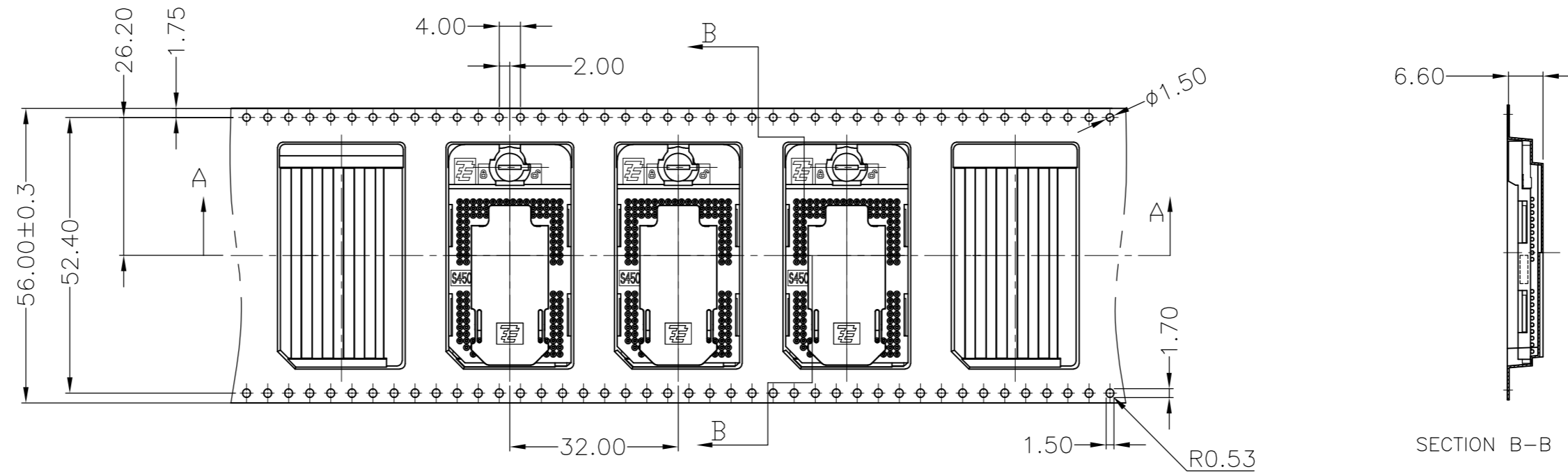


THIS DRAWING IS UNPUBLISHED. RELEASED FOR PUBLICATION
 © COPYRIGHT - By - ALL RIGHTS RESERVED.

LOC		DIST		REVISIONS			
P	LTR	DESCRIPTION		DATE	DWN	APVD	
B4		REVISED		21MAR2013	M.L	C.W	

TAPE & REEL PACKAGE:AS SHOWN

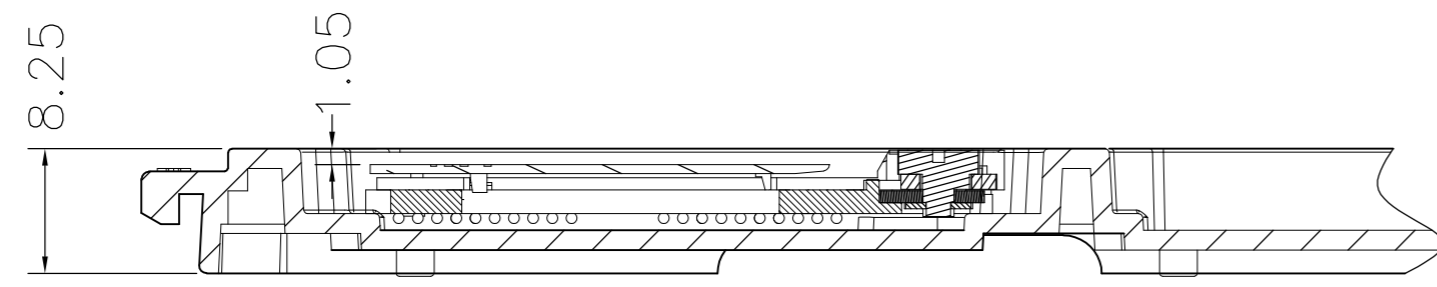
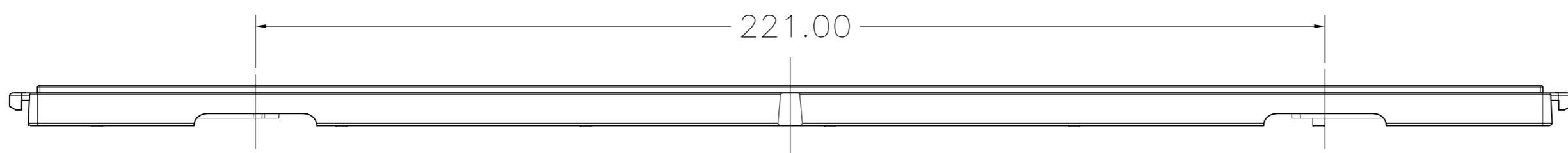
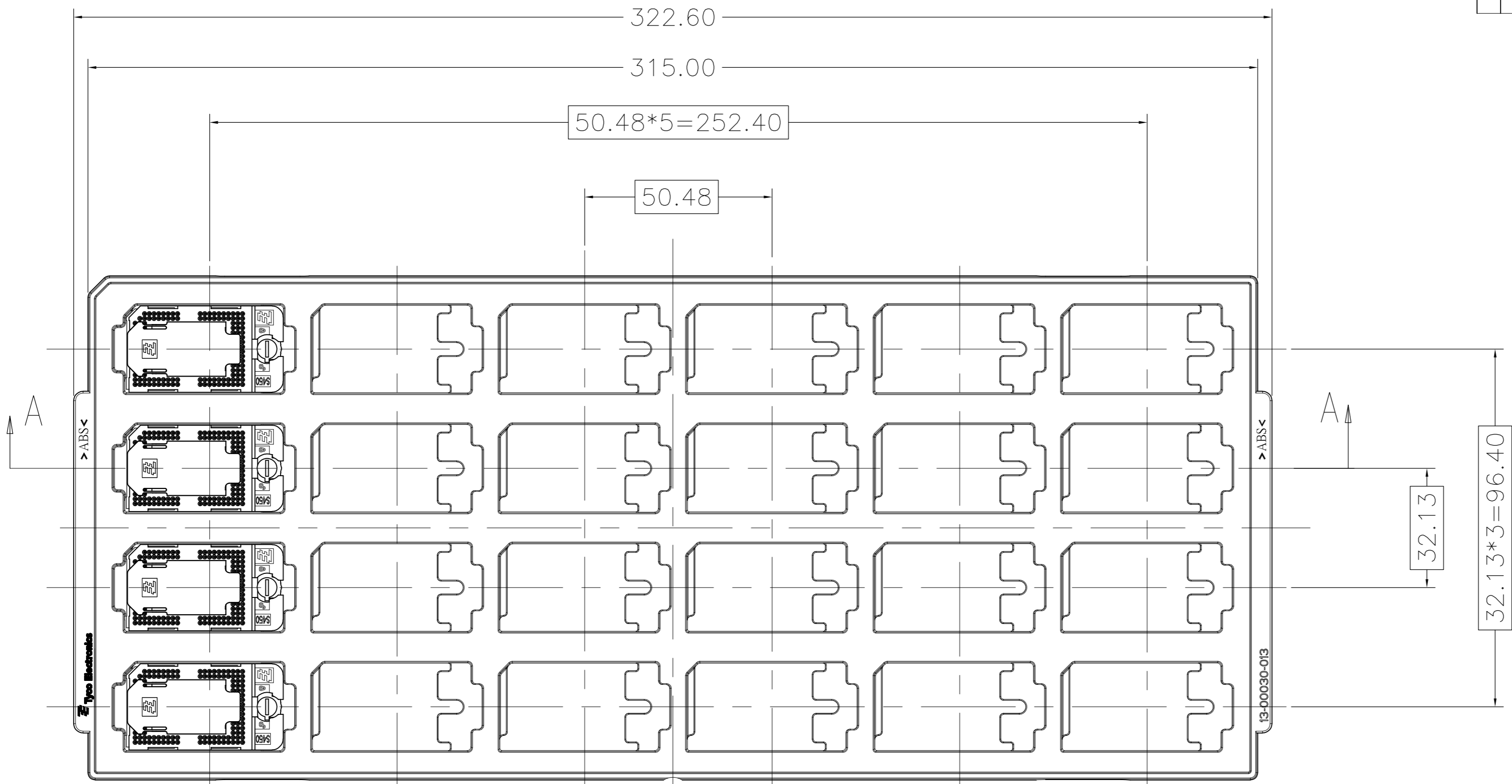


PRELIMINARY	1600	TAPE & REEL	Pb-FREE	400	0.25um	1-2069279-2
RELEASE	960	TRAY	Pb-FREE	24	0.25um	1-2069279-1
TOOLING STATUS	FINAL SHIPPING QTY PER CARTON BOX	PACKAGE TYPE	BALL TYPE	QTY PER PACKAGE	GOLD PL. TYPE	PART NO.

THIS DRAWING IS A CONTROLLED DOCUMENT.		DWN C.DING 02JUL08	 TE Connectivity SOCKET ASS'Y WITH PACKAGE DMD 450 SOCKET			
DIMENSIONS: mm		CHK S.HASHIMOTO 02JUL08				
TOLERANCES UNLESS OTHERWISE SPECIFIED:		APVD H.SHIRAI 02JUL08				
0 PLC ± 0.5 1 PLC ± 0.5 2 PLC ± 0.3 3 PLC ± - 4 PLC ± - ANGLES ± 3°		PRODUCT SPEC 108-115011				
MATERIAL 1	FINISH 2	APPLICATION SPEC TEST REPORT SPEC	WEIGHT -	SIZE A2	CAGE CODE 00779	DRAWING NO. C-2069279
CUSTOMER DRAWING			SCALE 4:1	SHEET 1 of 4	REV B4	RESTRICTED TO -

THIS DRAWING IS UNPUBLISHED. RELEASED FOR PUBLICATION
 © COPYRIGHT - By - ALL RIGHTS RESERVED.

LOC		DIST		REVISIONS			
P	LTR	DESCRIPTION	DATE	DWN	APVD		
-	-	SEE SHEET 1	-	-	-		



SECTION A-A

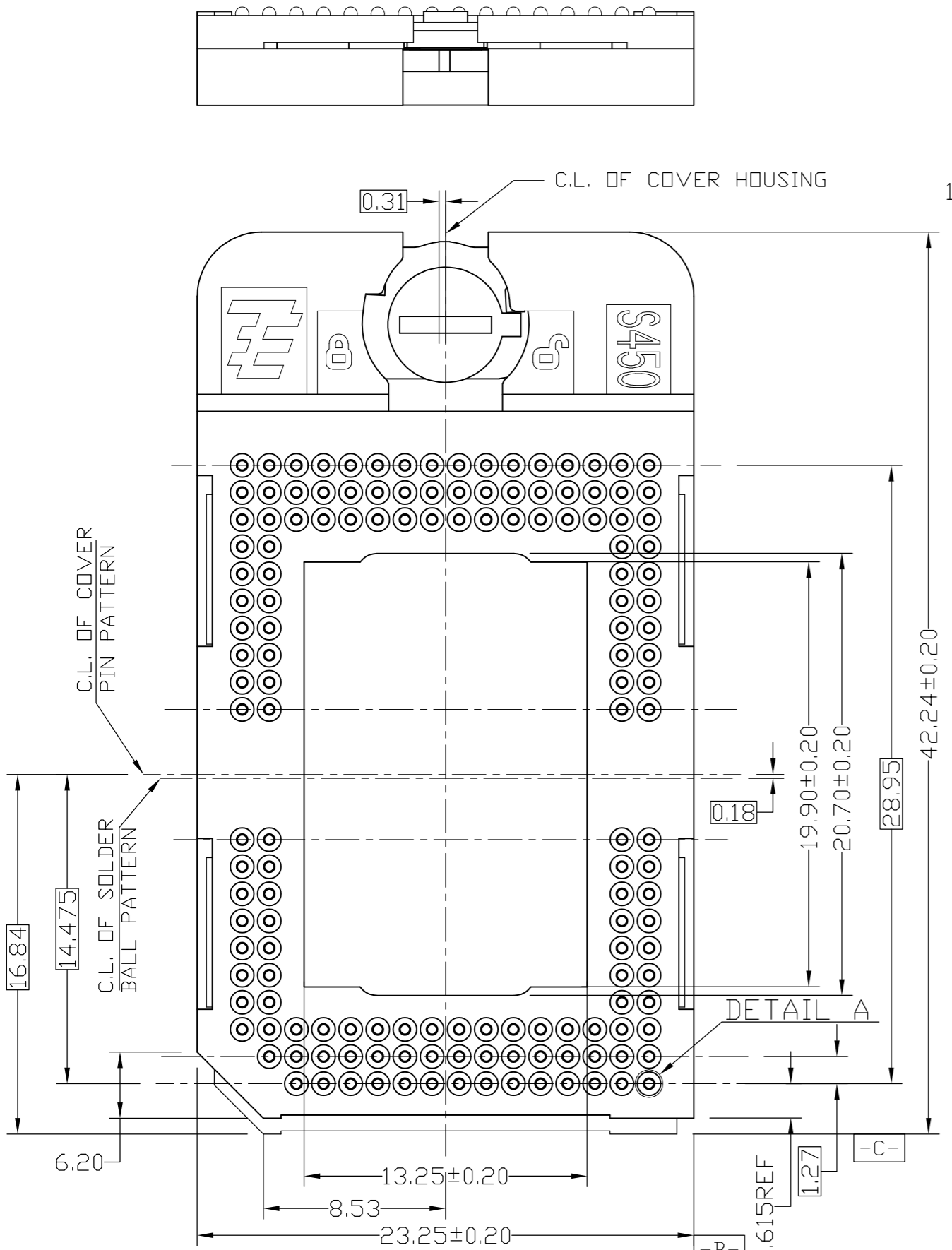
TRAY PACKAGE:AS SHOWN

THIS DRAWING IS A CONTROLLED DOCUMENT.		DWN	C.DING	02JUL08	
DIMENSIONS: mm		CHK	S.HASHIMOTO	02JUL08	
TOLERANCES UNLESS OTHERWISE SPECIFIED:		APVD	H.SHIRAI	02JUL08	
0 PLC ± 0.5 1 PLC ± 0.5 2 PLC ± 0.3 3 PLC ± - 4 PLC ± - ANGLES ± 3°		PRODUCT SPEC	108-115011	NAME	
MATERIAL	FINISH	WEIGHT	-	SIZE	A2
1	2	CUSTOMER DRAWING	SCALE	CAGE CODE	00779
		SCALE	4:1	DRAWING NO	C=2069279
		SHEET	2 of 4	RESTRICTED TO	-
		REV	B4		

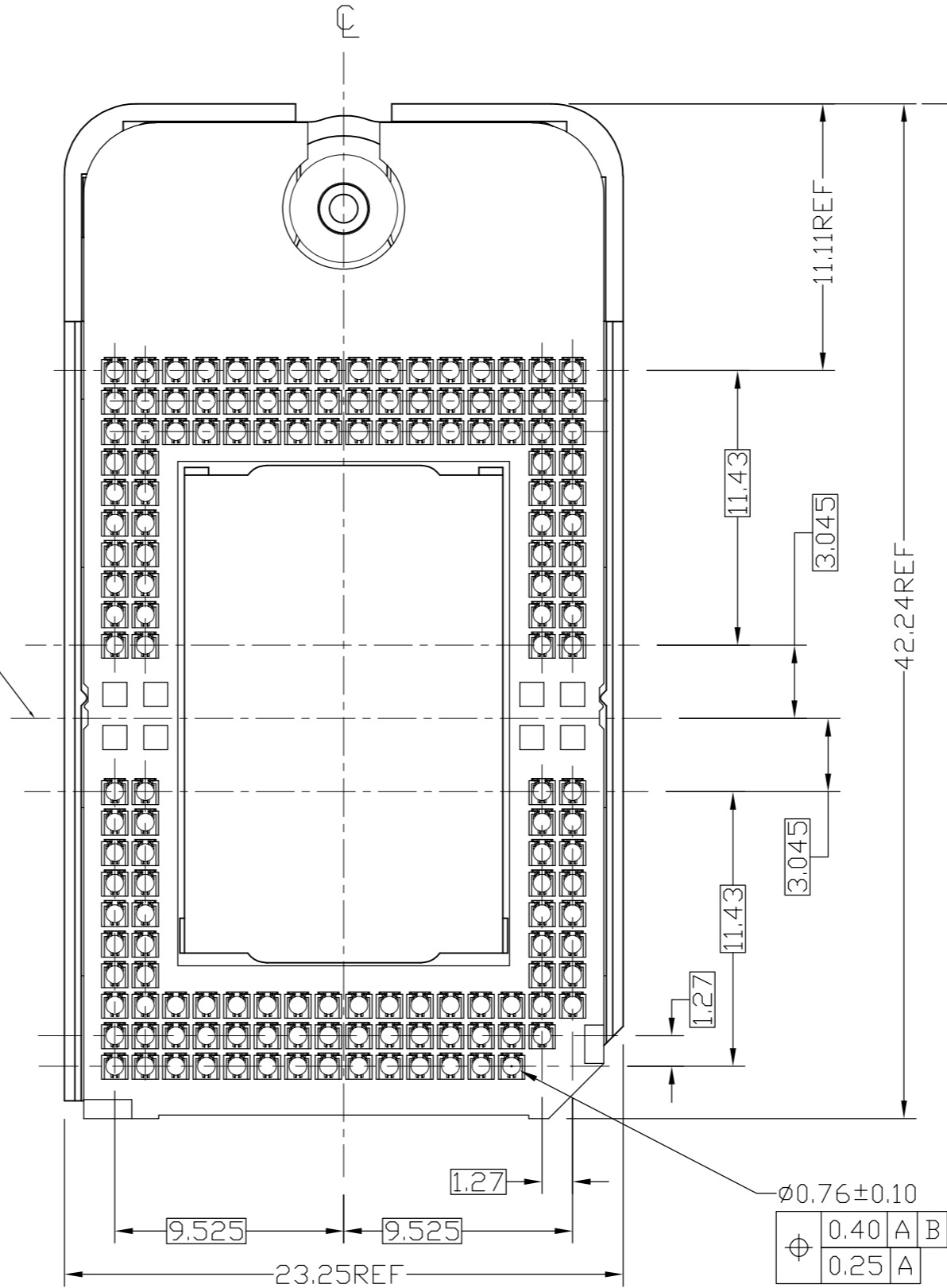
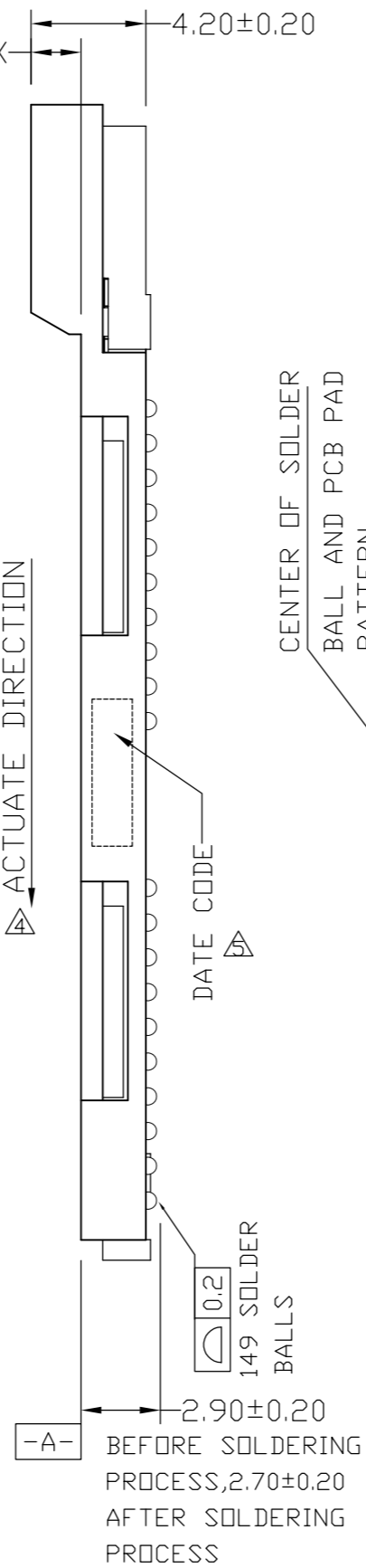
2069279

THIS DRAWING IS UNPUBLISHED. RELEASED FOR PUBLICATION
 © COPYRIGHT - By - ALL RIGHTS RESERVED.

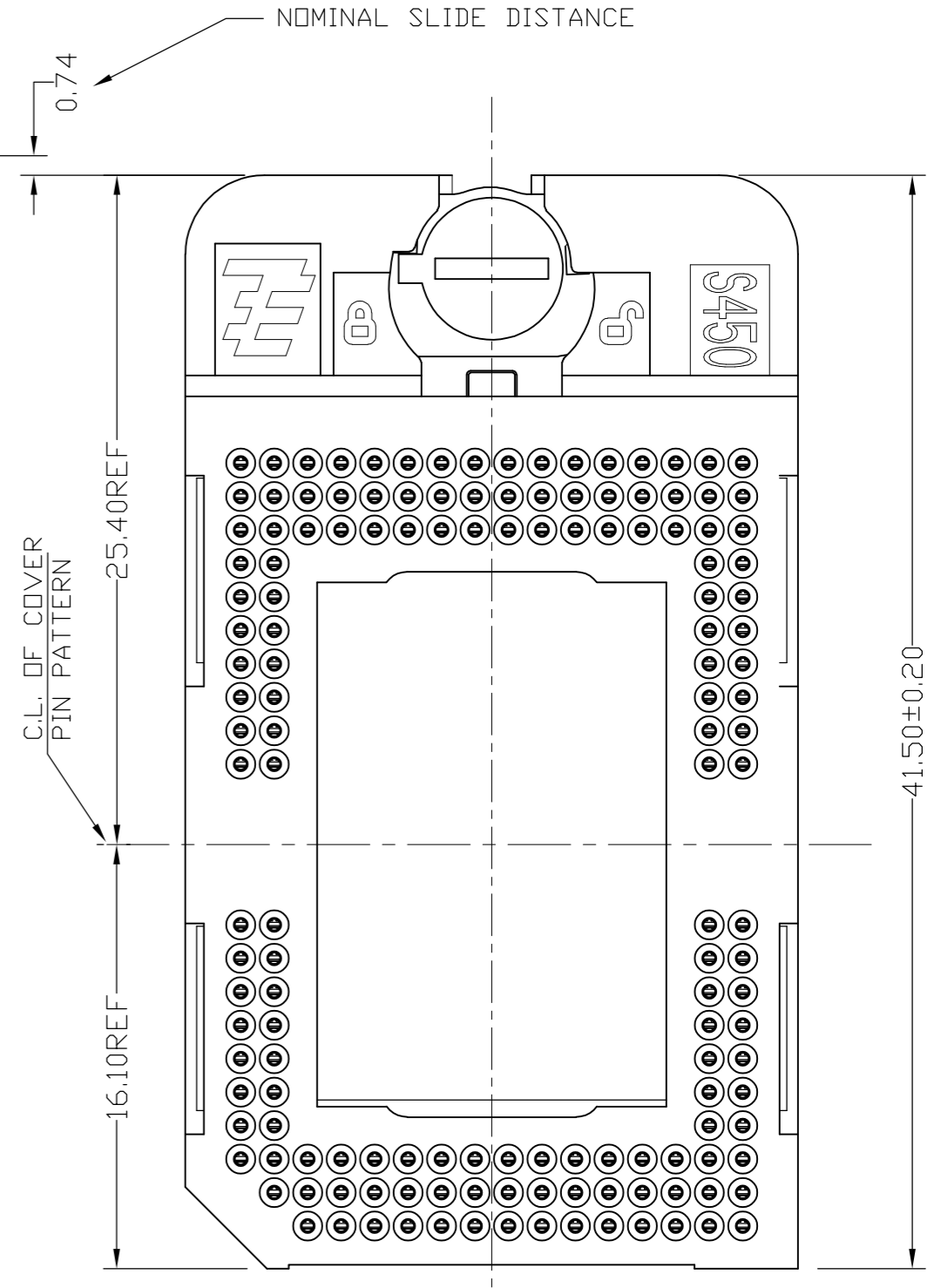
LOC		DIST		REVISIONS			
P	LTR	DESCRIPTION	DATE	DWN	APVD		
-	-	SEE SHEET 1	-	-	-	-	-



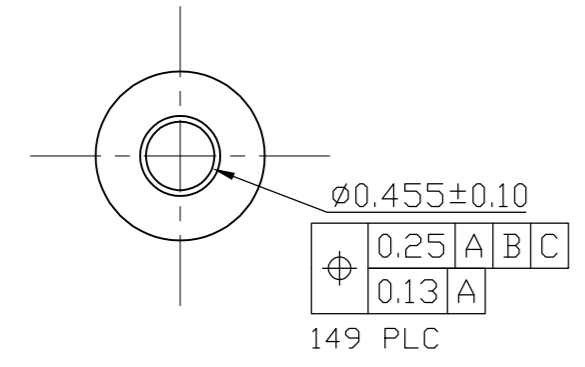
SHOW IN NON-ACTIVATED(OPEN) POSITION



SHOW IN NON-ACTIVATED(OPEN) POSITION



SHOW IN ACTIVATED(CLOSED) POSITION WITHOUT PACKAGE & PICK UP CAP

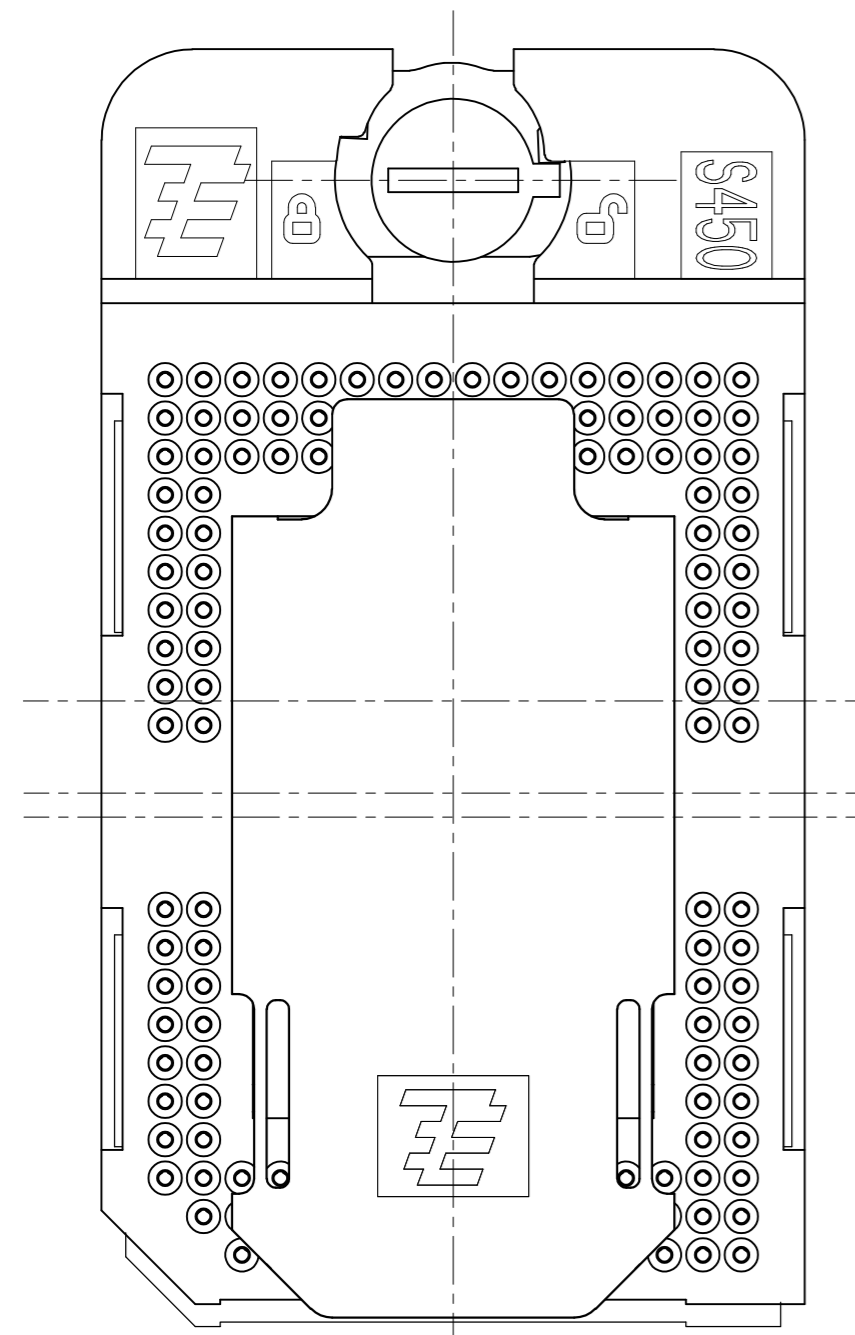


DETAIL A
SCALE 10:1

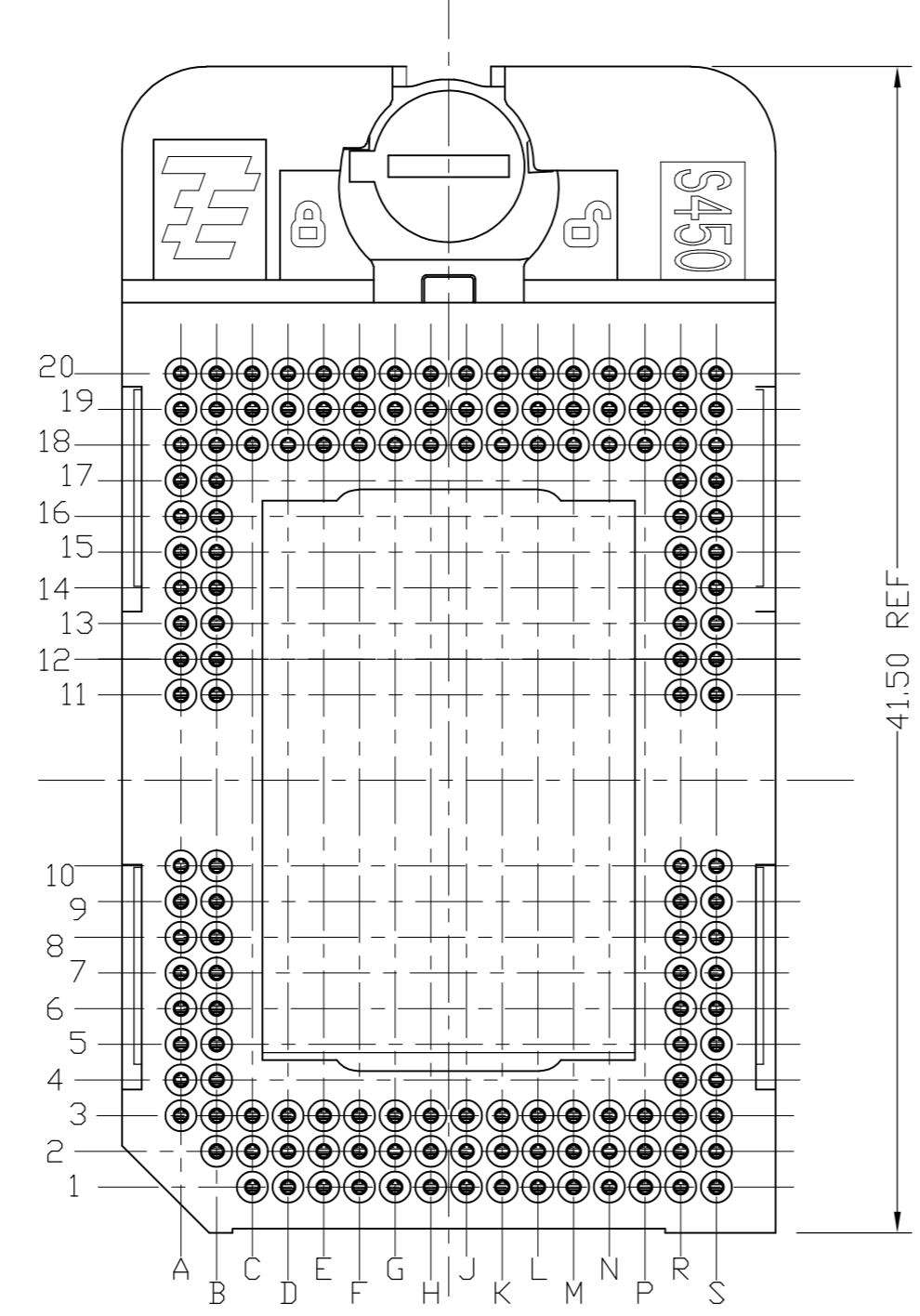
THIS DRAWING IS A CONTROLLED DOCUMENT.		DWN	TE Connectivity	
DIMENSIONS: mm		CHK	SOCKET ASS'Y WITH PACKAGE	
TOLERANCES UNLESS OTHERWISE SPECIFIED:		APVD	DMD 450 SOCKET	
0 PLC ± 0.3		PRODUCT SPEC	SIZE	CAGE CODE
1 PLC ± 0.3		APPLICATION SPEC	A2	00779
2 PLC ± 0.3		WEIGHT	DRAWING NO	C=2069279
3 PLC ± 0.3		CUSTOMER DRAWING	RESTRICTED TO	-
4 PLC ± -		SCALE	4:1	SHEET
ANGLES ± 3°		REV	B4	
FINISH				

THIS DRAWING IS UNPUBLISHED. RELEASED FOR PUBLICATION
 © COPYRIGHT - By - ALL RIGHTS RESERVED.

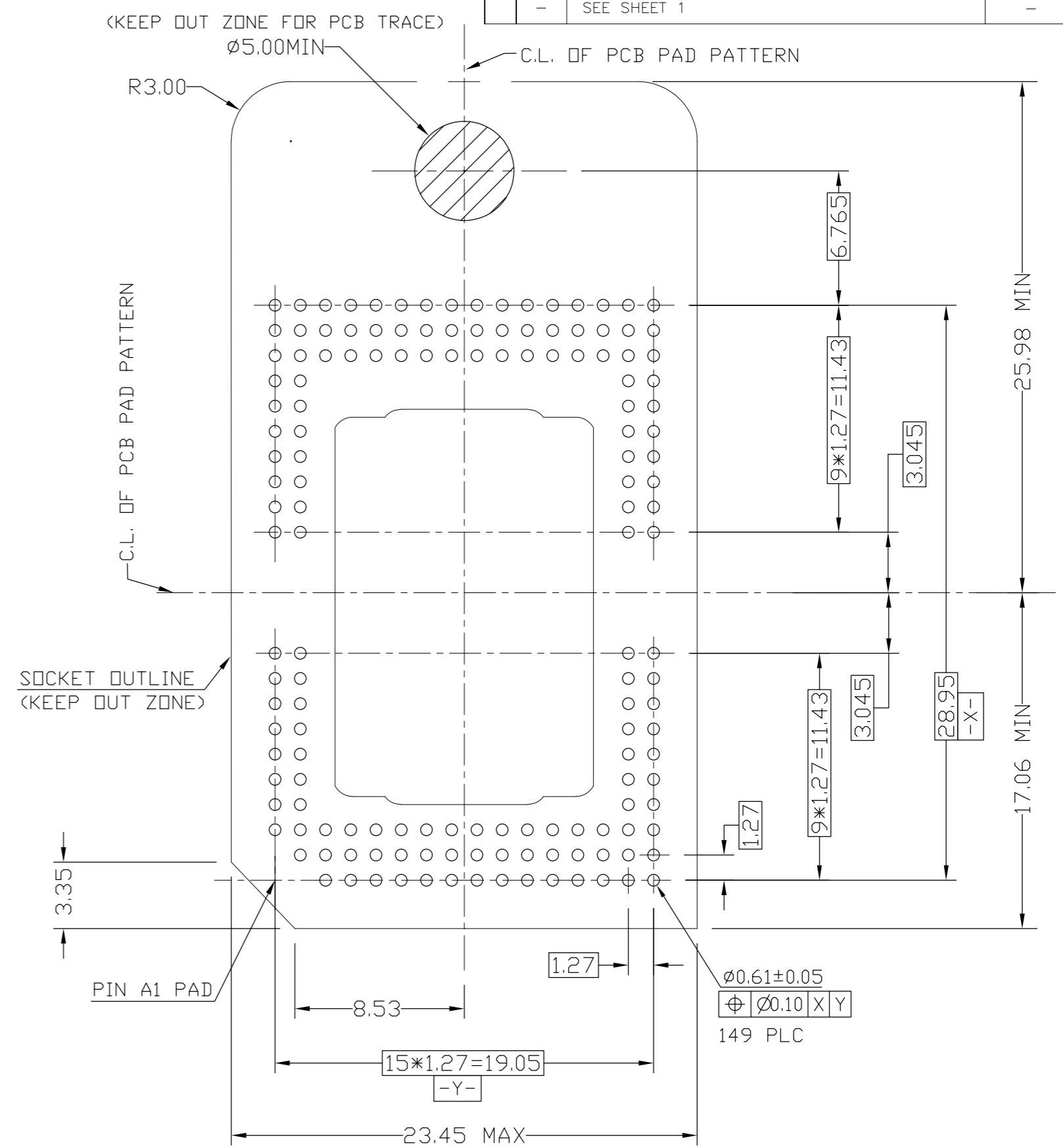
LOC	DIST	REVISIONS			
P	LTR	DESCRIPTION	DATE	DWN	APVD
ES	-	SEE SHEET 1	-	-	-



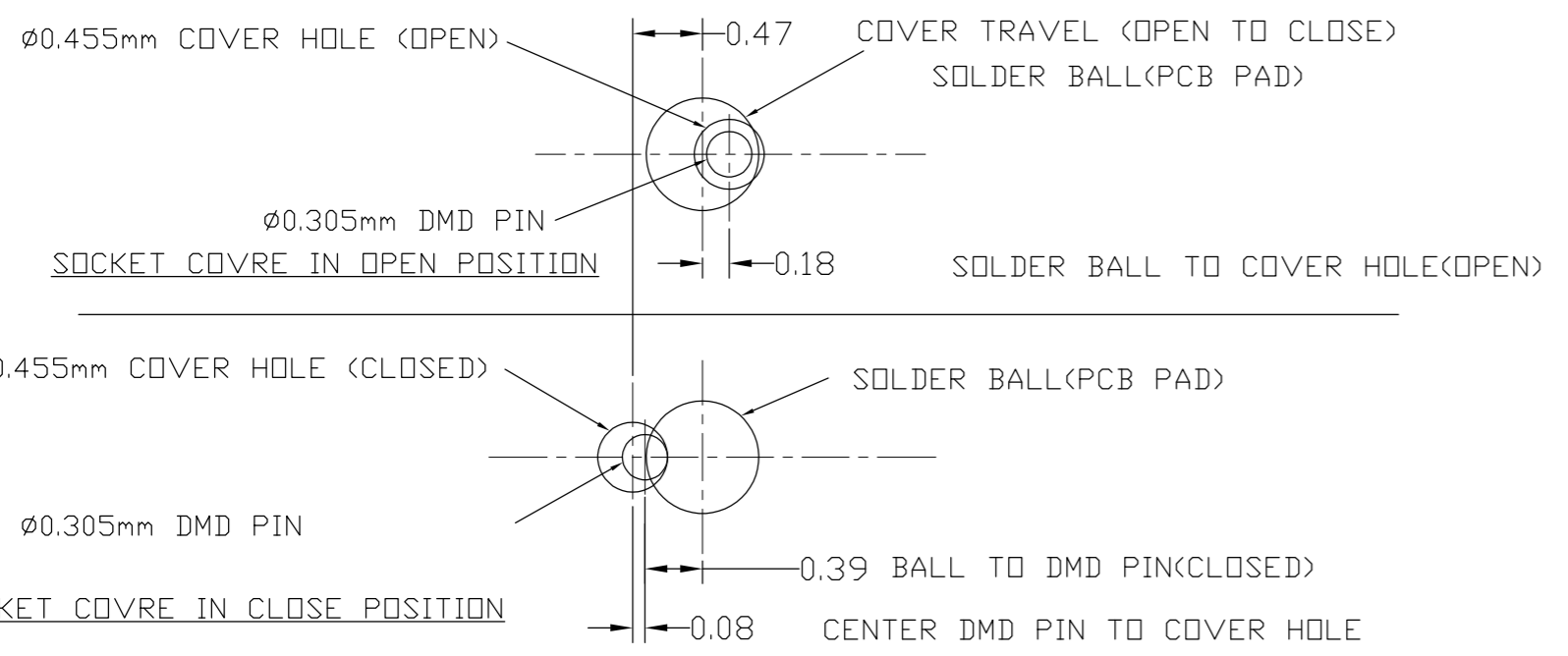
SHOW IN FINAL SHIPPING CONDITION
(SOCKET WITH PICK UP CAP TYPE)



SHOW IN ACTIVATED (CLOSED) POSITION
WITH CIRCUIT SYMBOLS



REFERENCE DIM. OF PC BOARD LAYOUT



SOCKET COVER & SOLDER BALL RELATED POSITION
ON OPEN & CLOSE POSITION (WITH CPU PACKAGE)

- NOTES:
- △ MATERIAL:
 - COVER HOUSING:HIGH TEMPERATURE THERMO-PLASTIC UL94V-0,COLOR:WHITE
 - BASE HOUSING:HIGH TEMPERATURE THERMO-PLASTIC UL94V-0,COLOR:BLACK.
 - M-PGA-PICK UP CAP:HIGH TEMPERATURE THERMO-PLASTIC UL94V-0,COLOR:BLACK.
 - CONTACT:COPPER ALLOY
 - COVER SUPPORT PLATE:STAINLESS STEEL.
 - BASE SUPPORT PLATE:STAINLESS STEEL.
 - CAM:STAINLESS STEEL.
 - WASHER:STAINLESS STEEL.
 - SOLDER BALL:Sn-Ag-Cu(Pb FREE),SPHERE:ø0.76±0.02mm.
 - △ FINISH:
 - GOLD PLATING AT PLATING AREA.
 - 3. USER INTERFACE
 - A) FLAT HEAD SCREW DRIVER TO ACTUATE
 - B) CLOCKWISE TO "LOCK",COUNTER-CLOCKWISE TO "OPEN"
 - C) 180 DEGREE BETWEEN "LOCK" AND "OPEN"
 - △ ACTUATION DIRECTION AS SHOWN.
 - △ DATE CODE AREA

THIS DRAWING IS A CONTROLLED DOCUMENT.		DWN	TE Connectivity	
DIMENSIONS: mm		CHK	NAME	
TOLERANCES UNLESS OTHERWISE SPECIFIED:		APVD	SOCKET ASS'Y WITH PACKAGE	
0 PLC ± 0.3		PRODUCT SPEC	DMD 450 SOCKET	
1 PLC ± 0.3		APPLICATION SPEC	SIZE	CAGE CODE
2 PLC ± 0.3		WEIGHT	A2	00779
3 PLC ± 0.3		CUSTOMER DRAWING	DRAWING NO	RESTRICTED TO
4 PLC ± -		SCALE	C=2069279	-
ANGLES ± 3°		SHEET	4	OF 4
FINISH		REV	B4	

单击下面可查看定价，库存，交付和生命周期等信息

[>>TE Connectivity\(泰科\)](#)