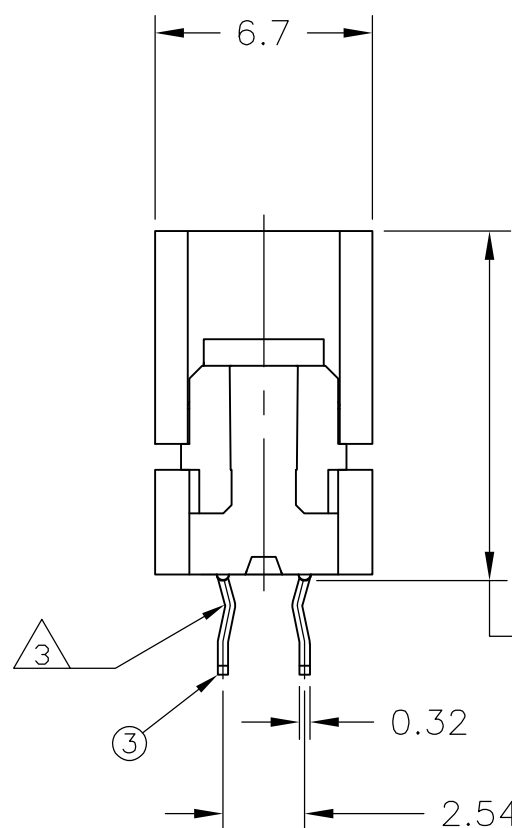
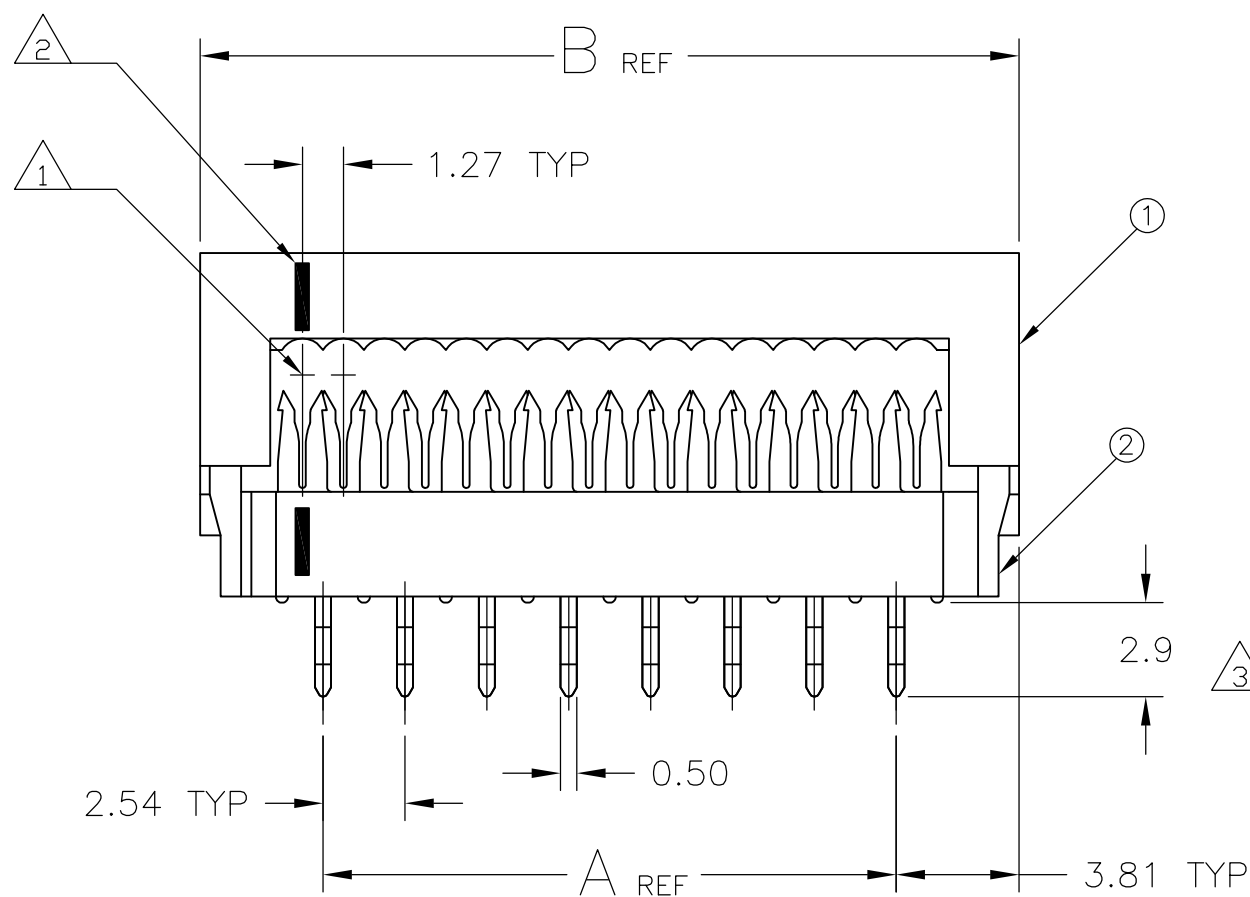


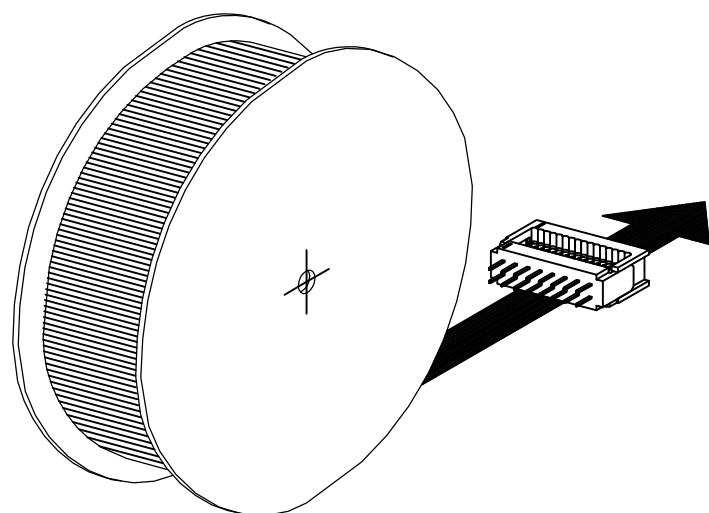
THIS DRAWING IS UNPUBLISHED. RELEASED FOR PUBLICATION
 © COPYRIGHT - By - ALL RIGHTS RESERVED.

LOC	DIST	REVISIONS					
GP	00	P	LTR	DESCRIPTION	DATE	DWN	APVD
			C3	REDRAWN PER ECO-11-017642	06JAN2012	CJV	CWR



CONNECTOR HEIGHT AFTER CABLE TERMINATION $\triangle 1$

- $\triangle 1$ CONNECTOR IS DESIGNED FOR FLAT RIBBON CABLE ON 1.27 CENTERS. FOR CABLE REQUIREMENTS SEE APPLICATION SPECIFICATION 114-19022.
- $\triangle 2$ INDICATION OF FIRST CABLE POSITION REFERRING TO CORRESPONDING CONTACT POSITION (BLACK INK MARKS)
- $\triangle 3$ SOLDER-TINES FOR 0.8±0.05 DIAMETER HOLES.
- $\triangle 4$ 3.0-5.1µm TIN WITH ENTIRE NICKEL UNDERCOATING.



1000	86.36	78.74	64	6-216792-4	
1000	81.28	73.66	60	6-216792-0	
1000	68.58	60.96	50	5-216792-0	
1500	60.96	53.34	44	4-216792-4	
1500	55.88	48.26	40	4-216792-0	
1500	48.26	40.64	34	3-216792-4	
1500	38.10	30.48	26	2-216792-6	
1500	30.48	22.86	20	2-216792-0	
1500	25.40	17.78	16	1-216792-6	
1500	22.86	15.24	14	1-216792-4	
1500	17.78	10.16	10	1-216792-0	
OBSELETE	1500	12.70	5.08	6	216792-6
QUANTITY PER REEL	B	A	NO. OF DUAL POS.	PART NUMBER	

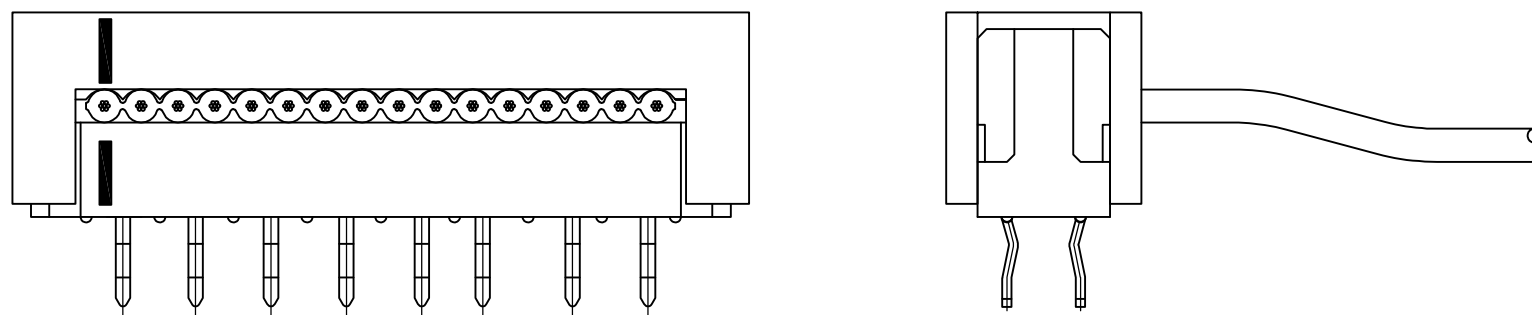
PLATING AND COLOR	MATERIAL	DESCRIPTION	ITEM NO.
$\triangle 4$	PHOSPHOR BRONZE	CONTACTS	3
GREY	THERMOPLASTIC POLYESTER	HOUSING AND COVER	2
GREY	THERMOPLASTIC POLYESTER	HOUSING	1

THIS DRAWING IS A CONTROLLED DOCUMENT.	
DIMENSIONS: mm	TOLERANCES UNLESS OTHERWISE SPECIFIED:
	0 PLC ± -
	1 PLC ± -
	2 PLC ± -
	3 PLC ± -
	4 PLC ± -
	ANGLES ± -
MATERIAL SEE TABLE	FINISH -

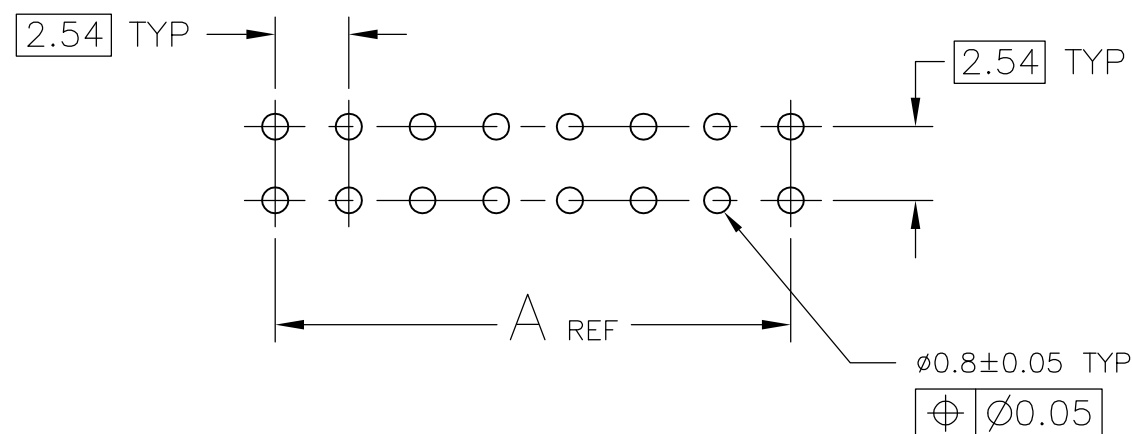
DWN C. VALENTINE 06JAN2012	STE TE Connectivity			
CHK C. ROHDE 06JAN2012				
APVD C. ROHDE 06JAN2012	NAME			
PRODUCT SPEC 108-19033	AMP LATCH 2.54 DIL-PLUG CONNECTOR, W/ RETENTION FEATURE, TAPE MOUNTED ON REEL			
APPLICATION SPEC	SIZE	CAGE CODE	DRAWING NO	RESTRICTED TO
WEIGHT -	A3	00779	C-216792	-
CUSTOMER DRAWING	SCALE NTS	SHEET 1 OF 2	REV C3	

THIS DRAWING IS UNPUBLISHED. RELEASED FOR PUBLICATION
 © COPYRIGHT - By - ALL RIGHTS RESERVED.

LOC	DIST	REVISIONS					
GP	00	P	LTR	DESCRIPTION	DATE	DWN	APVD
		-		SEE SHEET 1	-	-	-



RECOMMENDED PCB-HOLE PATTERN



THIS DRAWING IS A CONTROLLED DOCUMENT.		DWN	C. VALENTINE	06JAN2012	TE Connectivity					
DIMENSIONS: mm		CHK	C. ROHDE	06JAN2012				NAME AMP LATCH 2.54 DIL-PLUG CONNECTOR, W/ RETENTION FEATURE, TAPE MOUNTED ON REEL		
		APVD	C. ROHDE	06JAN2012						
TOLERANCES UNLESS OTHERWISE SPECIFIED: 0 PLC ± - 1 PLC ± - 2 PLC ± - 3 PLC ± - 4 PLC ± - ANGLES ± -		APPLICATION SPEC	-					SIZE	CAGE CODE	DRAWING NO
MATERIAL		FINISH		WEIGHT		A3 00779 C-216792		-		
-		-		-		CUSTOMER DRAWING		SCALE NTS	SHEET 2 OF 2	REV C3

单击下面可查看定价，库存，交付和生命周期等信息

[>>TE Connectivity\(泰科\)](#)