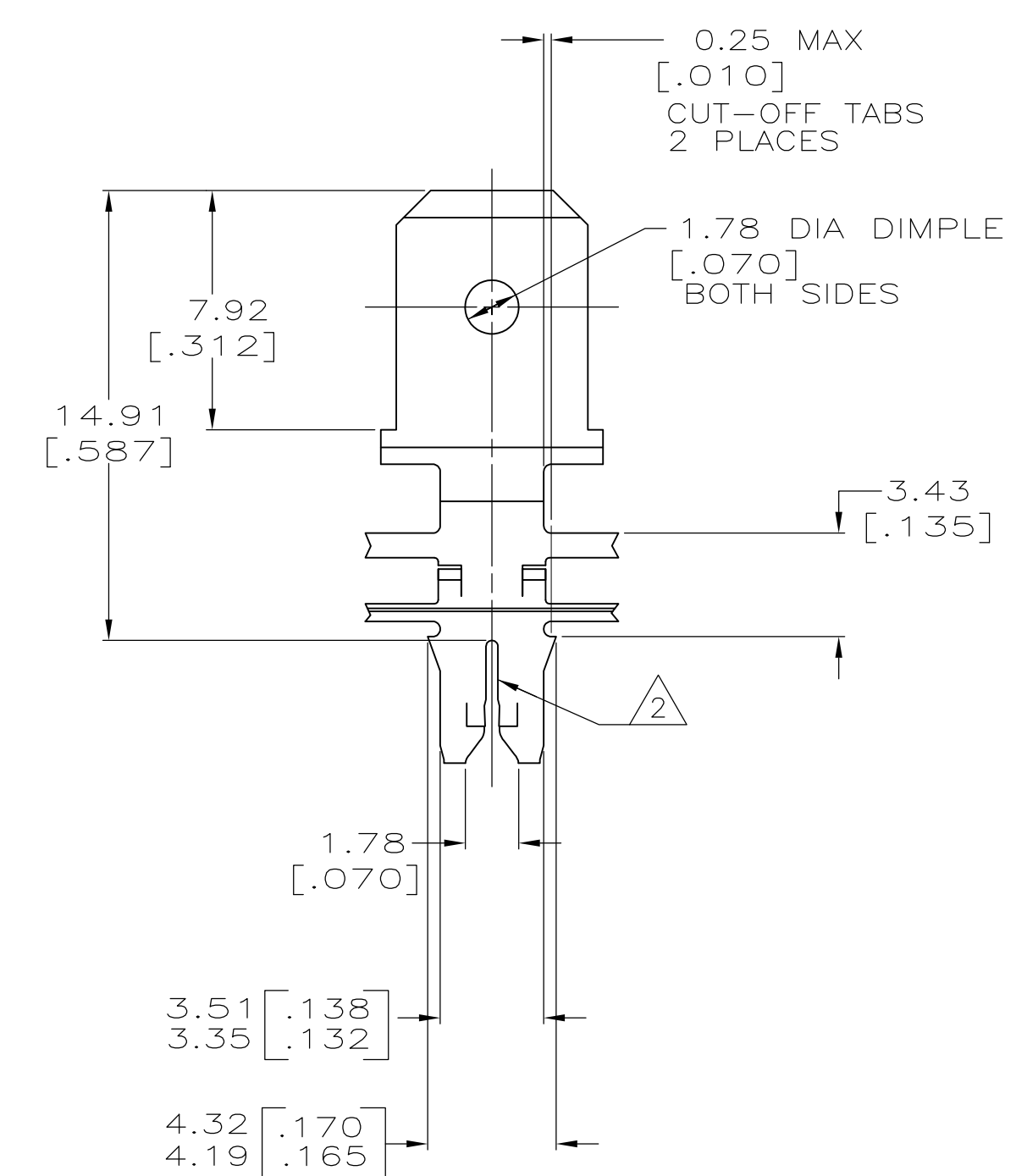
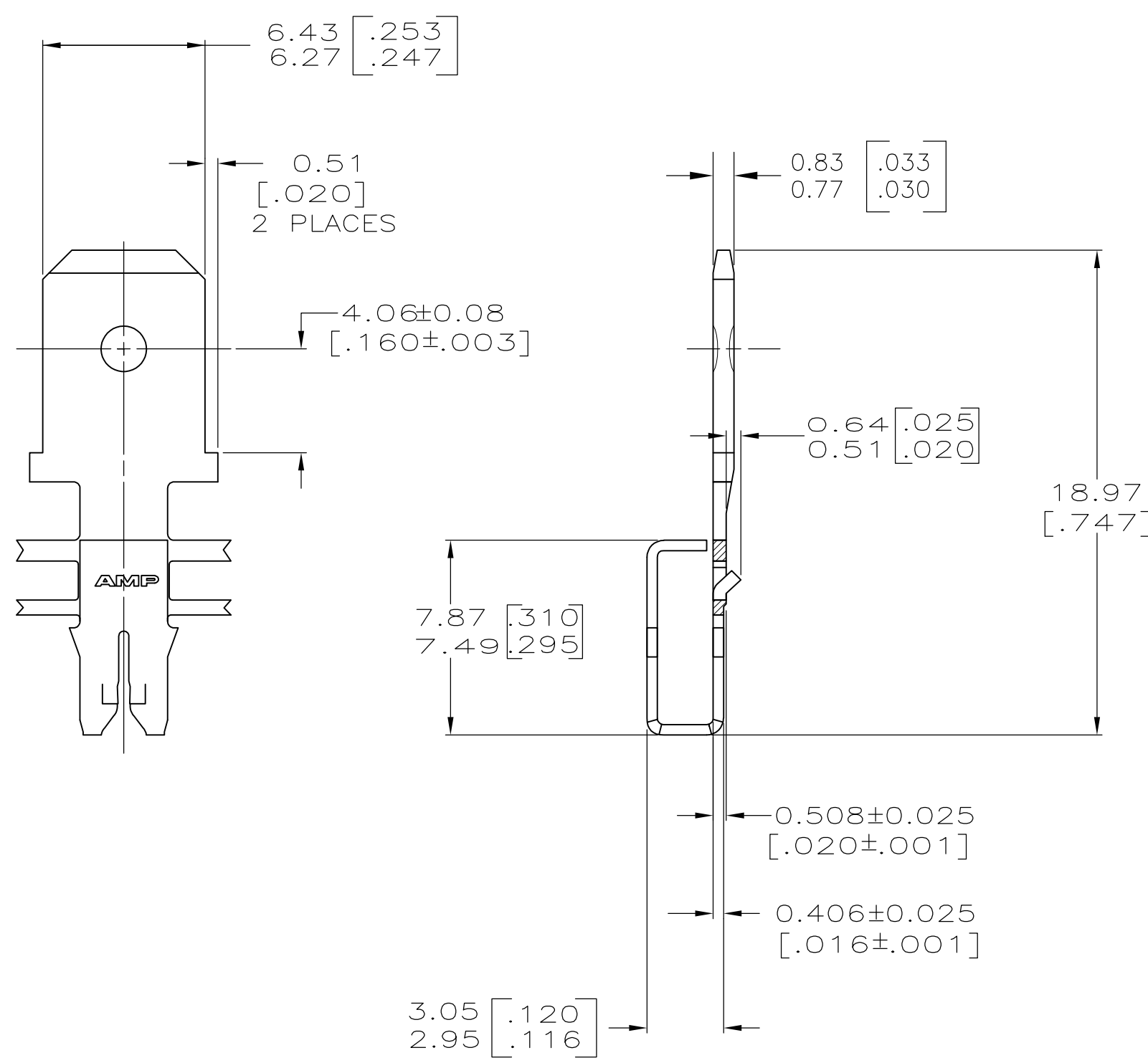


THIS DRAWING IS UNPUBLISHED. RELEASED FOR PUBLICATION
 © COPYRIGHT BY TYCO ELECTRONICS CORPORATION. ALL RIGHTS RESERVED.

LOC	DIST	REVISIONS		
AF	50	P	LTR	DESCRIPTION
				DATE
				DWN
				APVD
		B1	ECR-15-005665	10AUG2015
				BDA
				PKS



- 1 CONTINUOUS STRIP ON REELS WITH TERMINALS LOCATED ON 8.38±0.08 [.330±.003] CENTERS.
- 2 SLOT ACCEPTS A SINGLE COPPER MAGNET WIRE. WIRE RANGE: 0.57-0.81mm [#23-#20] AWG. SLOT ACCEPTS A SINGLE ALUMINUM WIRE. WIRE RANGE: 0.72-0.91mm [#21-#19] AWG. ALUMINUM WIRE RANGE APPLIES FOR POST-TIN PLATED VERSIONS ONLY.



1217870-1
PART NUMBER

THIS DRAWING IS A CONTROLLED DOCUMENT.		DWN MICHAEL S. FEHER 30AUG2002	TE connectivity	
DIMENSIONS: mm [INCHES]		CHK KURT A. RANDOLPH 30AUG2002		
TOLERANCES UNLESS OTHERWISE SPECIFIED:		APVD KURT A. RANDOLPH 30AUG2002	NAME KURT A. RANDOLPH	
0 PLC ± -		PRODUCT SPEC 108-2012		SIZE A2
1 PLC ± -		APPLICATION SPEC 114-2067		CAGE CODE 00779
2 PLC ± 0.25[.010]		WEIGHT -		DRAWING NO 1217870
3 PLC ± -		MATERIAL 082 PRE-MILLED		RESTRICTED TO -
4 PLC ± -		FINISH 0.002032[.000080]		SCALE 5:1
ANGLES ± - -		CUSTOMER DRAWING		SHEET 1 of 1
				REV B1

单击下面可查看定价，库存，交付和生命周期等信息

[>>TE Connectivity\(泰科\)](#)