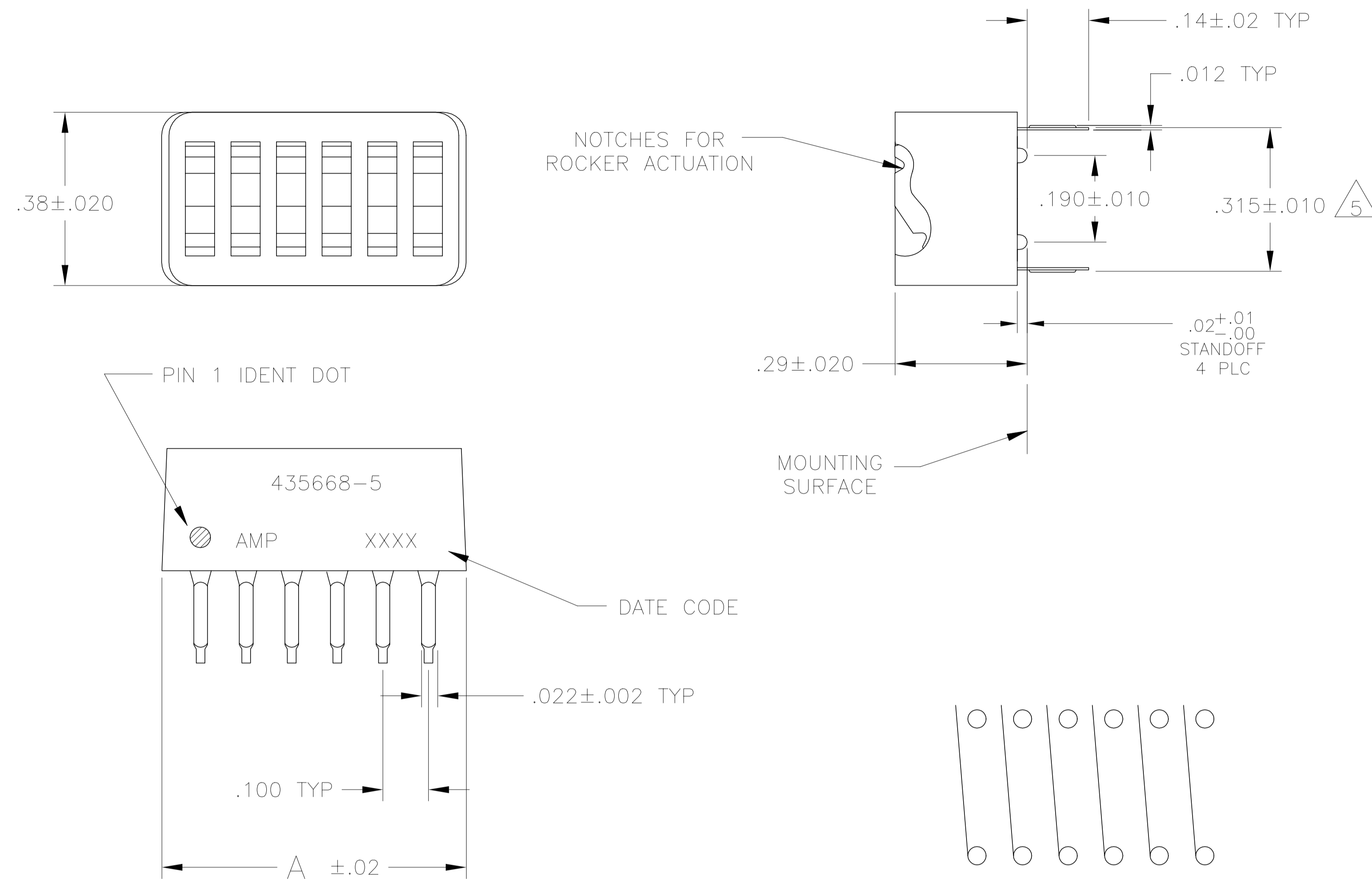


REVISIONS				
P	LTR	DESCRIPTION	DATE	APVD
B		ECO-20-004897	24AUG2020	SB JB



- FOR ADDITIONAL SPECIFICATIONS SEE AMP PRODUCT SPEC 108-7532.
- SWITCH SHOWN IN OPEN POSITION.
- ALL CHARACTERS AND ROCKERS ARE WHITE, HOUSING IS BLUE.
- LASER MARKING WILL VARY ON 2 AND 3 POSITION SIDES DUE TO SPACE RESTRICTIONS.
- .315 DIMENSION APPLIES AT TERMINAL TIPS. TERMINALS ARE .300 +.010 AT MOUNTING SURFACE. -.000
- ALL MATERIALS AND FINISHES SHALL COMPLY WITH EU DIRECTIVE 2002 /95/EC OF 27JAN2003 (ROHS).
- MATERIAL: HOUSING AND ROCKERS - POLYESTER CONTACT & SOLDER LEAD - COPPER ALLOY
- FINISH: CONTACT - GOLD OVER NICKEL SOLDER LEAD - TIN OVER NICKEL
- OBSOLETE PARTS: OBSOLETE CIS STREAMLINING PER D.RENAUD/D.SINISI
- MARKS WILL BE ADDED BY LASER MARK PROCESS.

C

B

A

CONTACT ARRANGEMENT

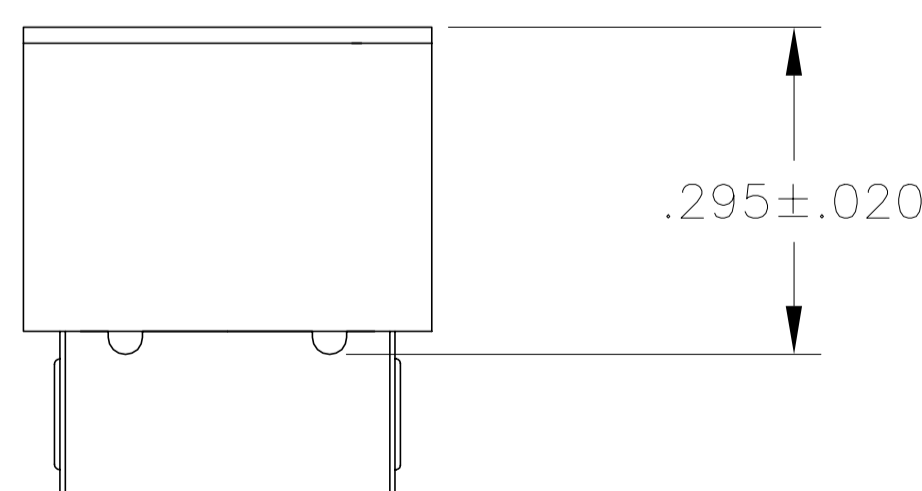
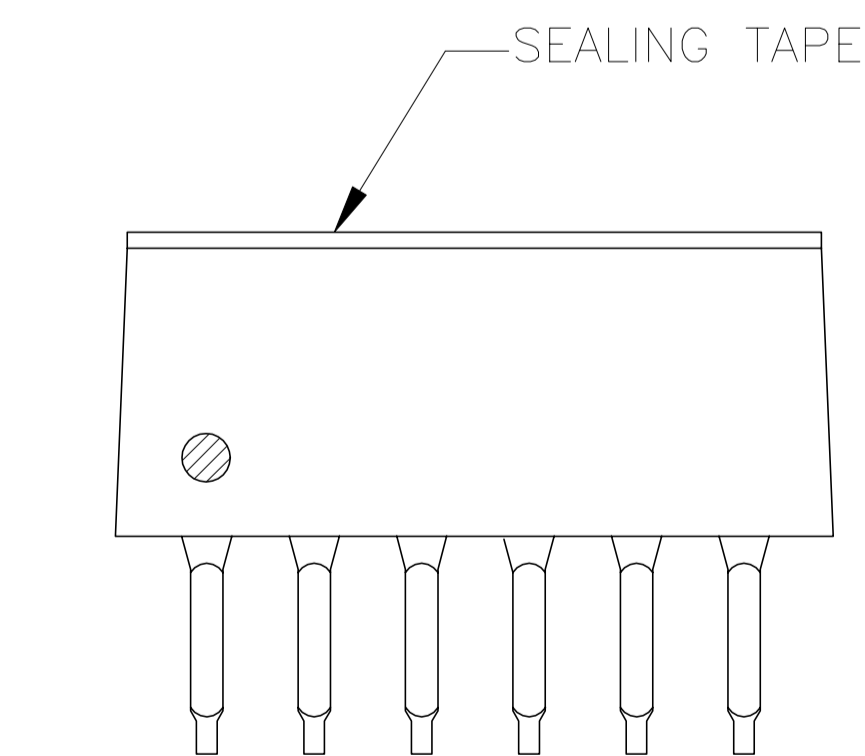
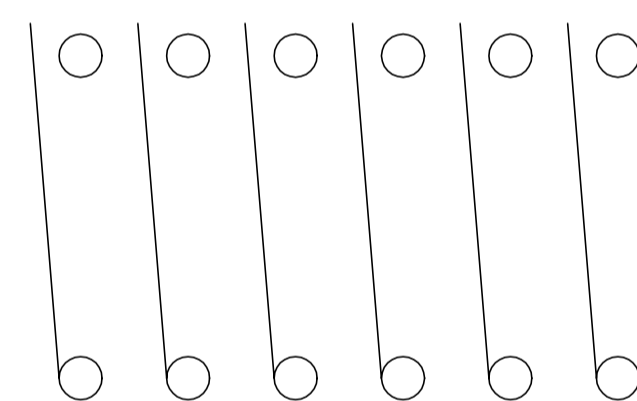


FIG 1

FIG	DESCRIPTION	DATE	BY	CHK	REV	QTY	REVISION
9	OBSOLETE	FIG 7					
FIG 1		.58	5				8-5435668-7
		.58	5				3-5435668-5
		.48	4				3-5435668-4
		.38	3				3-5435668-3
		1.28	12				3-5435668-2
		1.18	11				3-5435668-1
		1.08	10				3-5435668-0
		.98	9				2-5435668-9
		.88	8				2-5435668-8
		.78	7				2-5435668-7
FIG 2		.28	2				2-5435668-6
		.68	6				2-5435668-5
		1.08	10				5435668-9
		.88	8				5435668-7
		.68	6				5435668-5
		.58	5				5435668-4
		.48	4				5435668-3
		.28	2				5435668-1
	9	OBSOLETE					

THIS DRAWING IS A CONTROLLED DOCUMENT.		DWN BSV	08JAN05	TE TE Connectivity Ltd.	
DIMENSIONS: INCHES		CHK -	APVD -		
TOLERANCES UNLESS OTHERWISE SPECIFIED:		PRODUCT SPEC		NAME	
0 PLC ± -		APPLICATION SPEC		SWITCH ASSY, DIP, TYPE C, 7100 SERIES, SPST, LOW PROFILE	
1 PLC ± -		WEIGHT		SIZE	
2 PLC ± -		A2		CAGE CODE	
3 PLC ± .005		00779		DRAWING NO	
4 PLC ± -		C=5435668		RESTRICTED TO	
ANGLES ± -		CUSTOMER DRAWING		SCALE	
FINISH		4:1		SHEET	
7		8		1 OF 2	
				REV	
				B	

5435668

B

A

REVISIONS					
P	LTR	DESCRIPTION	DATE	DWN	APVD
-	-	SEE SHEET 1	-	-	-

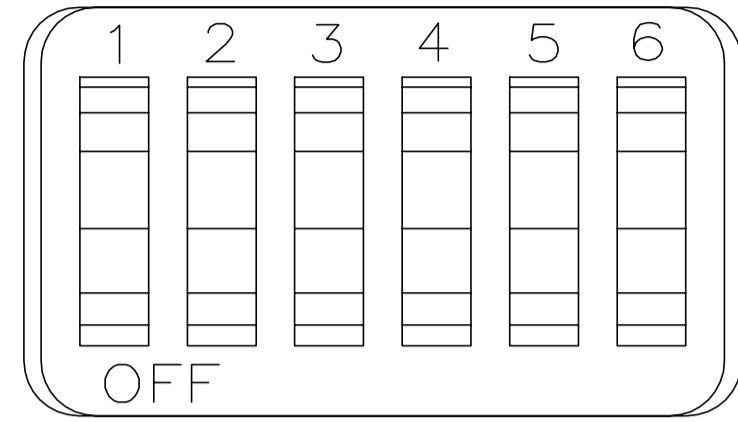


FIG 2

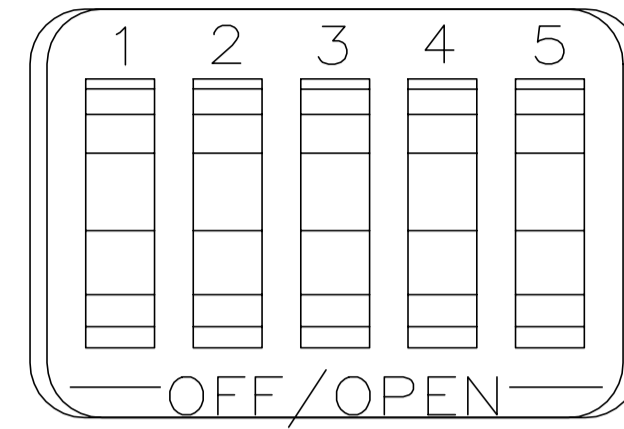


FIG 7


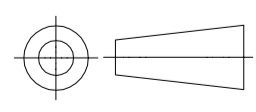
D

C

B

A

5435668

THIS DRAWING IS A CONTROLLED DOCUMENT.		DWN BSV	08JAND05	 TE Connectivity Ltd.	
DIMENSIONS: INCHES		CHK	-		
		TOLERANCES UNLESS OTHERWISE SPECIFIED:		NAME	
		0 PLC ± -	APVD -	SWITCH ASSY, DIP, TYPE C, 7100 SERIES, SPST, LOW PROFILE	
		1 PLC ± -	PRODUCT SPEC	-	
		2 PLC ± -	APPLICATION SPEC	-	
MATERIAL		3 PLC ± .005	WEIGHT	SIZE	CAGE CODE
-		4 PLC ± -	-	A2	00779
FINISH		ANGLES ± -	-	DRAWING NO	RESTRICTED TO
-		-	-	C=5435668	-
CUSTOMER DRAWING			SCALE	SHEET	REV
-			4:1	2 of 2	B

单击下面可查看定价，库存，交付和生命周期等信息

[>>TE Connectivity\(泰科\)](#)