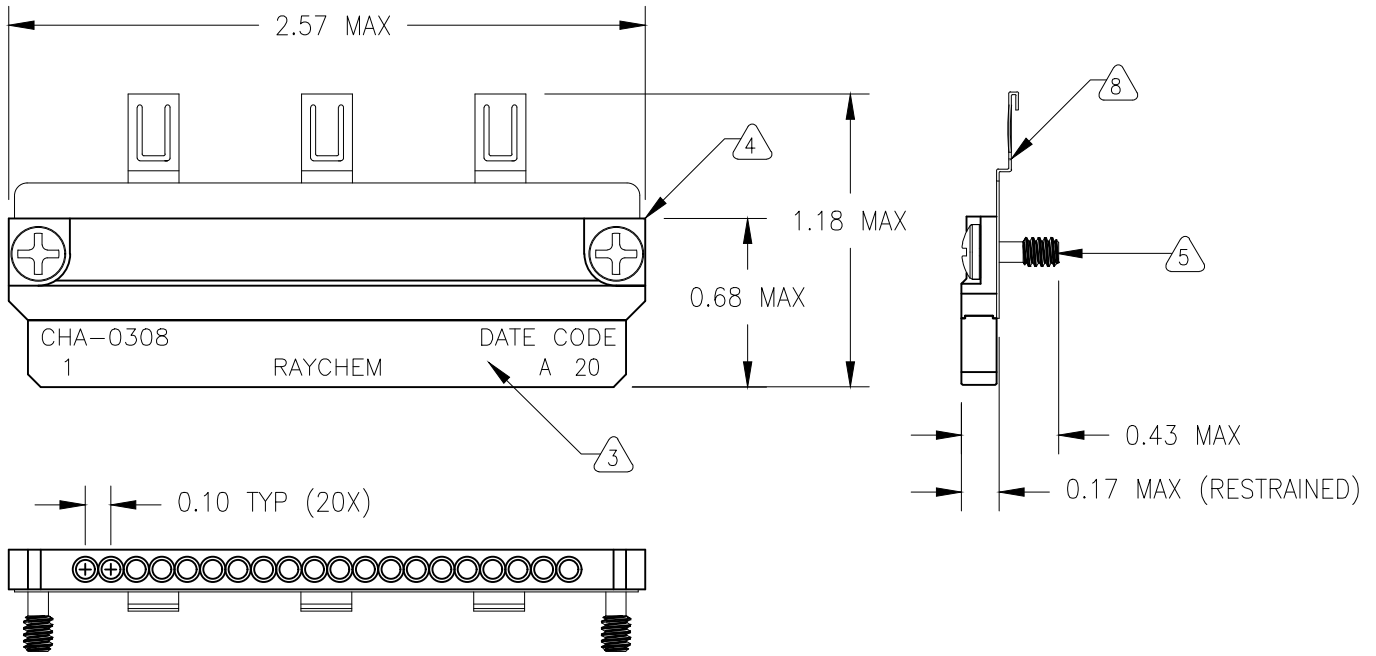


		REVISION	
REV	DESCRIPTION		DATE
G	REVISED PER ECO-18-008206		29MAY2018



Notes:

1. Application: Electroless Nickel MTC SH2 Plug Shells
2. For Use With MIL-C 39029/58-360, Size 22 Contacts
3. End Cap: Glass Filled Nylon, Flame Retardant, Black
4. Main Body: Aluminum, Electroless Nickel Plated
5. Screws: 4-40 Phillips Head, Stainless Steel 302, Passivated, Captive, Self-Locking. Alternative material A-286
6. Electrical Contacts: Brass / Beryllium Copper, Gold Plated
7. Markings: High Contrast Ink
8. Bus Bar, Beryllium Copper, Electroless Nickel Plated
9. Meets Raychem Specification C-6114 Requirements
10. Contact Cavity Bore Dia, Plated: .0685/0690 (REF)

© 2004 TYCO ELECTRONICS CORPORATION. ALL RIGHTS RESERVED.

SPECIFICATION CONTROL DRAWING

UNLESS OTHERWISE SPECIFIED DIMENSIONS ARE INCHES. METRIC DIMENSIONS ARE IN BRACKETS.	DRAWN	DATE		TYCO ELECTRONICS 300 CONSTITUTION DRIVE MENLO PARK, CA 94025	Raychem
	T RATZLAFF	26MAR2004			
DECIMAL TOLERANCES .XXX ± 0.005 [0.13 mm] .XX ± 0.010 [0.25 mm] .X ± 0.020 [0.50 mm]	SEE NOTES		TITLE 2-INCH MTC GROUNDING BLOCK WITH FINGERS		
ANGLE TOLERANCE .X ± 0.5 DEG.	SEE NOTES				
WEIGHT (NOM) LBS. 0.0216 [9.8 gm]	THIRD ANGLE PROJECTION		SIZE A	CAGE CODE 06090	DWG. NO. CHA-0308
CAD FILE	C041090.DWG		Downloaded From Oneyac.com		DO NOT SCALE THIS DRAWING SHEET 1 OF 1

单击下面可查看定价，库存，交付和生命周期等信息

[>>TE Connectivity\(泰科\)](#)