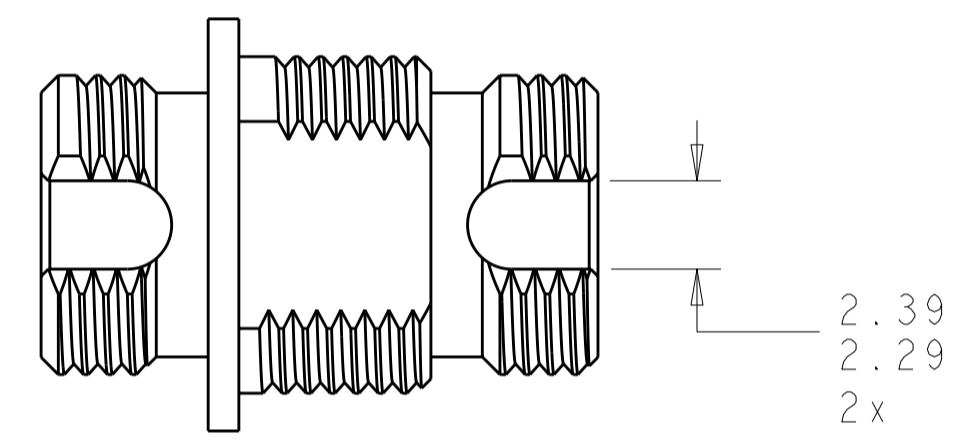
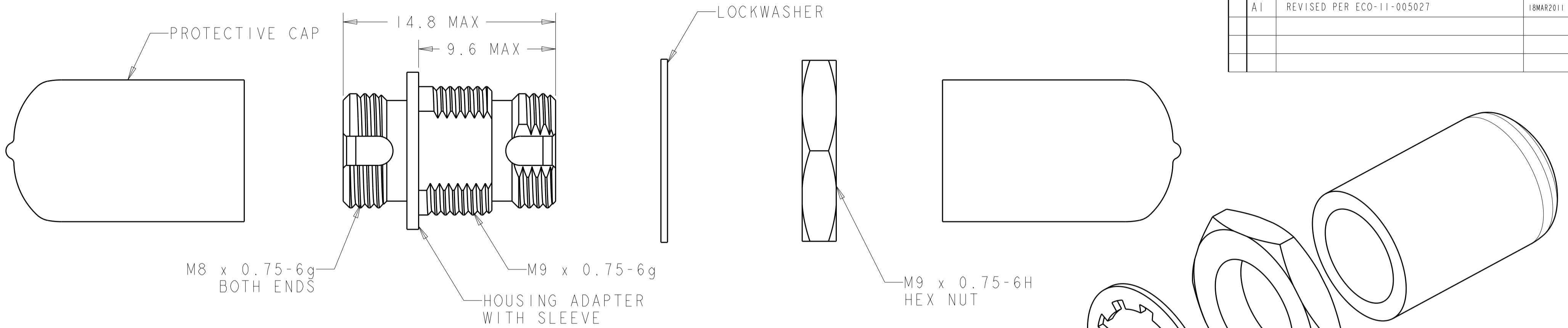
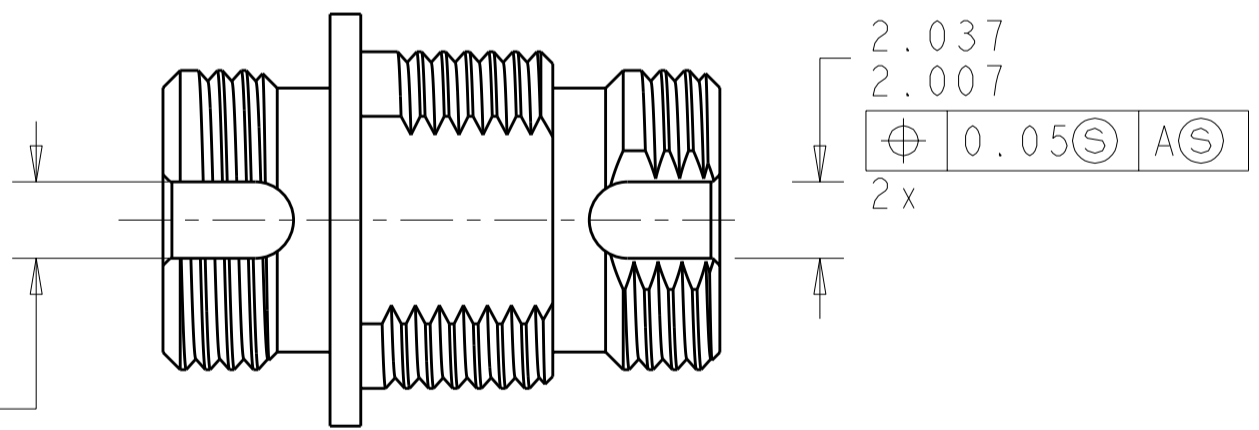


THIS DRAWING IS UNPUBLISHED. RELEASED FOR PUBLICATION 20
 © COPYRIGHT 20 BY - ALL RIGHTS RESERVED.

REVISIONS				DATE	DWN	APVD
P	LTR	DESCRIPTION				
	AI	REVISED PER ECO-11-005027	18MAR2011	RK	HMR	

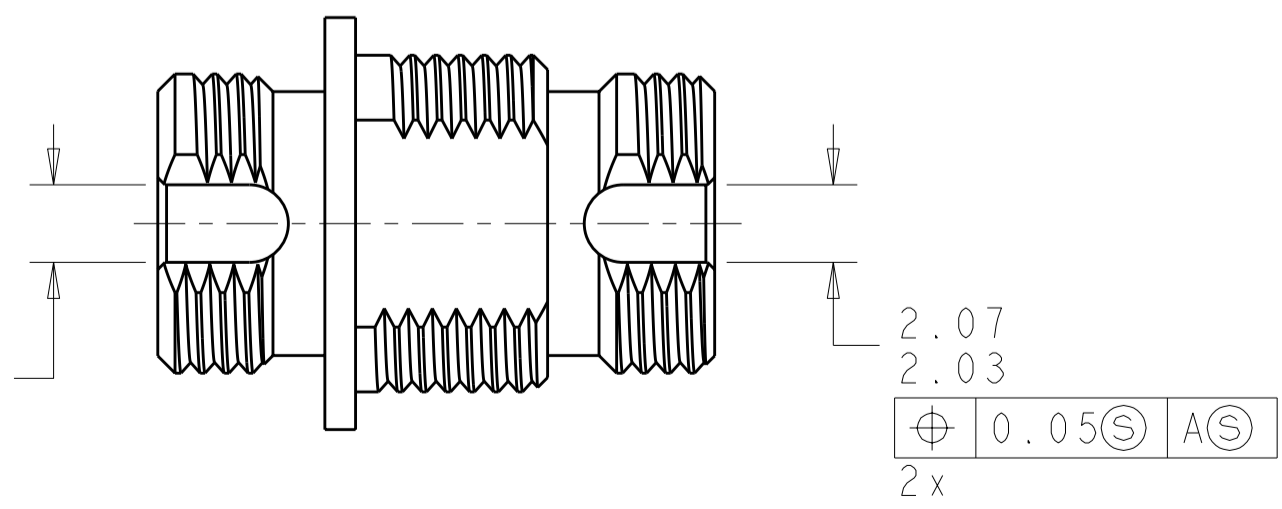


STANDARD SLOT



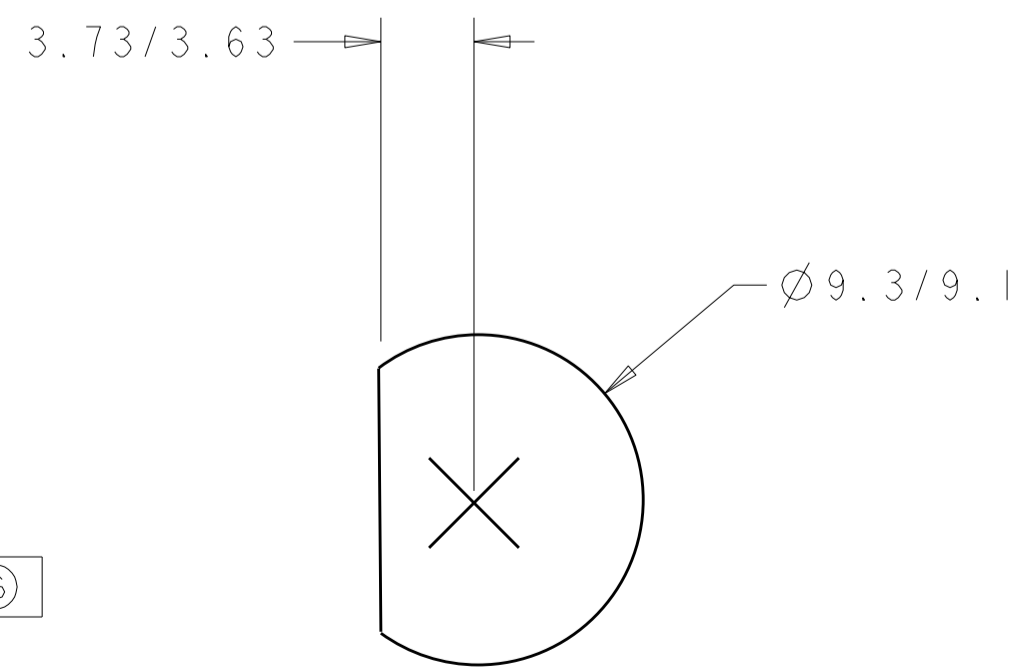
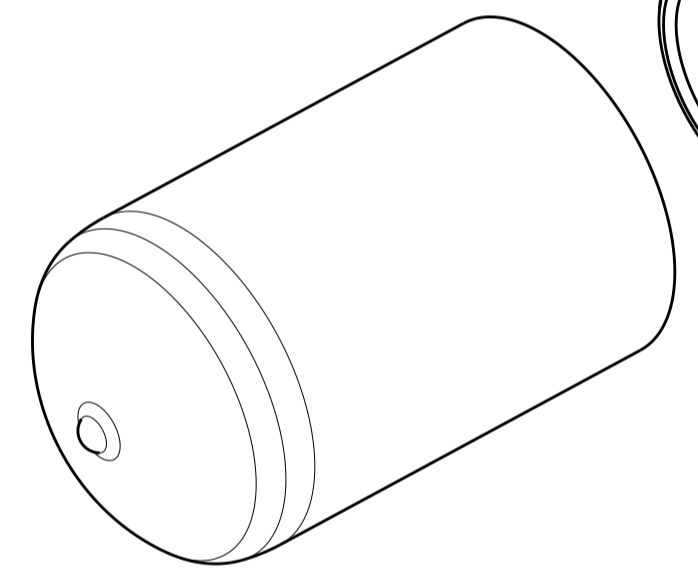
PRECISION SLOT (2.02)

-A-



PRECISION SLOT (2.05)

-A-



SUGGESTED PANEL CUTOUT
 MAX. PANEL THICKNESS 1.65

1 MATERIAL:
 HOUSING, INSERT, HEX NUT: BRASS, NICKEL PLATED.
 SLEEVE: SEE TABLE.
 LOCK WASHER: STEEL, NICKEL PLATED.
 PROTECTIVE CAP: PVC, NON-FR.

2 BULK PACKAGE.

DESCRIPTION	SLEEVE MATERIAL	PART NUMBER
PRECISION SLOT (2.05)	ZIRCONIA (LOW LOSS)	1-5504407-2
2 PRECISION SLOT (2.05)	ZIRCONIA	5504407-9
PRECISION SLOT (2.05)	ZIRCONIA	5504407-8
PRECISION SLOT (2.02)	ZIRCONIA	5504407-7
2 PRECISION SLOT (2.02)	ZIRCONIA	5504407-6
2 STANDARD SLOT	ZIRCONIA	5504407-4
2 STANDARD SLOT	ZIRCONIA	5504407-3
2 STANDARD SLOT	PHOS BRONZE	5504407-2
2 STANDARD SLOT	PHOS BRONZE	5504407-1

THIS DRAWING IS A CONTROLLED DOCUMENT.		DWN B. BRIGGS 19JUL2005	TE Connectivity	
DIMENSIONS: mm		CHK S. BUCHTER 19JUL2005		
TOLERANCES UNLESS OTHERWISE SPECIFIED:		APVD S. BUCHTER 19JUL2005	NAME ADAPTER KIT, FC, PRECISION AND STANDARD SLOT	
0 PLC ±		PRODUCT SPEC	SIZE CAGE CODE DRAWING NO RESTRICTED TO	
1 PLC ±		APPLICATION SPEC	A200779C-5504407	
2 PLC ±0.25		WEIGHT	SCALE 5:1 SHEET OF 1 REV AI	
3 PLC ±		CUSTOMER DRAWING		
4 PLC ±				
ANGLES ±				
FINISH				

单击下面可查看定价，库存，交付和生命周期等信息

[>>TE Connectivity\(泰科\)](#)