

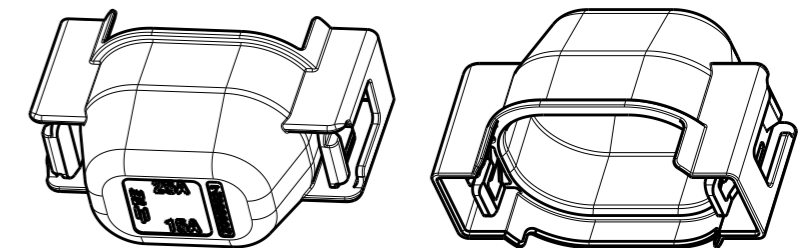
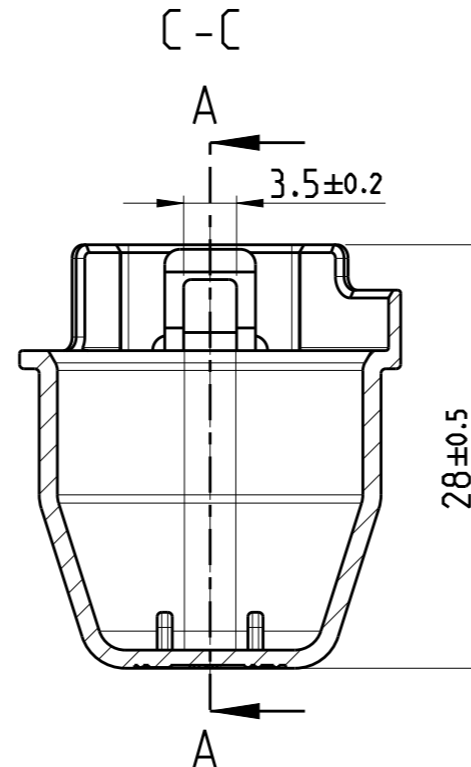
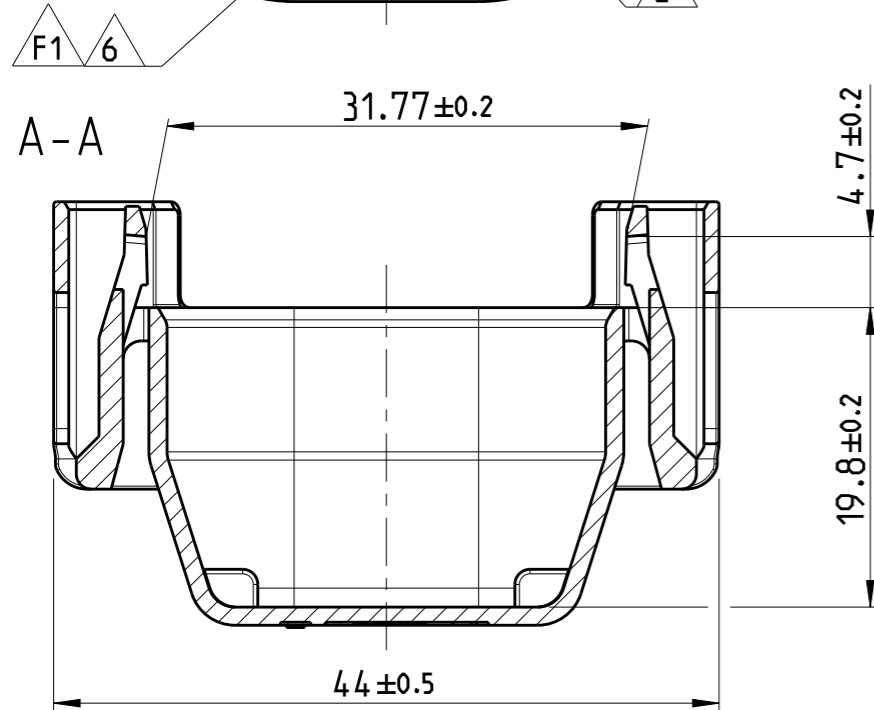
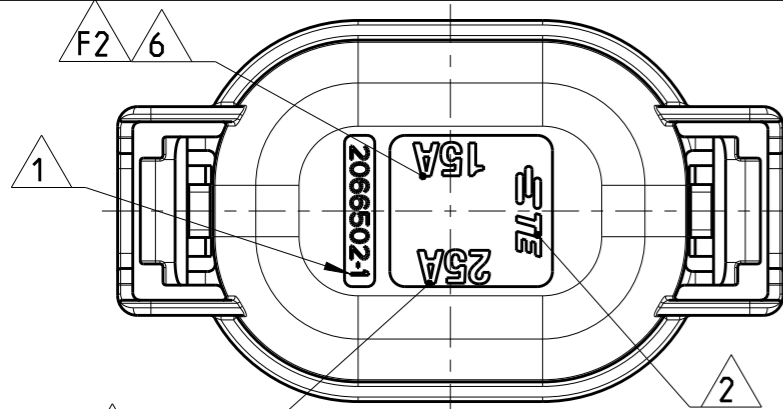
LOC IT  
DIST -

REVISIONS

P	LTR	DESCRIPTION	DATE	DWN	APVD
A1		ECR-14-010210	08JULY2014	KG	RK
A2		ECR-16-015264	02NOV2016	CS	VVB
A3		ECR-17-002833	27FEB2017	CS	VVB
B		ECR-19-014414	16SEP2019	STK	VVB

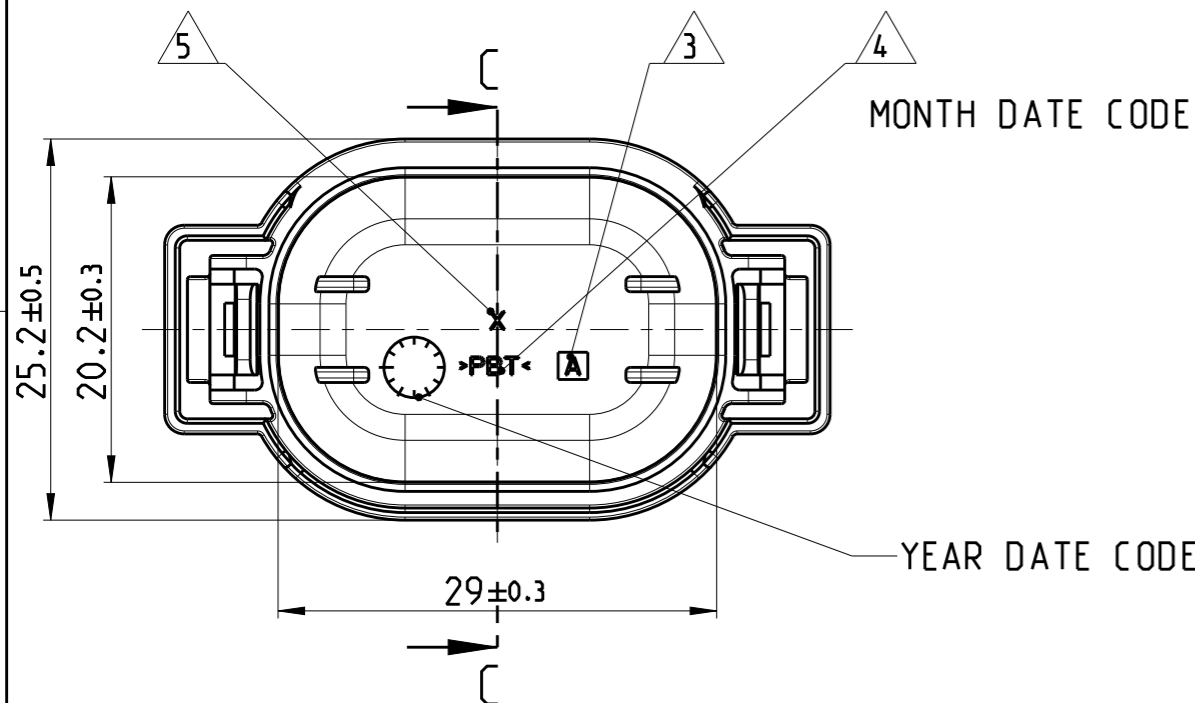
TABLE 1  
FUSE CURRENT MATRIX

PART NO.	2066502-1 1-2066502-1	2066502-2 1-2066502-2	2066502-3 1-2066502-3	2066502-4 1-2066502-4
F1	25A	25A	-	15A
F2	15A	10A	-	10A



- 1 TE PART NO.
- 2 TE TRADEMARK
- 3 PART REVISION INDEX
- 4 MATERIAL IDENTIFICATION
- 5 MOLD CAVITY IDENTIFICATION NUMBER
- 6 MARKING FOR CURRENT RATING
- 7 15% MAX. PERMITTED REGRIND MATERIAL, PROCESSED IN CLOSED LOOP.

8. DRAWING SHOWN FOR P/N: 2066502-1. REFER TABLE 1 FOR DETAILS REGARDING OTHER PART NUMBERS.



2066502-1  
AS SHOWN

1-2066502-4	A	COVER, MINI FUSE 2POS.	PBT(Source 2)	5	BLACK	8
1-2066502-3	A	COVER, MINI FUSE 2POS.		5	BLACK	7
1-2066502-2	A	COVER, MINI FUSE 2POS.		5	GRAY	6
1-2066502-1	A	COVER, MINI FUSE 2POS.		5	BLACK	5
2066502-3	A	COVER, MINI FUSE 2POS.	PBT(Source 1)	5	BLACK	3
2066502-2	A	COVER, MINI FUSE 2POS.		5	GRAY	2
2066502-1	A	COVER, MINI FUSE 2POS.		5	BLACK	1
TE PART NO	REV	DESCRIPTION	MATERIAL	WEIGHT [g]	SURFACE COLOR	ITEM

THIS DRAWING IS A CONTROLLED DOCUMENT.

DIMENSIONS: mm	TOLERANCES UNLESS OTHERWISE SPECIFIED: DIN 16901-140														
	<table border="1"> <tr><td>0 PLC</td><td>±0.1</td></tr> <tr><td>1 PLC</td><td>±0.15</td></tr> <tr><td>2 PLC</td><td>±0.2</td></tr> <tr><td>3 PLC</td><td>±0.3</td></tr> <tr><td>4 PLC</td><td>±0.5</td></tr> <tr><td>ANGLES</td><td>±1°</td></tr> <tr><td>FINISH</td><td>-</td></tr> </table>	0 PLC	±0.1	1 PLC	±0.15	2 PLC	±0.2	3 PLC	±0.3	4 PLC	±0.5	ANGLES	±1°	FINISH	-
0 PLC	±0.1														
1 PLC	±0.15														
2 PLC	±0.2														
3 PLC	±0.3														
4 PLC	±0.5														
ANGLES	±1°														
FINISH	-														
MATERIAL	SEE TABLE														

DWN	VISHWA. A	19JUN2012
CHK	MADHUL. L	13JUL2012
APVD	MADHUL. L	13JUL2012
PRODUCT SPEC	108-72108	
APPLICATION SPEC	-	
WEIGHT	-	



COVER, 2POS MINIFUSE BOX HOUSING

NAME	COVER, 2POS MINIFUSE BOX HOUSING			RESTRICTED TO
SIZE	CAGE CODE	DRAWING NO		
A3	00779	C-2066502		
CUSTOMER DRAWING	SCALE	SHEET	OF	REV
	2:1	1	1	B

单击下面可查看定价，库存，交付和生命周期等信息

[>>TE Connectivity\(泰科\)](#)