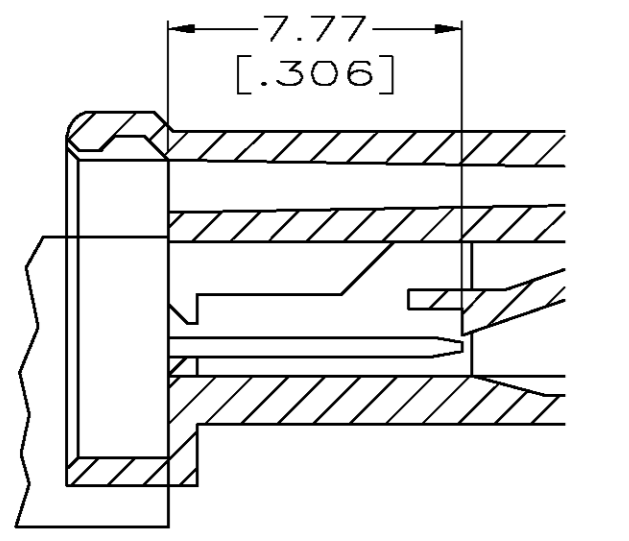
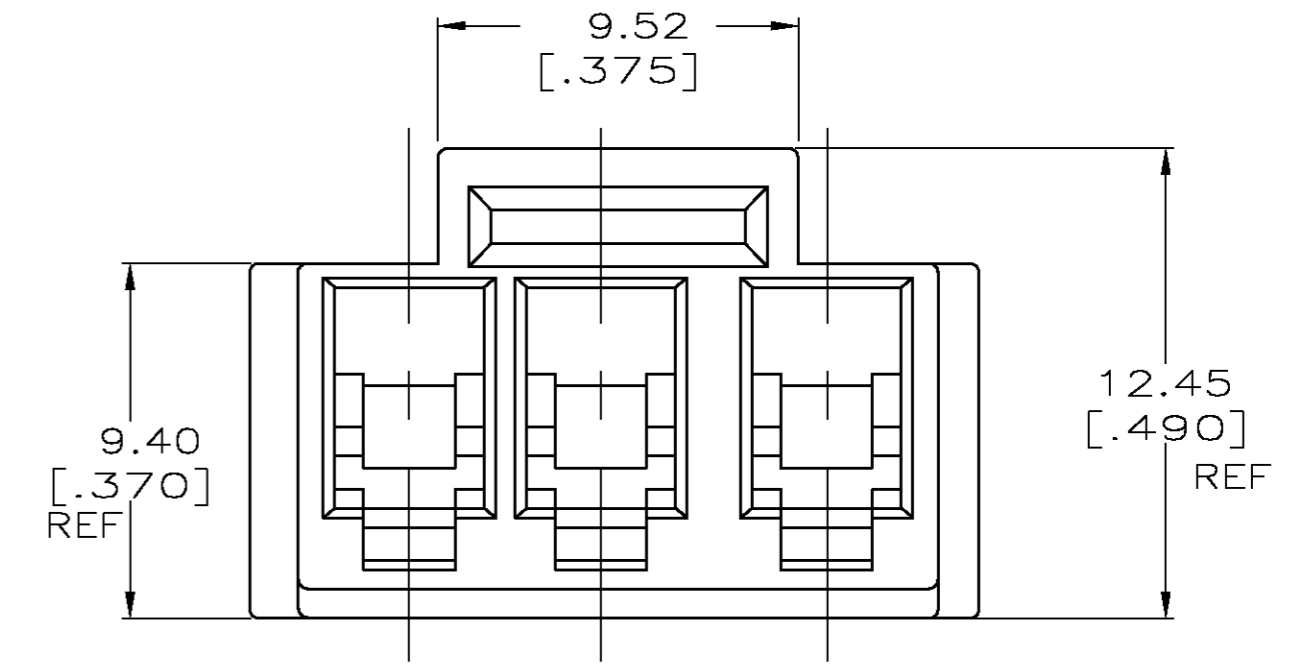
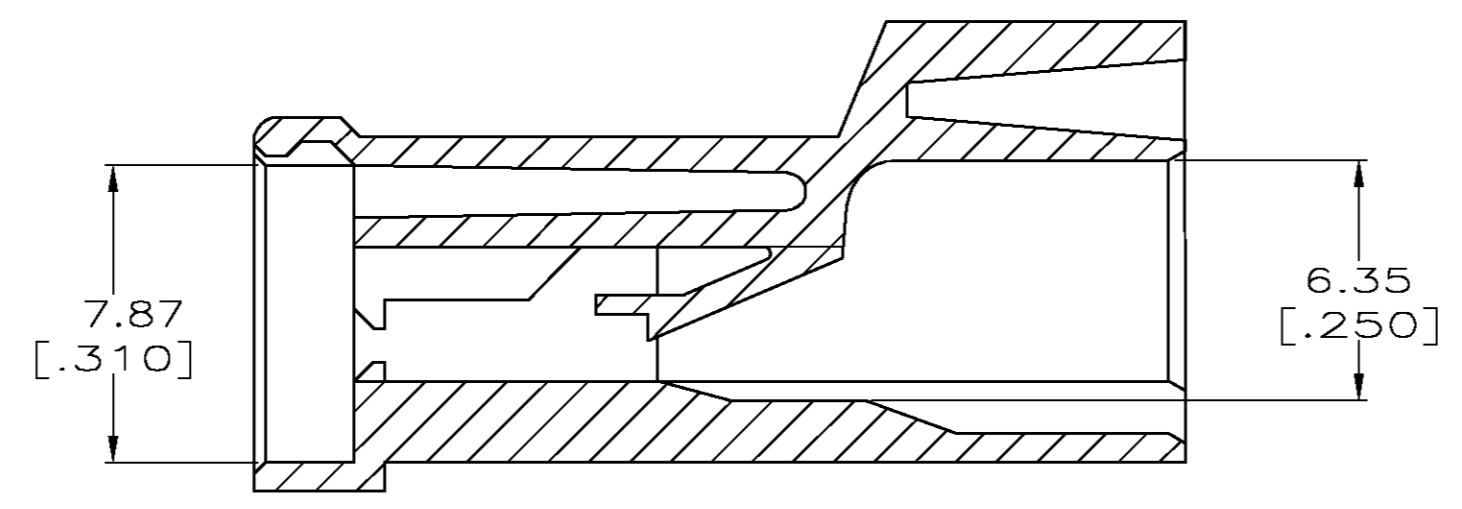
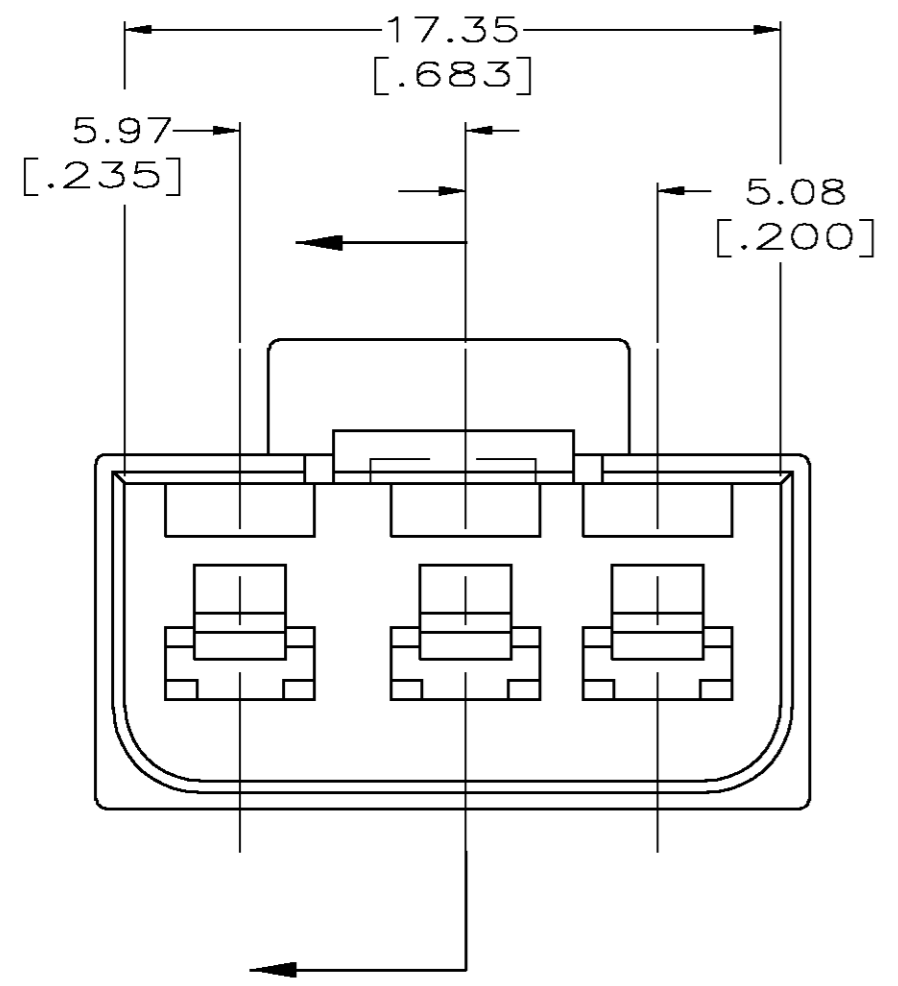
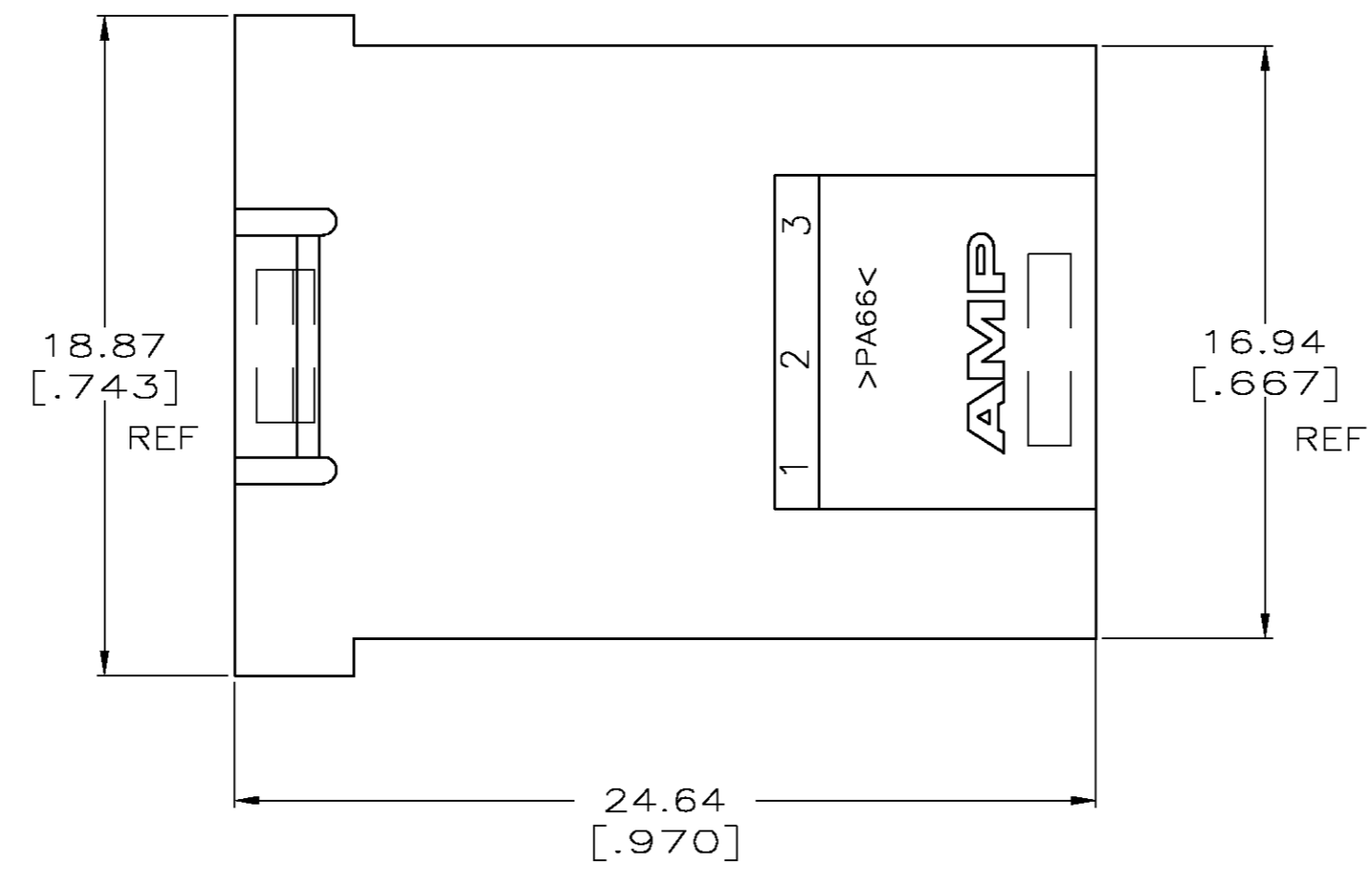


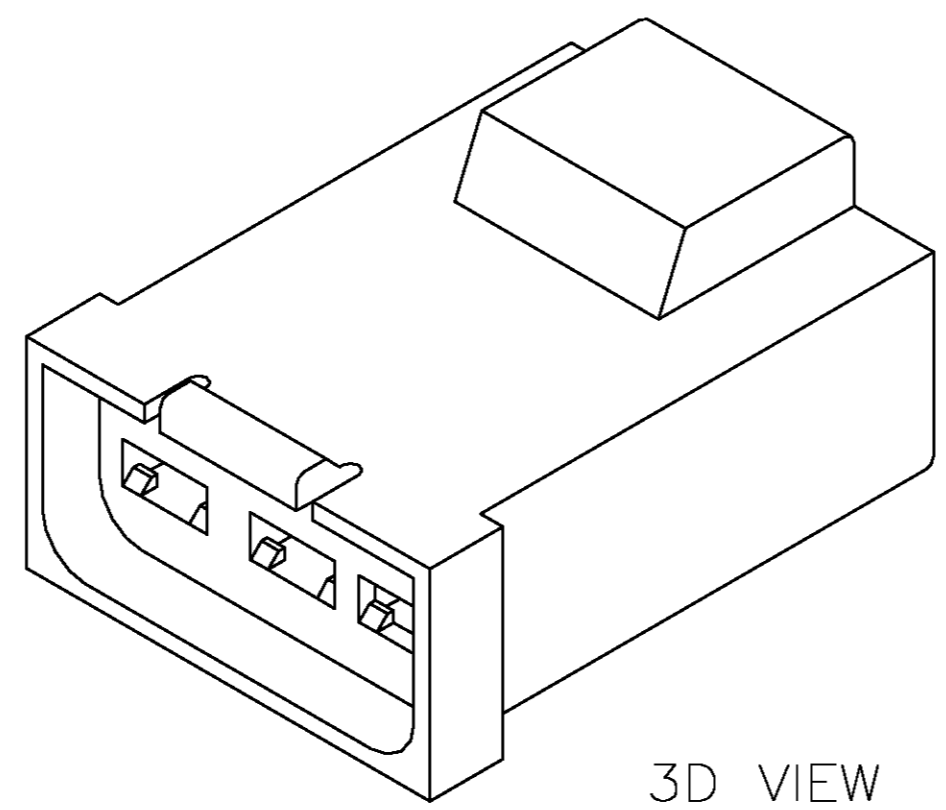
THIS DRAWING IS UNPUBLISHED. RELEASED FOR PUBLICATION  
 © COPYRIGHT BY TYCO ELECTRONICS CORPORATION. ALL RIGHTS RESERVED.

LOC	DIST	REVISIONS			
P	LTR	DESCRIPTION	DATE	DWN	APVD
AF	50	F	REVISED PER 0G3A-0971-04	16FEB05	JR PD

1 USE TERMINAL # 1217345 FOR TWO #18 AWG WIRES.



DESIRED TAB LENGTH



3D VIEW

521307-1  
PART NUMBER

THIS DRAWING IS A CONTROLLED DOCUMENT.		DWN MICHAEL S. FEHER 07OCT2003	Tyco Electronics Corporation Harrisburg, PA 17105-3608	
DIMENSIONS: mm [INCHES]		CHK JEFF R. RUTH 07OCT2003	NAME HOUSING, RECEPTACLE, FASTON, 2.79 [.110] SERIES	
TOLERANCES UNLESS OTHERWISE SPECIFIED: 0 PLC ± - 1 PLC ± - 2 PLC ± 0.25 [.010] 3 PLC ± - 4 PLC ± - ANGLES ± - FINISH NATURAL		APVD PETE DESANTIS 07OCT2003	RESTRICTED TO	
MATERIAL 6/6 NYLON		APPLICATION SPEC	SIZE A2	CAGE CODE 00779
		WEIGHT	DRAWING NO 521307	
		CUSTOMER DRAWING	SCALE 5:1	SHEET 1 OF 1
			REV F	

单击下面可查看定价，库存，交付和生命周期等信息

[>>TE Connectivity\(泰科\)](#)