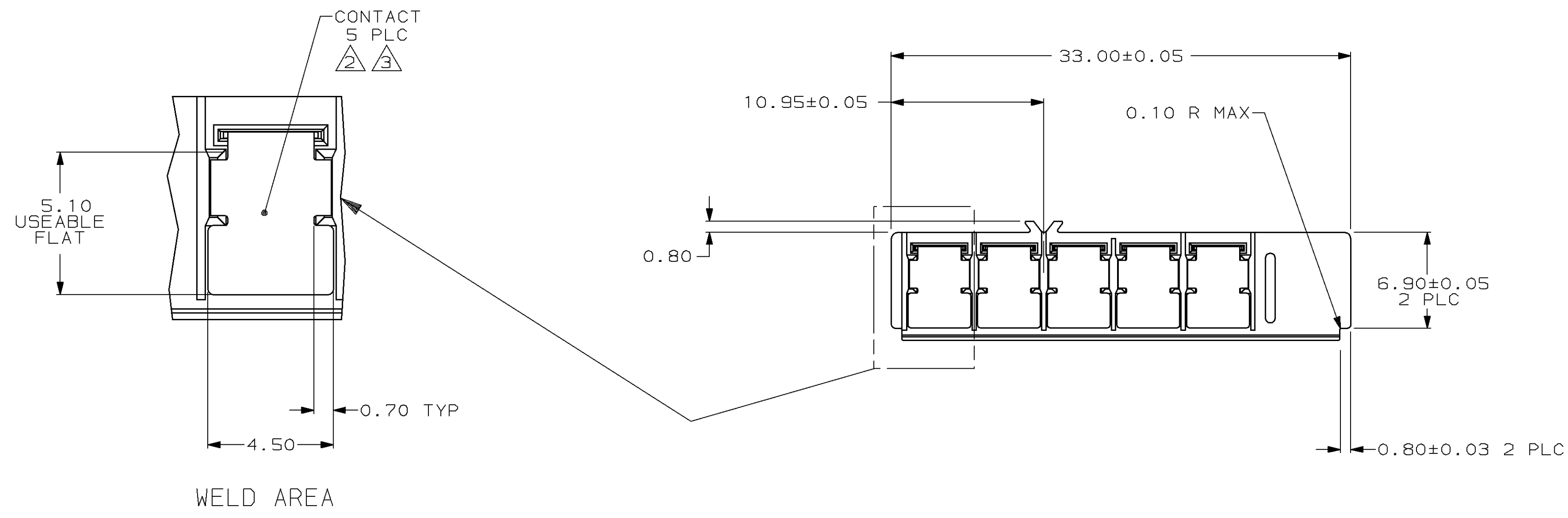
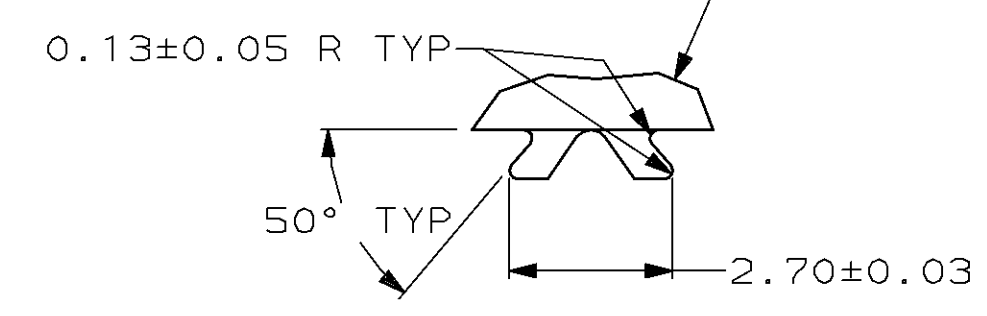
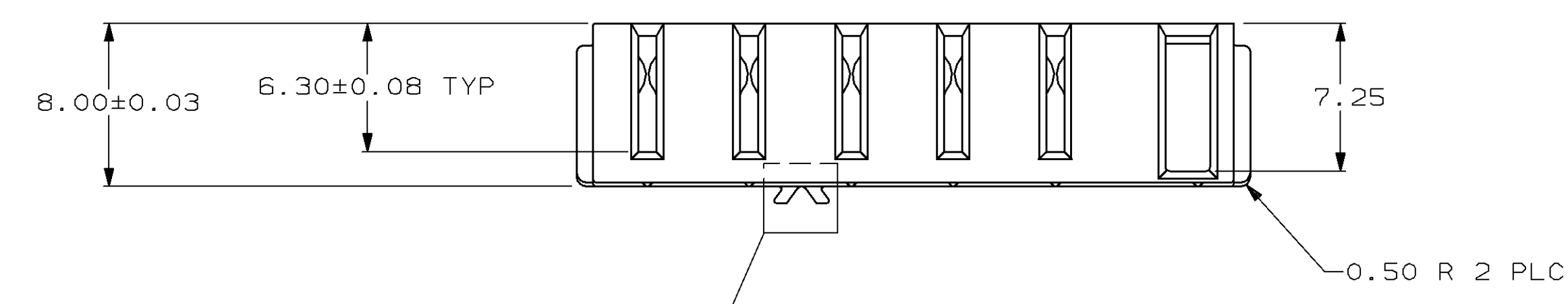
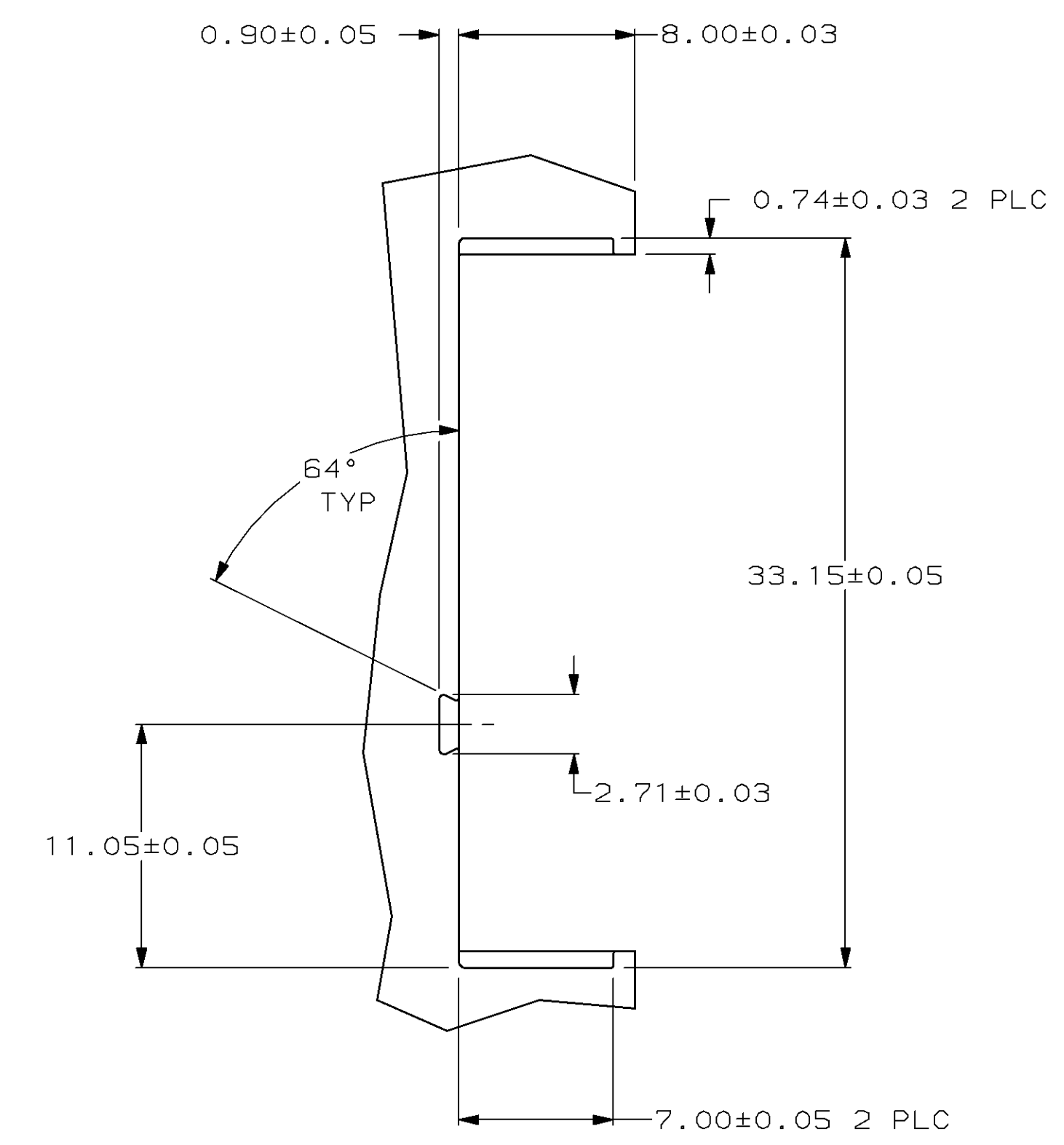
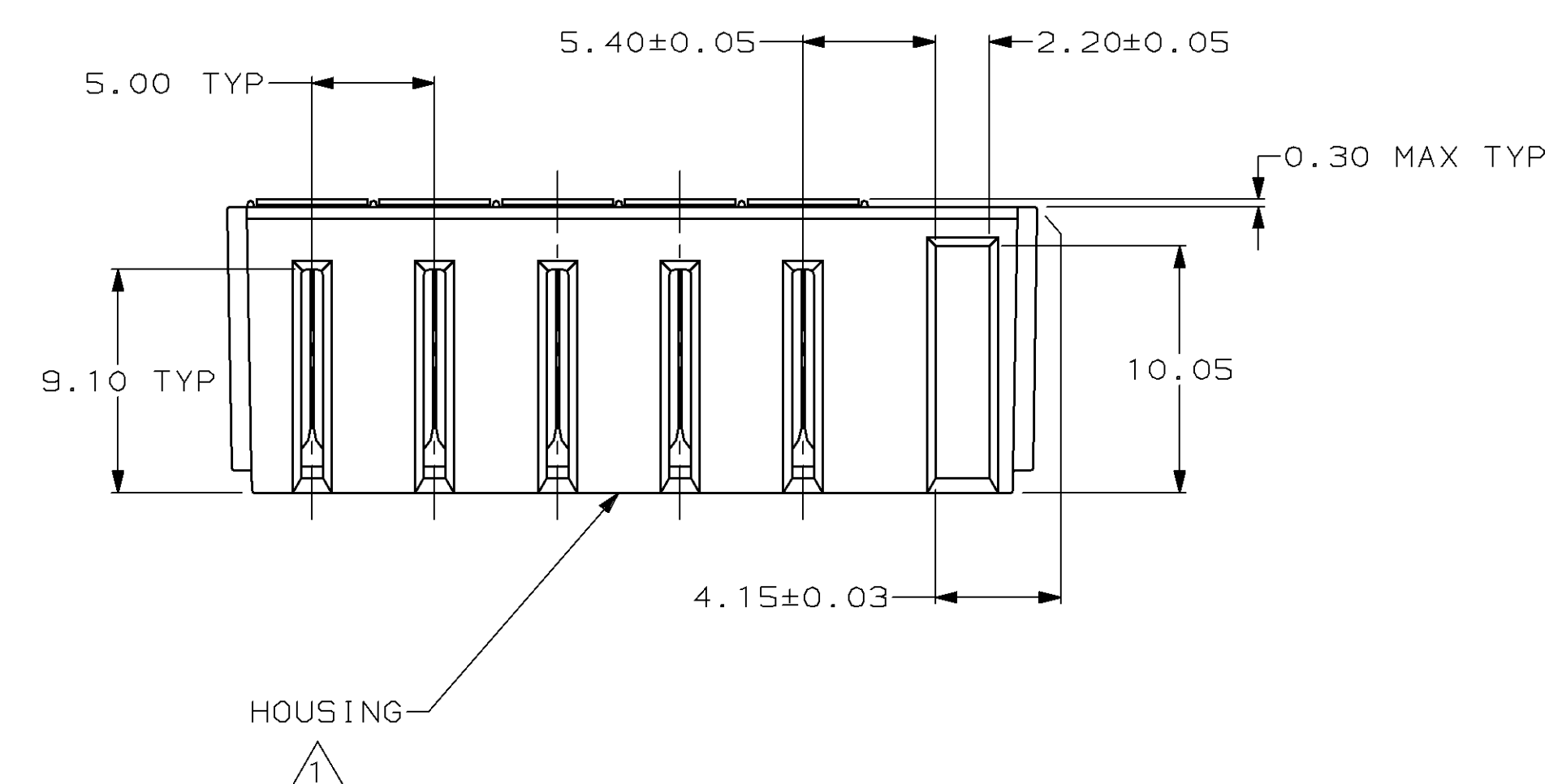
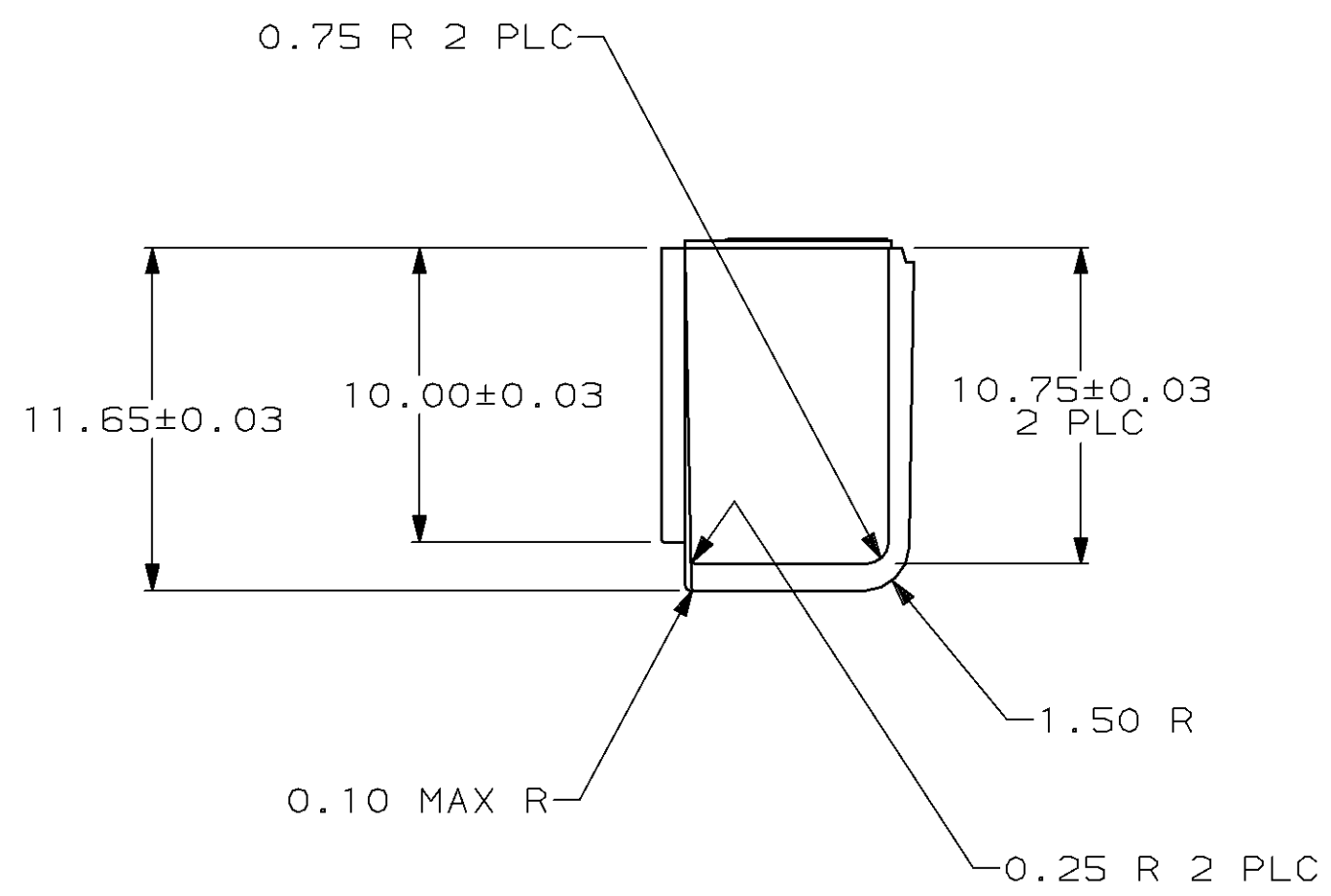


LOC	DIST	REVISIONS			
BD	39	REV	DATE	BY	APPV
0	RLSE -1 PER NPR 5306 WAS 94-1878-82-1		04-05-95	SK	SK



- ① HOUSING: LEXAN 940, BLACK.
- ② CONTACTS: PHOSPHOR BRONZE.
- ③ FINISH: PRE-NICKEL.



SCALE 8:1

787439-1
PART NO

<small>THIS DRAWING IS A CONTROLLED DOCUMENT FOR AMP INCORPORATED. IT IS SUBJECT TO CHANGE AND THE CONTROLLING ENGINEERING DEPARTMENT SHALL BE CONTACTED FOR THE LATEST REVISION.</small>		DWN S. KLINE 04-05-95 CHK S. KLINE 04-11-95 APP'D S. KLINE 04-11-95 PRODUCT SPEC APPLICATION SPEC WEIGHT - CUSTOMER DRAWING	AMP Incorporated Harrisburg, PA 17105-3608 AMP INSERT ASSEMBLY, 5 POSN, DOVETAIL LOCATOR, 12V KEY SLOT, BATTERY INTERCONNECT SIZE: A1 CAGE CODE: 00779 DRAWING NO: 787439 SCALE: 4:1 SHEET: 1 OF 1 REV: 0
DIMENSIONS: mm 	TOLERANCES UNLESS OTHERWISE SPECIFIED: 0 PLC ±- 1 PLC ±- 2 PLC ±0.13 3 PLC ±- 4 PLC ±- ANGLES ±2° FINISH SEE CALLOUTS	MATERIAL SEE CALLOUTS	

单击下面可查看定价，库存，交付和生命周期等信息

[>>TE Connectivity\(泰科\)](#)