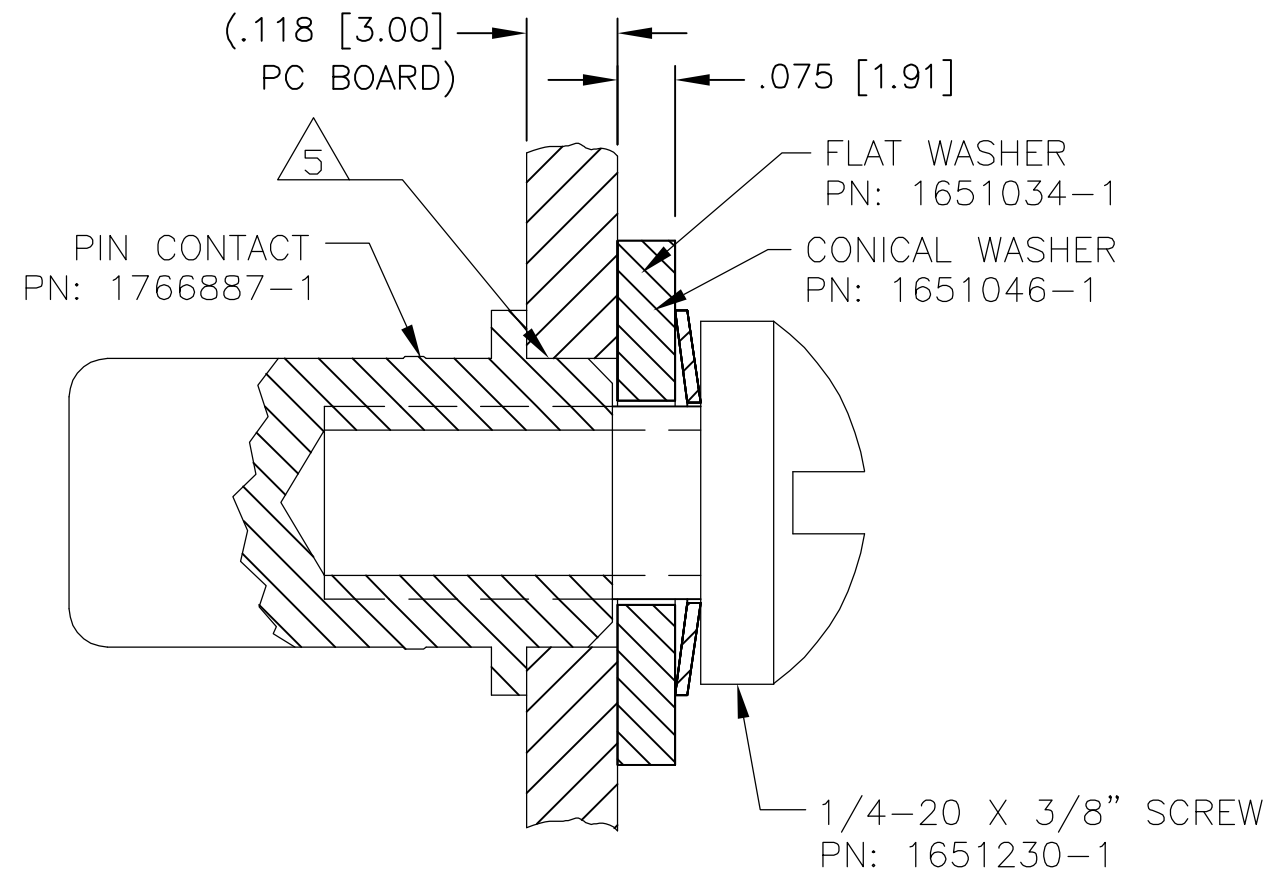
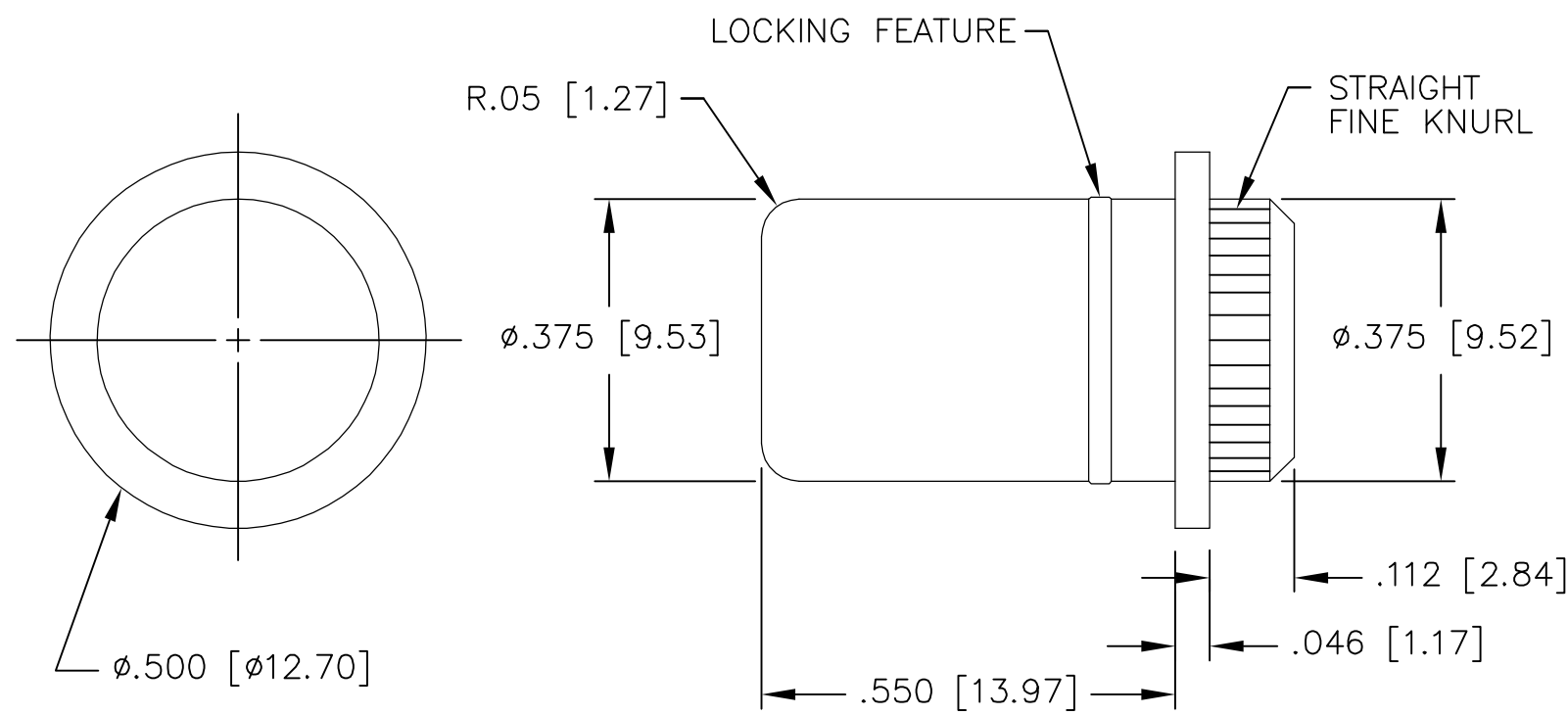


THIS DRAWING IS UNPUBLISHED. RELEASED FOR PUBLICATION
 © COPYRIGHT BY TYCO ELECTRONICS CORPORATION. ALL RIGHTS RESERVED.

LOC	DIST	REVISIONS					
GP	00	P	LTR	DESCRIPTION	DATE	DWN	APVD
			A	RELEASED	04MAY06	RG	SF



- PART NUMBER CHANGES AND/OR DESIGN CHANGES AFFECTING ITEM INTERCHANGEABILITY REQUIRE PRIOR TYCO APPROVAL AND AUTHORIZATION BY REVISION TO THIS DRAWING.
- ITEMS PROVIDED TO THIS SPECIFICATION SHALL BE IDENTIFIED ON THE CONTAINER WITH THE FOLLOWING INFORMATION: PART NUMBER & DATE CODE OF MANUFACTURE.

- 3 MATERIAL -PIN CONTACT: COPPER ALLOY
CONICAL WASHER: SPRING STEEL.
SCREW AND FLAT WASHER: STEEL.
- 4 FINISH - PIN CONTACT: SILVER PLATE .00020 MIN THK. OVER
NICKEL .000040 MIN THK.
SCREW: NICKEL PLATE
CONICAL & FLAT WASHERS: NICKEL PLATE
- 5 RECOMMENDED HOLE DIAMETER AFTER PLATING:
 $\phi.370+.003/.001 [\phi 9.40+.07/-.03]$.

ASSEMBLY DETAIL

AS SHOWN	6648226-1
DESCRIPTION	PART NUMBER

THIS DRAWING IS A CONTROLLED DOCUMENT.		DWN R.GRZYBOWSKI 04MAY2006	Tyco Electronics Corporation Harrisburg, PA 17105-3608	
DIMENSIONS: INCHES		CHK S.FLICKINGER 04MAY06		
TOLERANCES UNLESS OTHERWISE SPECIFIED:		APVD S.FLICKINGER 04MAY06	NAME PIN CONTACT, SIZE NO.2, SCREW MOUNT LOCKING STYLE PRESS FIT	
0 PLC ± - 1 PLC ± - 2 PLC ± .02 [.5] 3 PLC ± .010 [.25] 4 PLC ± - ANGLES ± .5		PRODUCT SPEC -	SIZE A3	
MATERIAL 3		APPLICATION SPEC -	CAGE CODE 00779	DRAWING NO C-6648226
FINISH 4		WEIGHT -	RESTRICTED TO -	
CUSTOMER DRAWING			SCALE 1:1	SHEET 1 OF 1
			REV A	

ELCON CONTACTS

单击下面可查看定价，库存，交付和生命周期等信息

[>>TE Connectivity\(泰科\)](#)