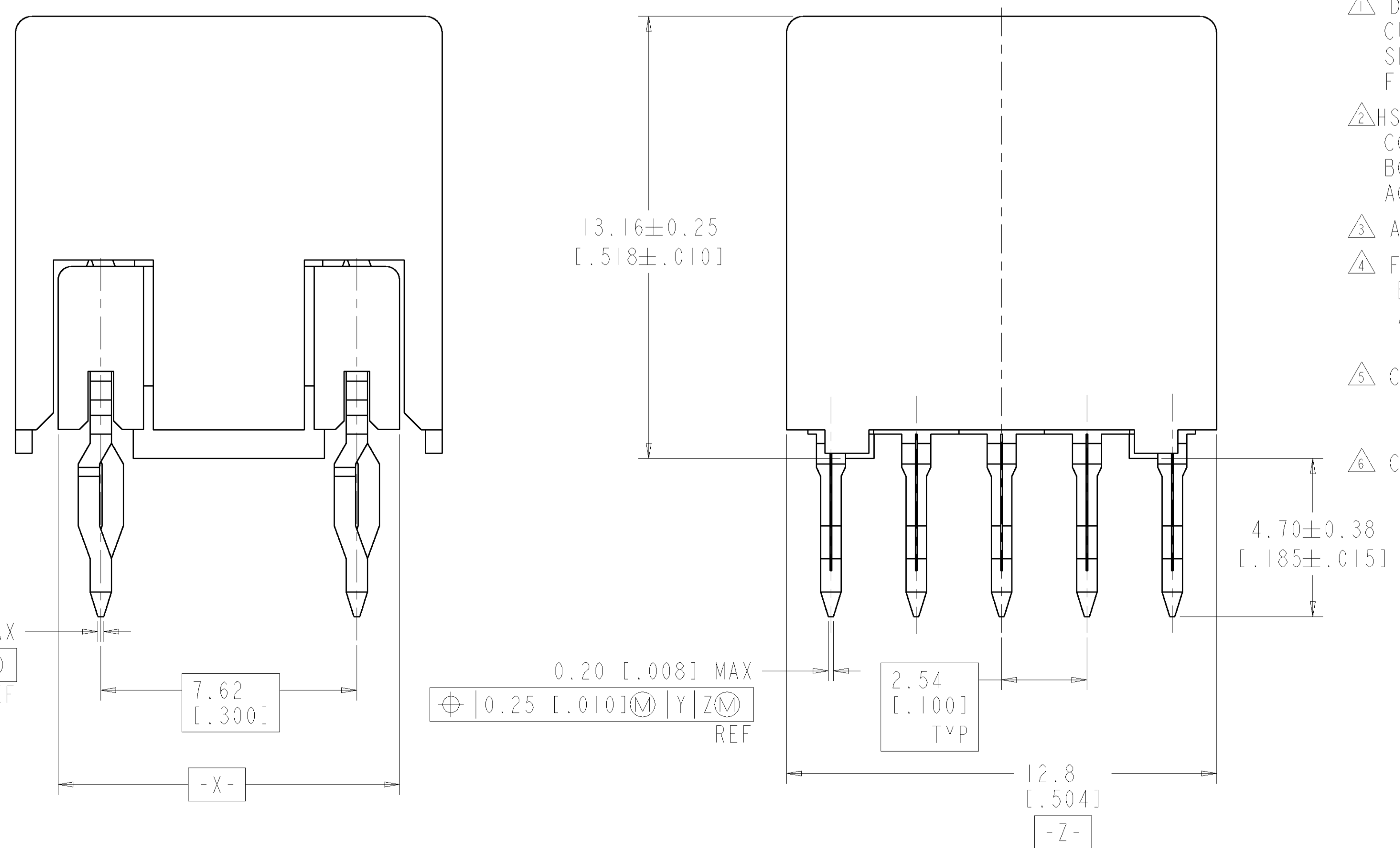
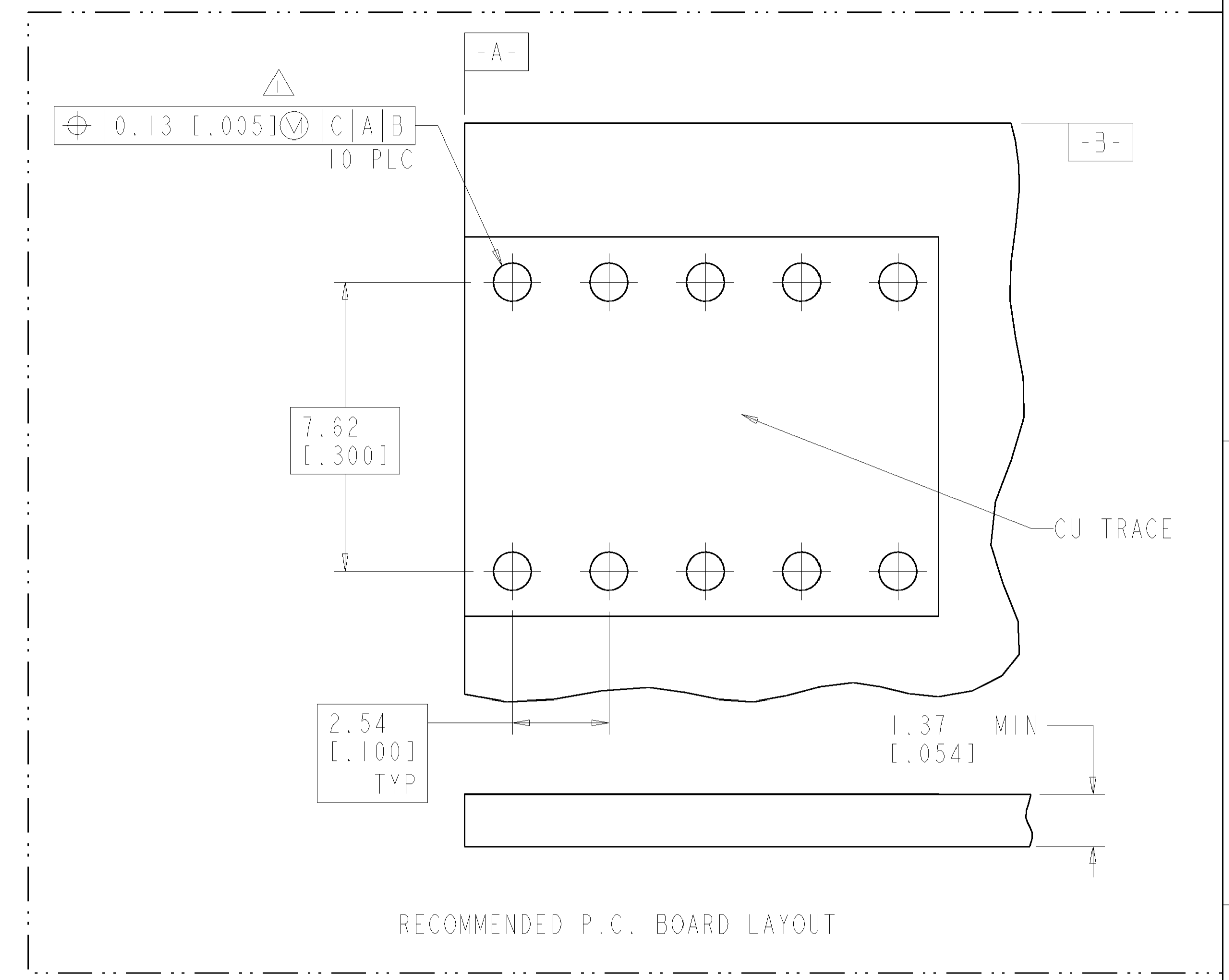
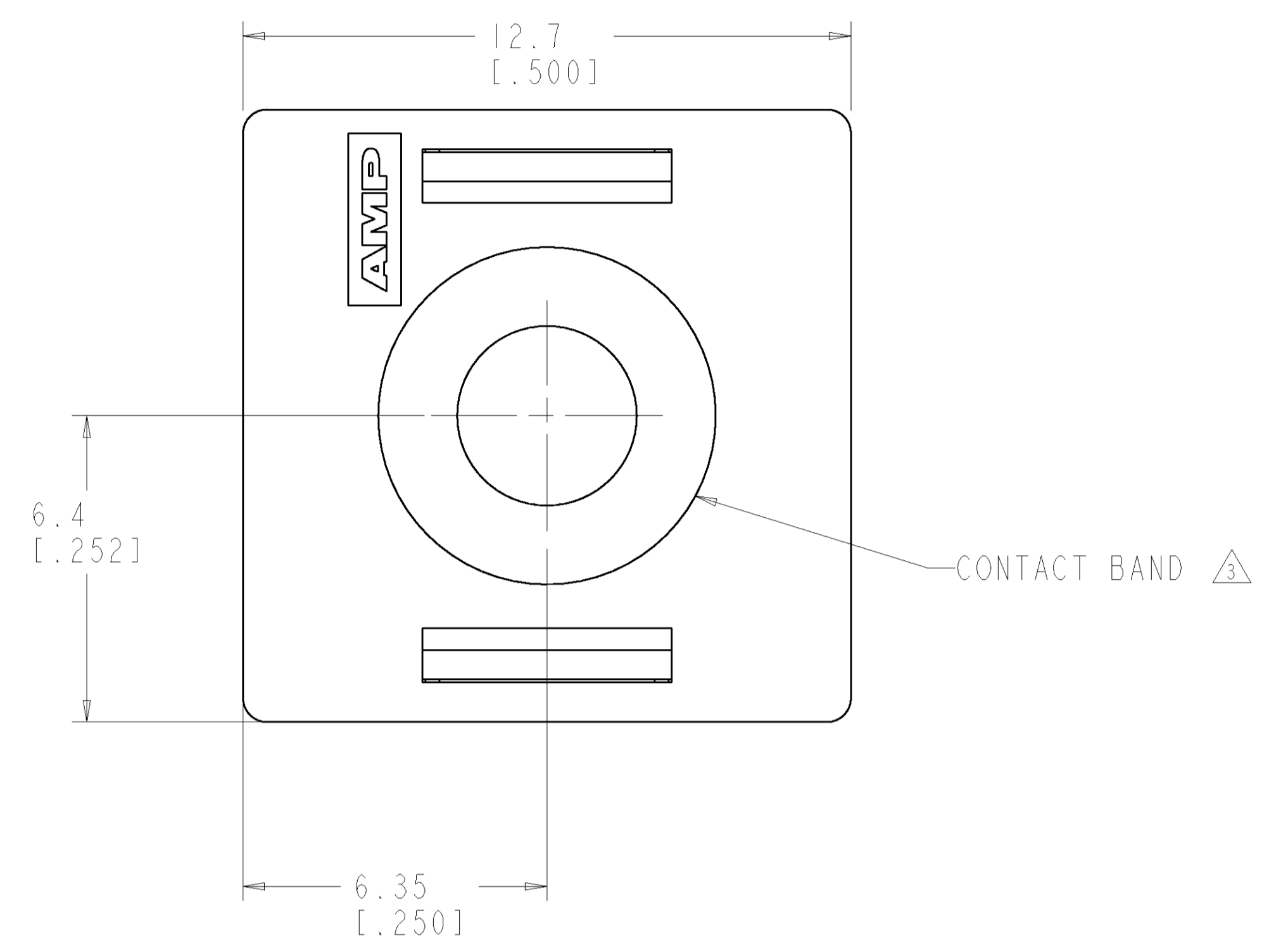


LOC	DIST	REV	DATE	BY	APPD
AD	47	O	23AUG99	DKS	RAP
		A	02FEB00	DKS	RAP
		B	10APR00	DKS	RAP
		C	02JUN2005	RG	AF



- △ DRILLED HOLE DIAMETER 1.15 ± 0.03 [0.0453 ± 0.001].
 CU THICKNESS 0.03-0.08 [0.001-0.003].
 SN THICKNESS 8µm [0.0003] MIN.
 FINISHED HOLE AFTER PLATING 0.94-1.09 [0.037-0.043].
- △ HSG: THERMOPLASTIC, BLACK
 CONTACT BAND: COPPER ALLOY
 BODY: ZINC ALLOY
 ACTION PIN CONTACT: BRONZE ALLOY
- △ ACCEPTS 3.58 ± 0.025 MATING PIN [0.141 ± 0.001].
- △ FINISHES:
 BODY: 5.08µm [0.0002] MIN SILVER OVER 2.54µm [0.0001] MIN COPPER
 ACTION PIN: 5.08µm [0.0002] MIN SILVER OVER 1.27µm [0.00005] MIN NICKEL
- △ CONTACT BAND FINISH: 5.08µm [0.0002] MIN SILVER
 OVER 1.02µm [0.00004] MIN NICKEL.
- △ CONTACT BAND FINISH: .76µm [0.00003] MIN GOLD
 OVER 1.02µm [0.00004] MIN NICKEL.

CONTACT BAND FINISH	DESCRIPTION	PART NUMBER
△ 6	RECEPTACLE	796138-2
△ 5	RECEPTACLE	796138-1

DIMENSIONS: mm [INCHES]	TOLERANCES UNLESS OTHERWISE SPECIFIED: 0 PLC ± 1 PLC ±.13 [0.0053] 2 PLC ±.13 [0.0053] 3 PLC ± 4 PLC ± ANGLES ±	FINISH: △ 2 △ 4	DWN MDL 26 JAN 99 ENR MDL 26 JAN 99 APPV MDL 26 JAN 99	NAME RECEPTACLE ASSEMBLY VERTICAL, BOARD TO BOARD, POWER TAP	AMP Incorporated Harrisburg, PA 17105-3608
MATERIAL: △ 2	WEIGHT: 114-11000	SCALE: 10:1	SIZE: A1 CAGE CODE: 00779 DRAWING NO: C=796138	SHEET 1 OF 1	REV C

单击下面可查看定价，库存，交付和生命周期等信息

[>>TE Connectivity\(泰科\)](#)