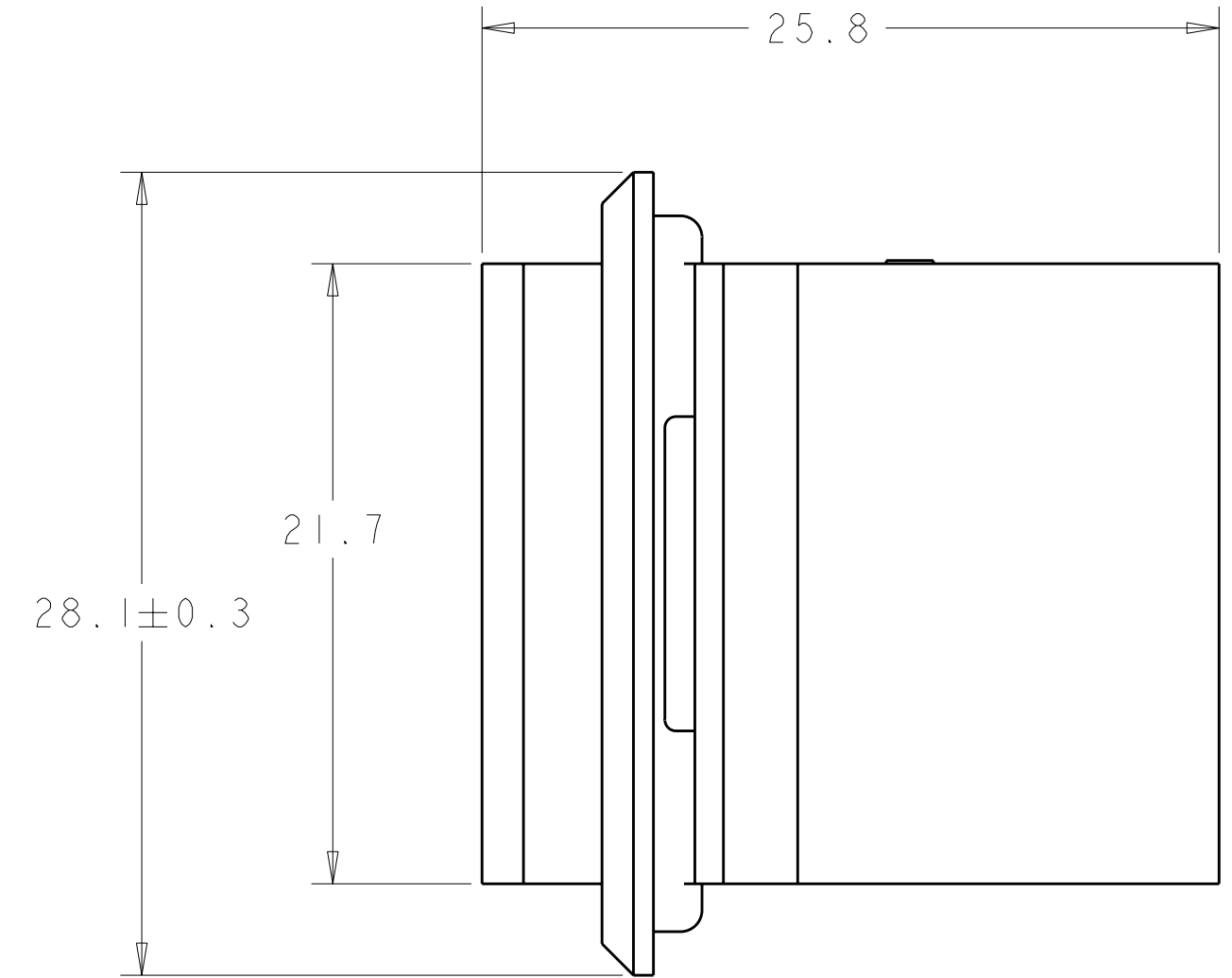
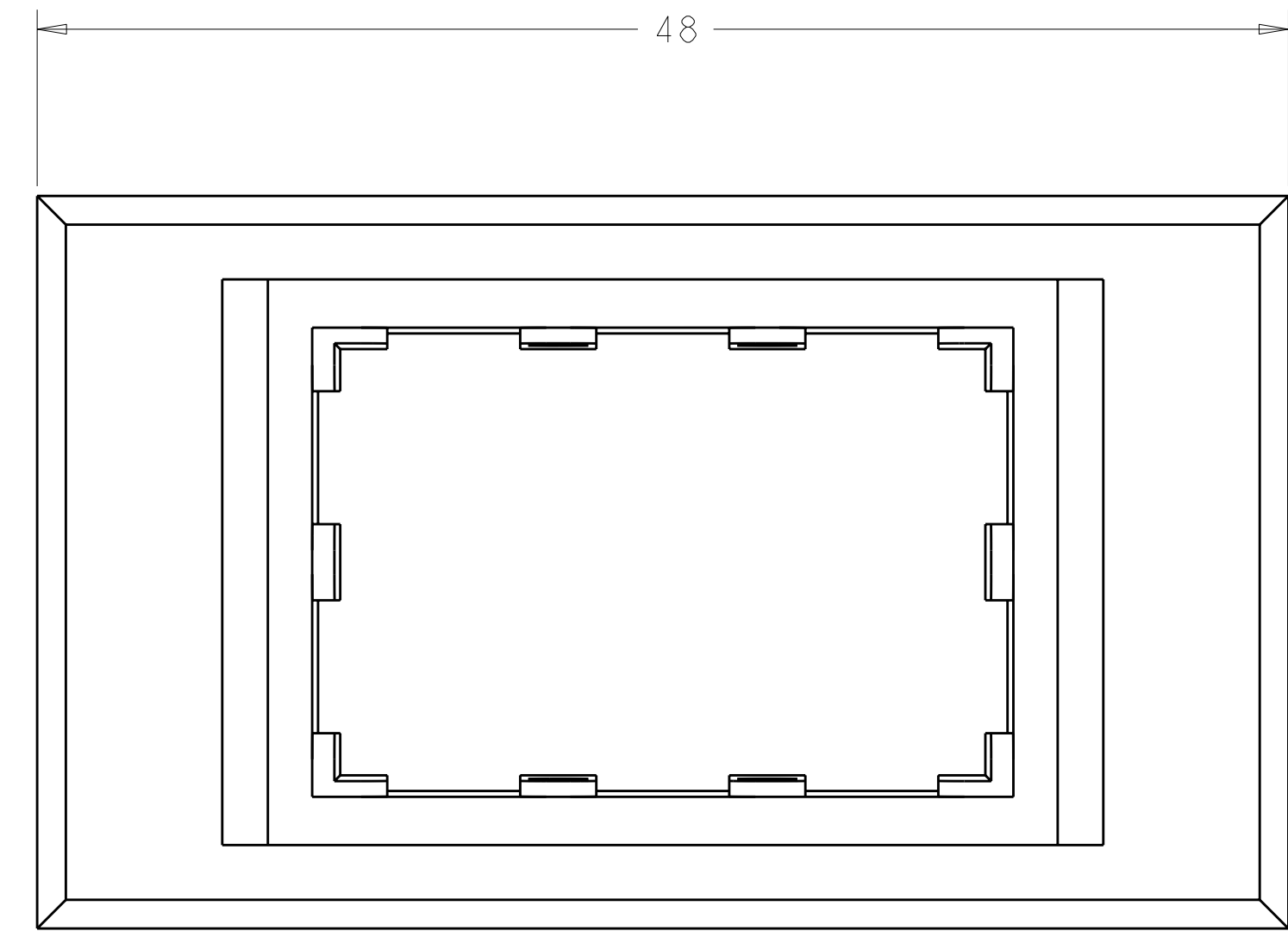
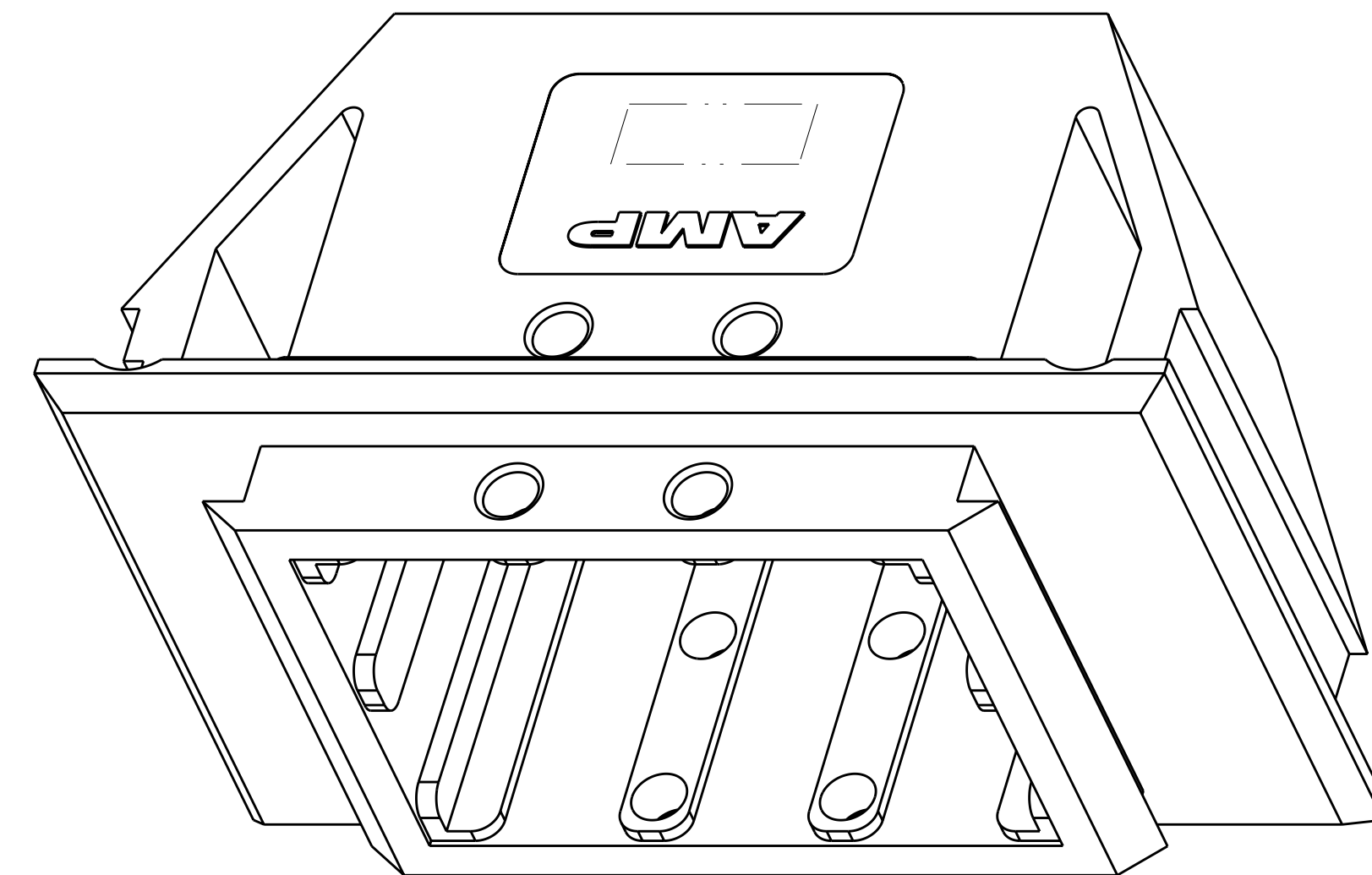
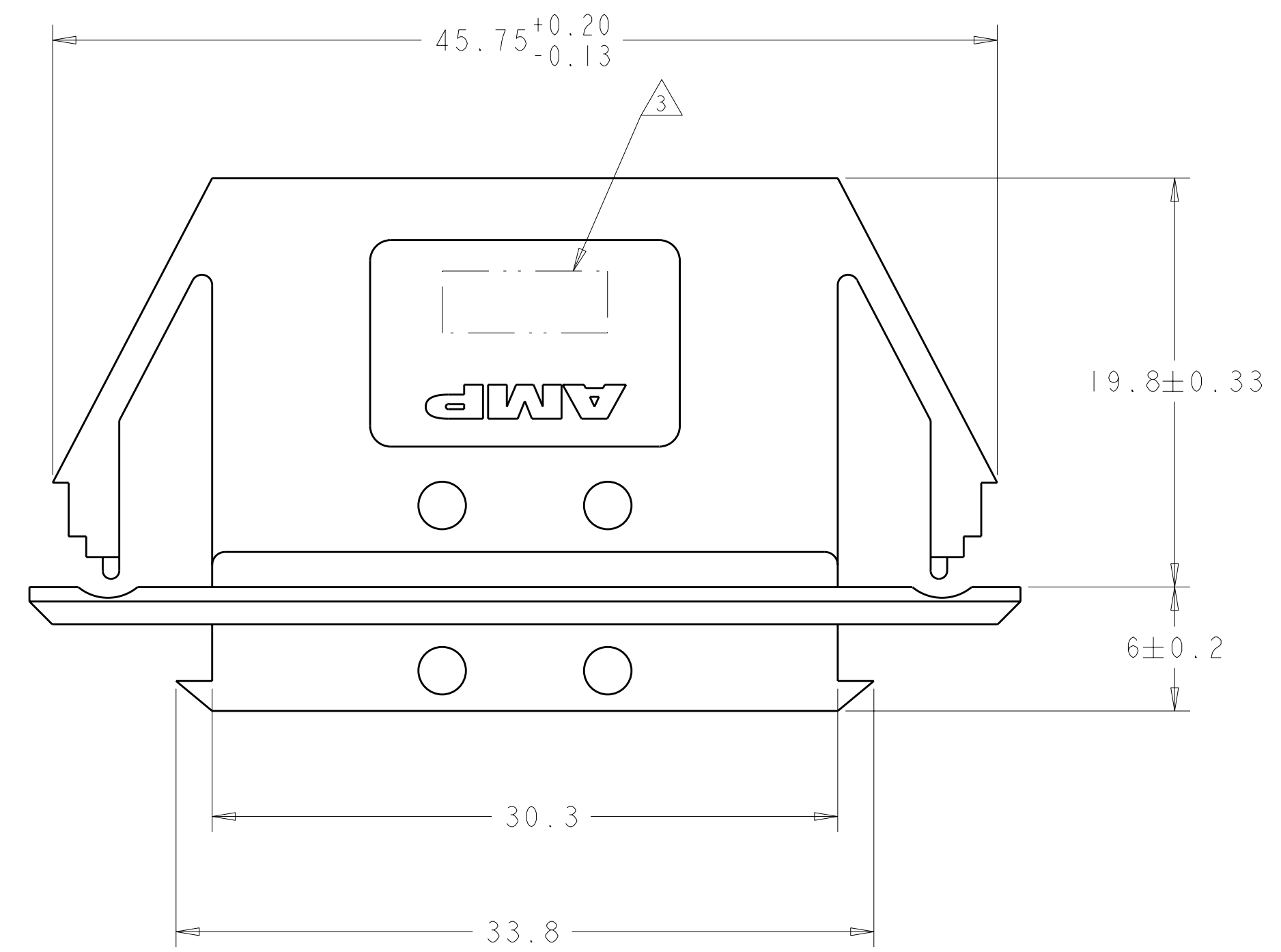


LOC		DIST		REVISIONS			
FT	0	REV	DATE	BY	CHK	APP	DATE
		B	03JUN2011	HMR	DY		



1. MATERIAL: POLYCARBONATE 94-V0
  2. COLOR: BLACK
- ③ TE OR TE CONNECTIVITY LOGO LOCATED APPROX IN THIS AREA.

1604078-1  
 PART NUMBER

THIS DRAWING IS A CONTROLLED DOCUMENT.		DWN	B. HAYMAKER	09JAN2002		
DIMENSIONS:		CHK	K. KETELSLEGER	14MAR02		
mm		APVD	K. KETELSLEGER	14MAR02		
TOLERANCES UNLESS OTHERWISE SPECIFIED:		PRODUCT SPEC		NAME		
0 PLC ±0.13		-		HOUSING, 2X3 POWER SERIES RECEPTACLE		
1 PLC ±0.13		-		SIZE		
2 PLC ±0.13		-		CAGE CODE		
3 PLC ±0.13		-		DRAWING NO		
4 PLC ±0.13		-		RESTRICTED TO		
ANGLES ±°		APPLICATION SPEC		A100779C=1604078		
FINISH ±°		WEIGHT		SCALE		
-		-		4:1		
-		-		SHEET		
-		-		1 OF 1		
-		-		REV		
-		-		B		
-		-		CUSTOMER DRAWING		

单击下面可查看定价，库存，交付和生命周期等信息

[>>TE Connectivity\(泰科\)](#)