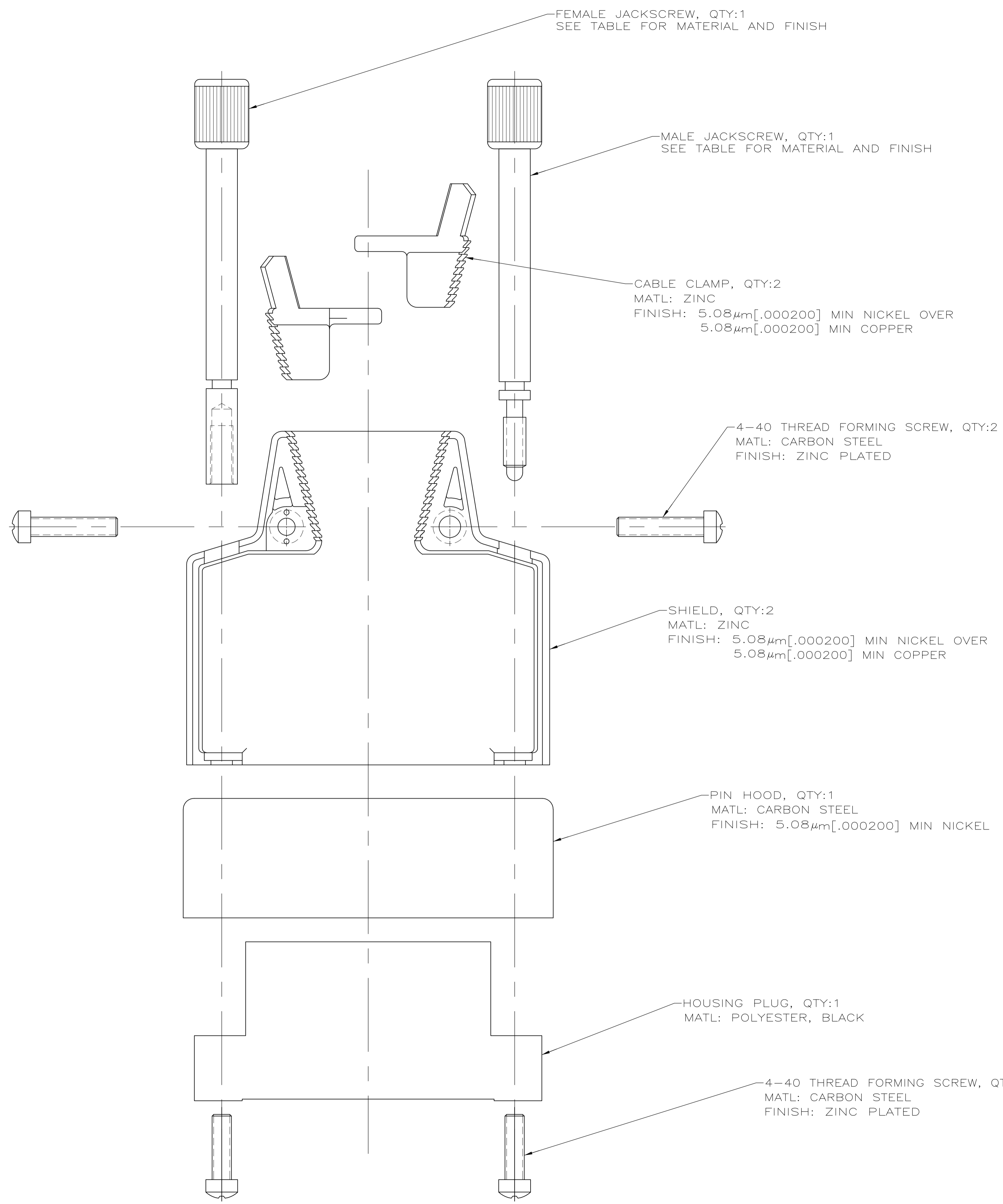
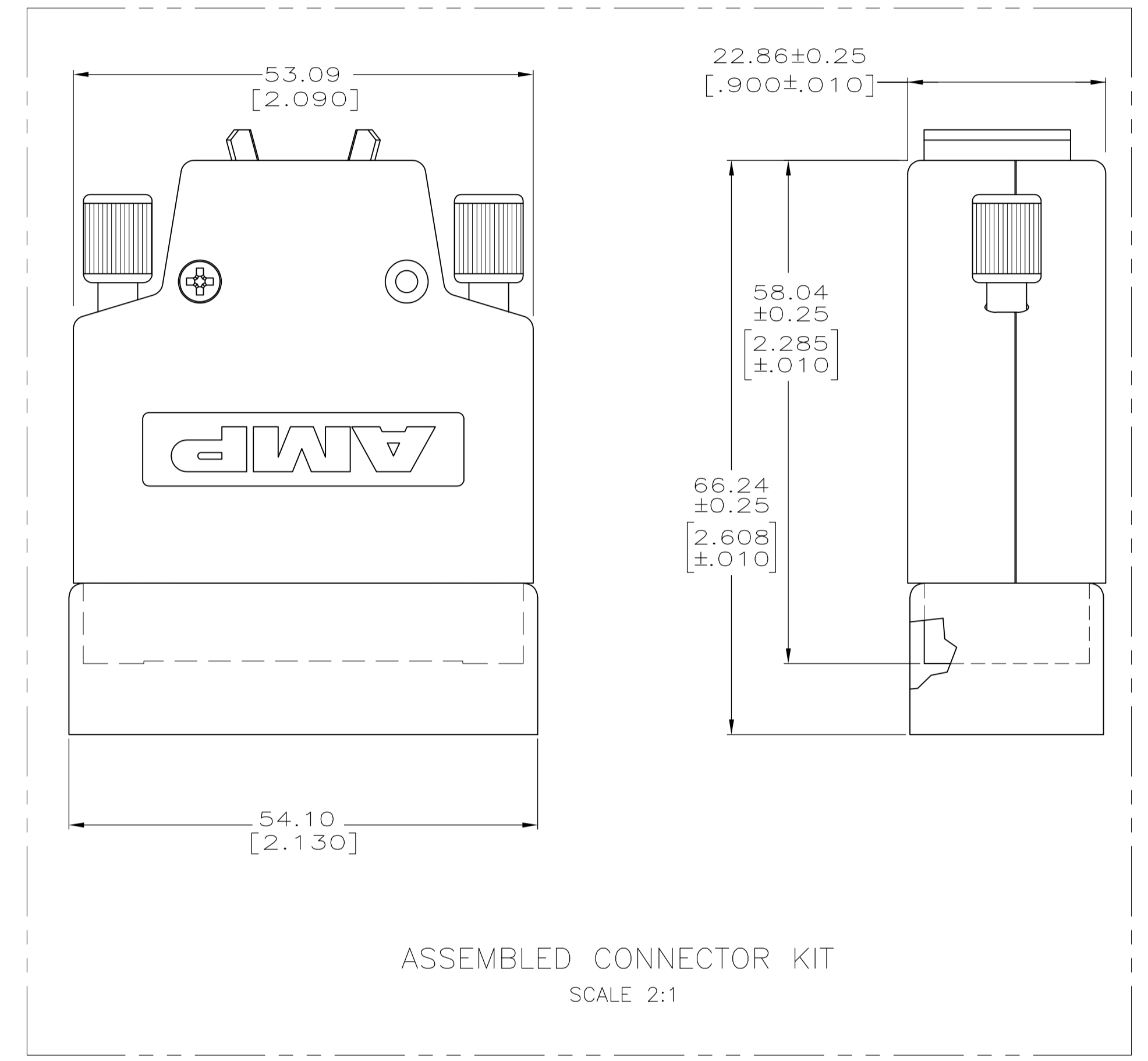


REVISIONS					
P	LTR	DESCRIPTION	DATE	DMN	APVD
D1		REVISED PER ECO-16-004000	28SEP2016	NK	MZ
E		REVISED PER ECR-17-002063	07MAR2017	RS	MZ



- 1 OBSOLETE PARTS: OBSOLETE CIS STREAMLINING PER D.RENAUD/D.SINISI.
- 2 MATERIAL: ZINC
FINISH: 2.54µm[.000100] MIN NICKEL OVER 2.54µm[.000100] MIN COPPER.
- 3 MATERIAL: STAINLESS STEEL.



OBSOLETE	3	6.35-10.16[.250-.400]	2+3804-4
	2	10.16-15.24[.400-.600]	213804-3
1 OBSOLETE	2	6.35-10.16[.250-.400]	2+3804-2
OBSOLETE	2	3.81-7.62[.150-.300]	2+3804-1
		JACKSCREW	CABLE DIAMETER
			PART NO

THIS DRAWING IS A CONTROLLED DOCUMENT.

DIMENSIONS: mm [INCHES]	TOLERANCES UNLESS OTHERWISE SPECIFIED: 0. PLC ± - 1. PLC ± - 2. PLC ± 0.13[.005] 3. PLC ± - 4. PLC ± - ANGLES ± -	APPROVED: T. COULSON PRODUCT SPEC	DATE: 10-05-94	NAME: CONNECTOR KIT, UNASSEMBLED, 34 POSITION, V.35, M SERIES
MATERIAL SEE CALLOUTS	FINISH SEE CALLOUTS	WEIGHT -	SIZE A1	RESTRICTED TO -
CUSTOMER DRAWING		SCALE 3:1	SHEET 1 OF 1	REV E

STE TE Connectivity

单击下面可查看定价，库存，交付和生命周期等信息

[>>TE Connectivity\(泰科\)](#)