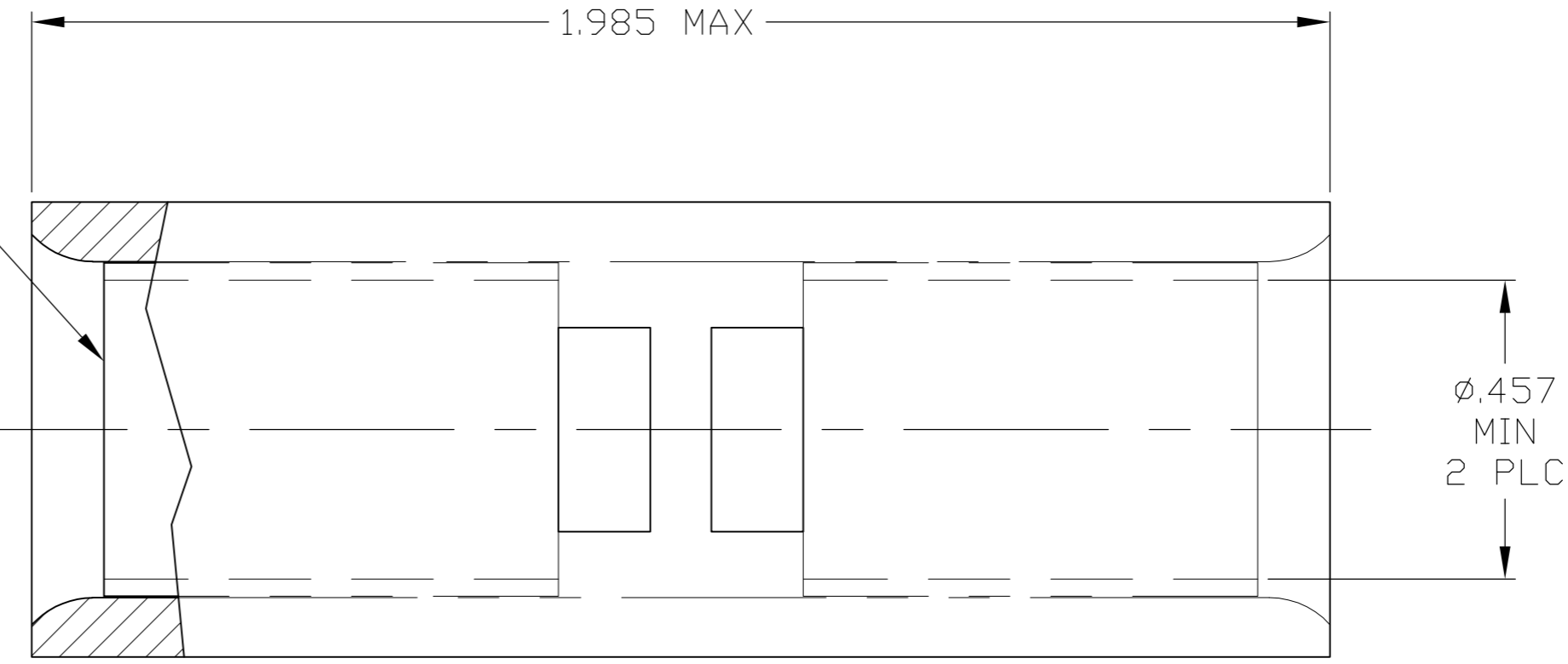
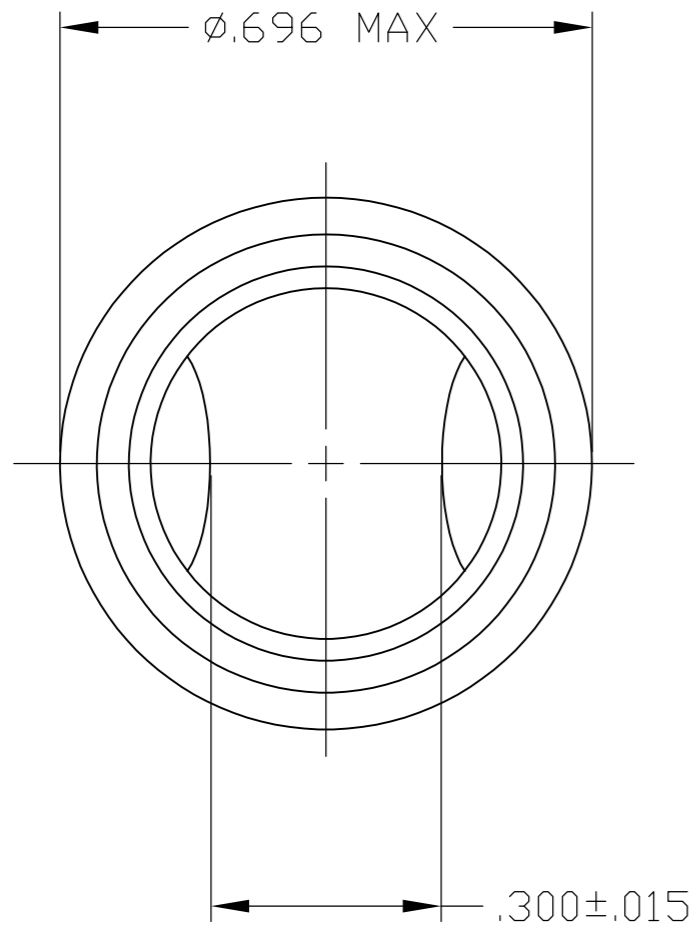


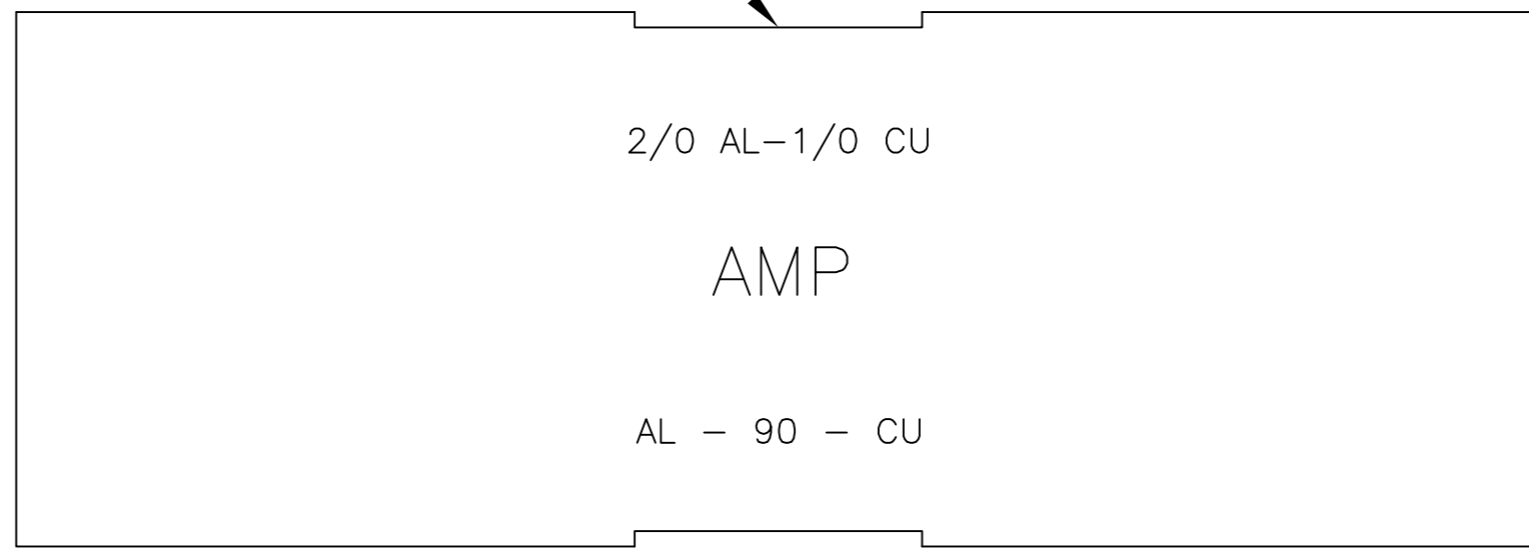
THIS DRAWING IS UNPUBLISHED. RELEASED FOR PUBLICATION  
 © COPYRIGHT BY TYCO ELECTRONICS CORPORATION. ALL INTERNATIONAL RIGHTS RESERVED.

LOC		DIST		REVISIONS			
P	LTR	DESCRIPTION	DATE	DWN	APVD		
F		REV PER ECO 10-016294	13AUG10	PY	JW		

INSERT  
 MAT'L: BRASS PER ASTM-B-19  
 FINISH: TIN PLATED .00030 MIN THK  
 PER ASTM-B-545 OR 539



BODY  
 MAT'L: COPPER PER ASTM-B-152  
 FINISH: TIN PLATED  
 PER ASTM-B-545 OR 539



52013  
 PART NUMBER

THIS DRAWING IS A CONTROLLED DOCUMENT.		DWN C.C.THOMAS 6-24-09	Tyco Electronics Corporation Harrisburg, PA 17105-3608	
DIMENSIONS: INCHES		CHK J.WEAVER 6-25-09	NAME SPLICE, BUTT, COPALUM, WIRE SIZE 2/0 AL-1/0 CU STRANDED/SOLID	
TOLERANCES UNLESS OTHERWISE SPECIFIED:		APVD J.WEAVER 6-25-09	SIZE A2	CAGE CODE 00779
0 PLC ± -		PRODUCT SPEC	DRAWING NO C=52013	RESTRICTED TO
1 PLC ± -		APPLICATION SPEC	SCALE 4:1	SHEET 1 of 1
2 PLC ± -		WEIGHT	REV F	
3 PLC ± .005				
4 PLC ± -				
ANGLES ± -				
FINISH				
MATERIAL				
-				

单击下面可查看定价，库存，交付和生命周期等信息

[>>TE Connectivity\(泰科\)](#)