

THIS DRAWING IS UNPUBLISHED.

RELEASED FOR PUBLICATION

© COPYRIGHT - By -

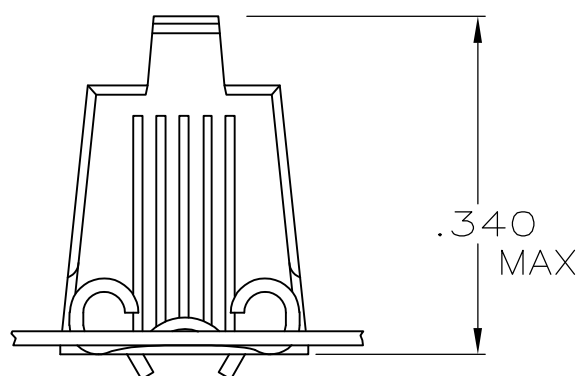
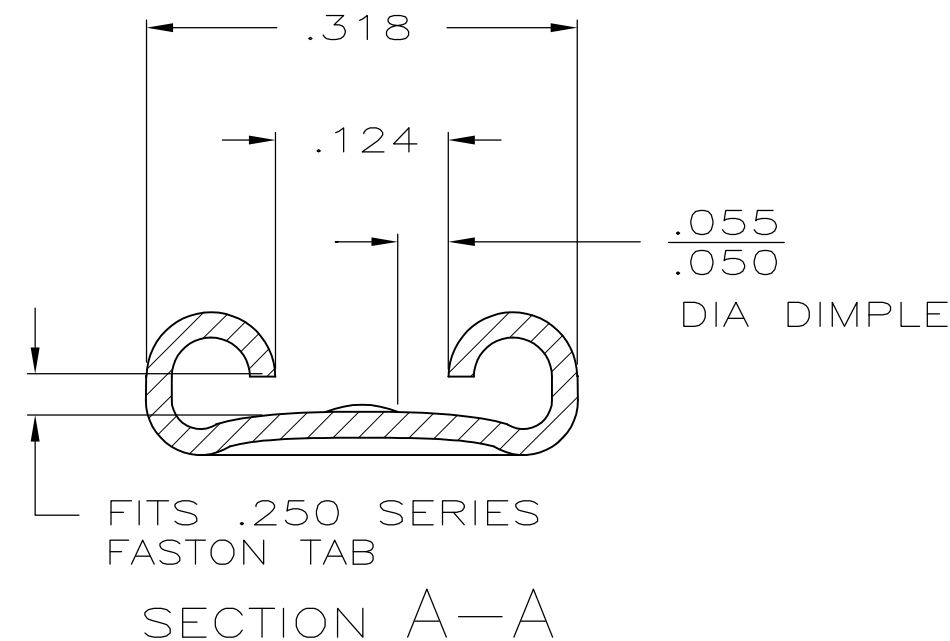
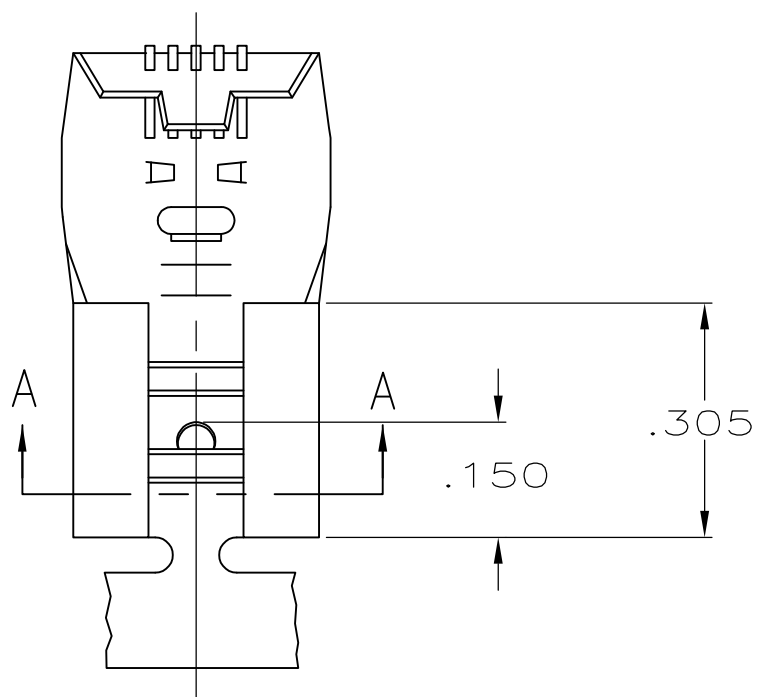
ALL RIGHTS RESERVED.

LOC AF DIST 50


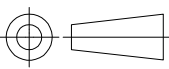
REVISIONS

P	LTR	DESCRIPTION	DATE	DWN	APVD
L1		REVISED PER ECO-14-013052	22AUG2014	NK	DC

1 CONTINUOUS STRIP ON REELS.



	18-12	.032±.001	TIN	BRASS	62021-3
OBSOLETE	18-12	.032±.001		.018 BRASS	62021-2
OBSOLETE	18-12	.032±.001	SILVER	.018 PHOS. BRONZE	62021-1
	WIRE SIZE	TAB THK	FINISH	MATERIAL	PART NO

THIS DRAWING IS A CONTROLLED DOCUMENT.		DWN JR RUTH 2/3/86	 TE Connectivity NAME .250 SERIES FLAG FASTON RECEPTACLE					
DIMENSIONS: INCHES		CHK M FEHER 2/6/86				SIZE	CAGE CODE	DRAWING NO
		APVD C MEYERS 2/7/86				A3	00779	C-62021
TOLERANCES UNLESS OTHERWISE SPECIFIED:		PRODUCT SPEC				RESTRICTED TO		
0 PLC ± - 1 PLC ± - 2 PLC ± - 3 PLC ± .015 4 PLC ± - ANGLES ± -		APPLICATION SPEC	SCALE NTS SHEET 1 OF 1 REV L1					
MATERIAL SEE TABLE		FINISH SEE TABLE	CUSTOMER DRAWING					

单击下面可查看定价，库存，交付和生命周期等信息

[>>TE Connectivity\(泰科\)](#)