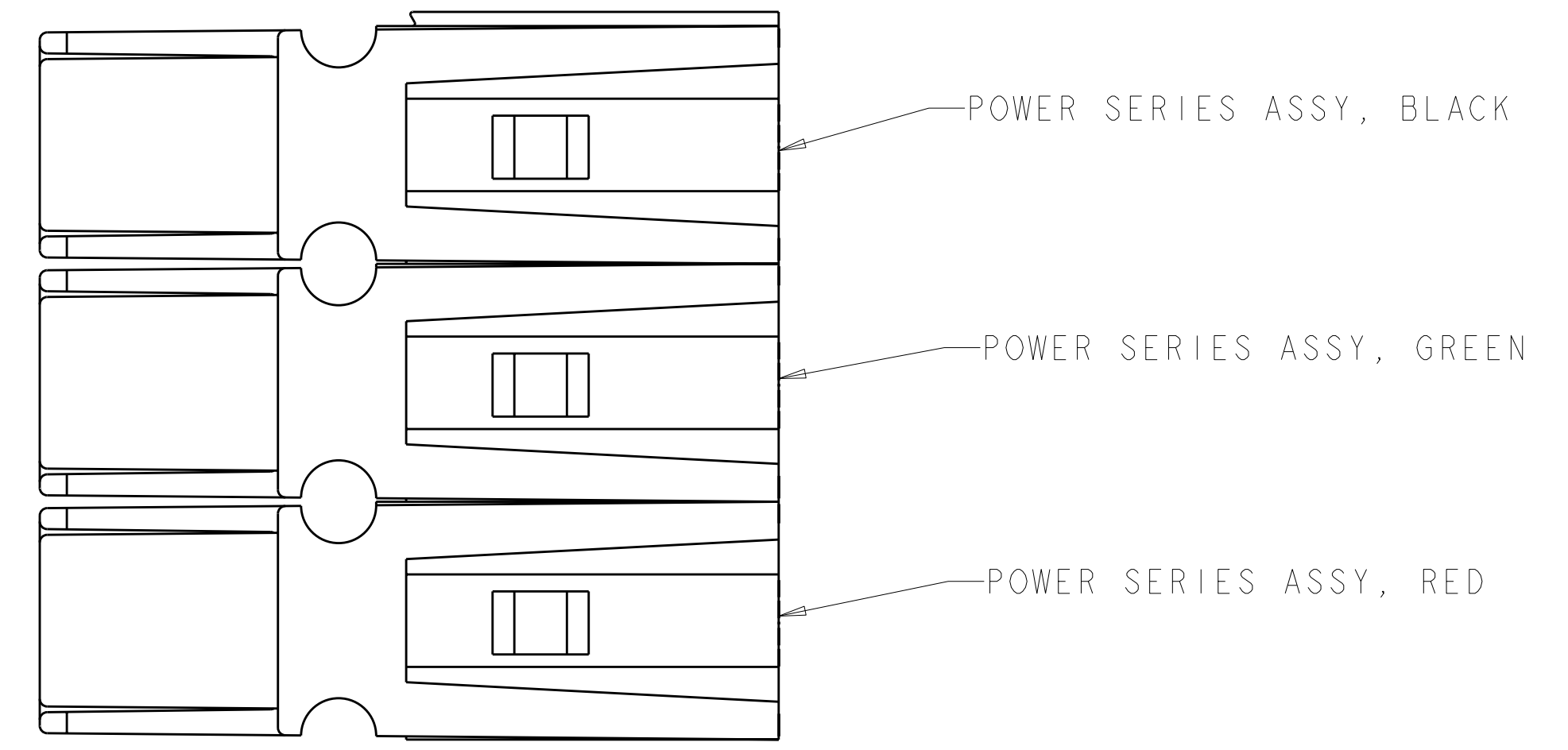
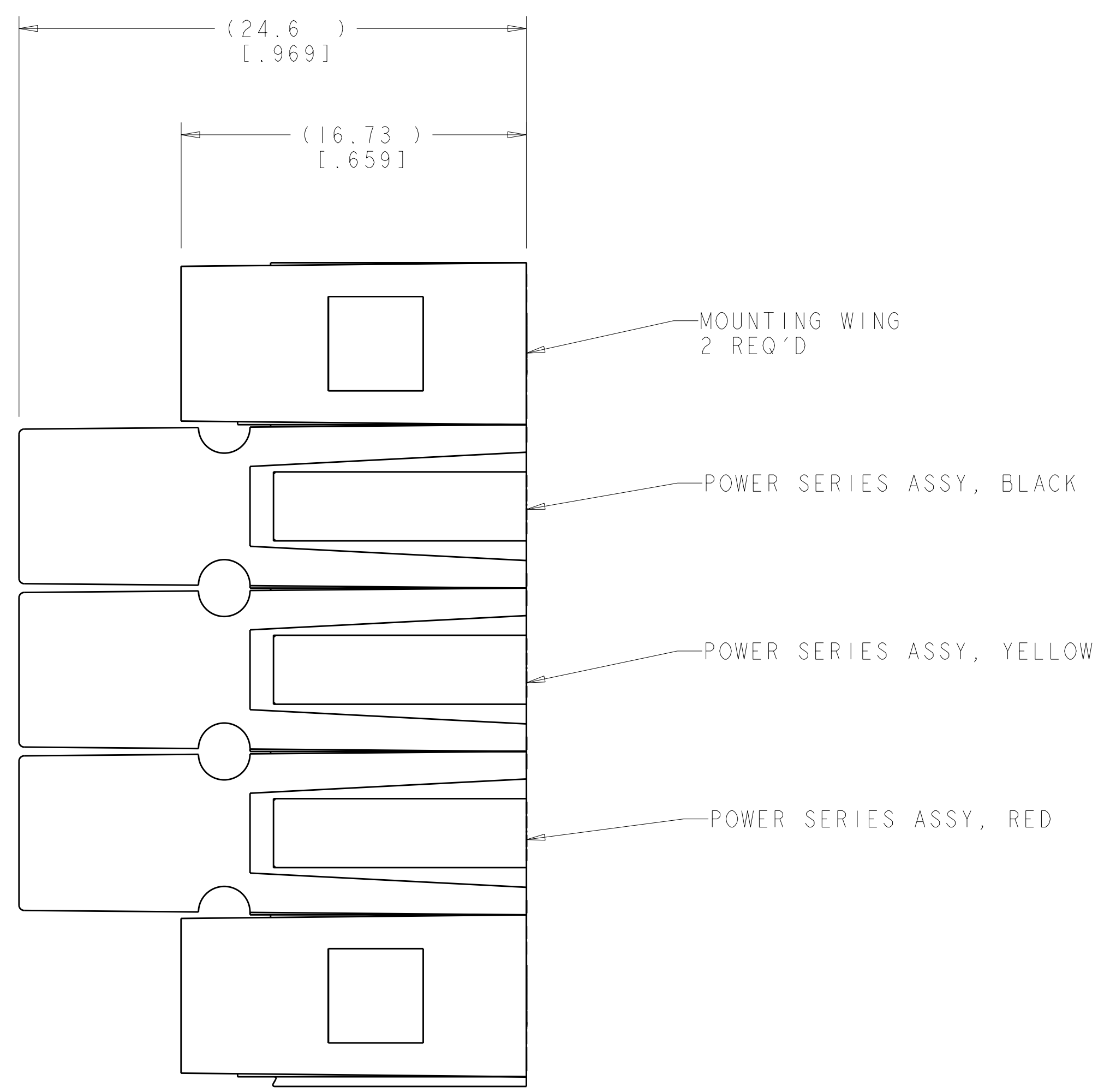
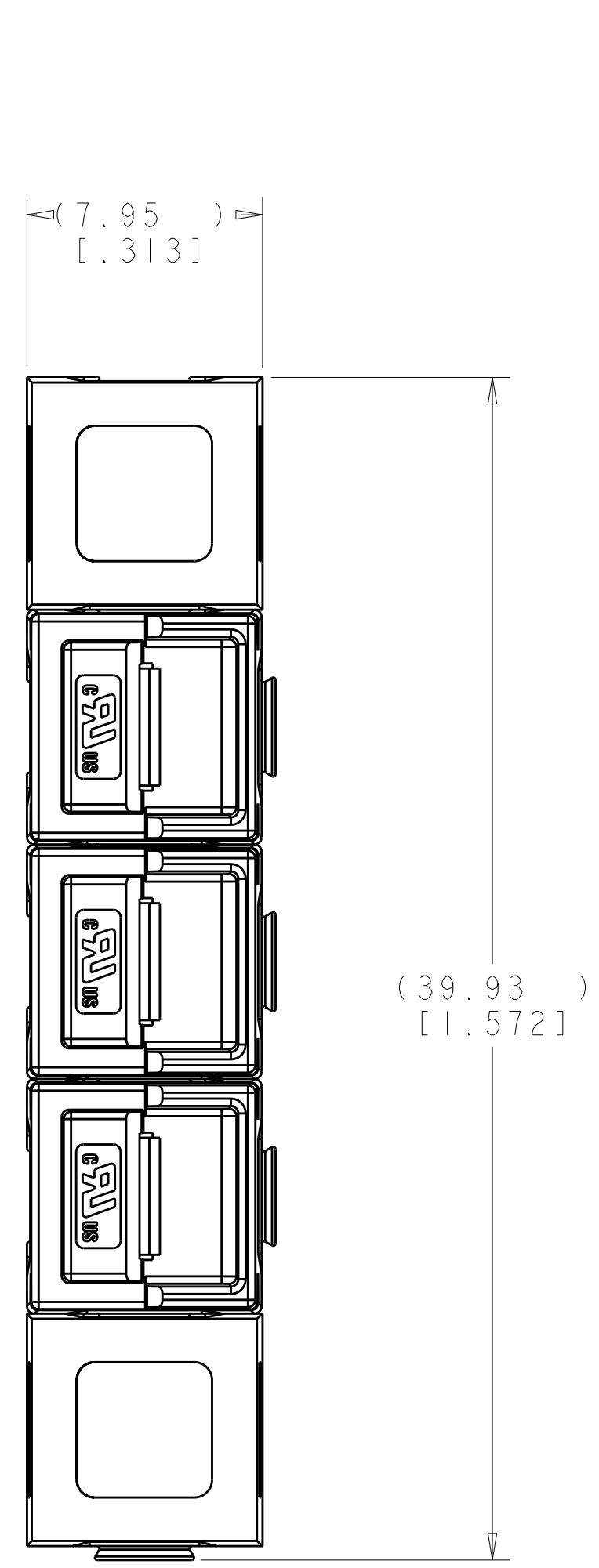
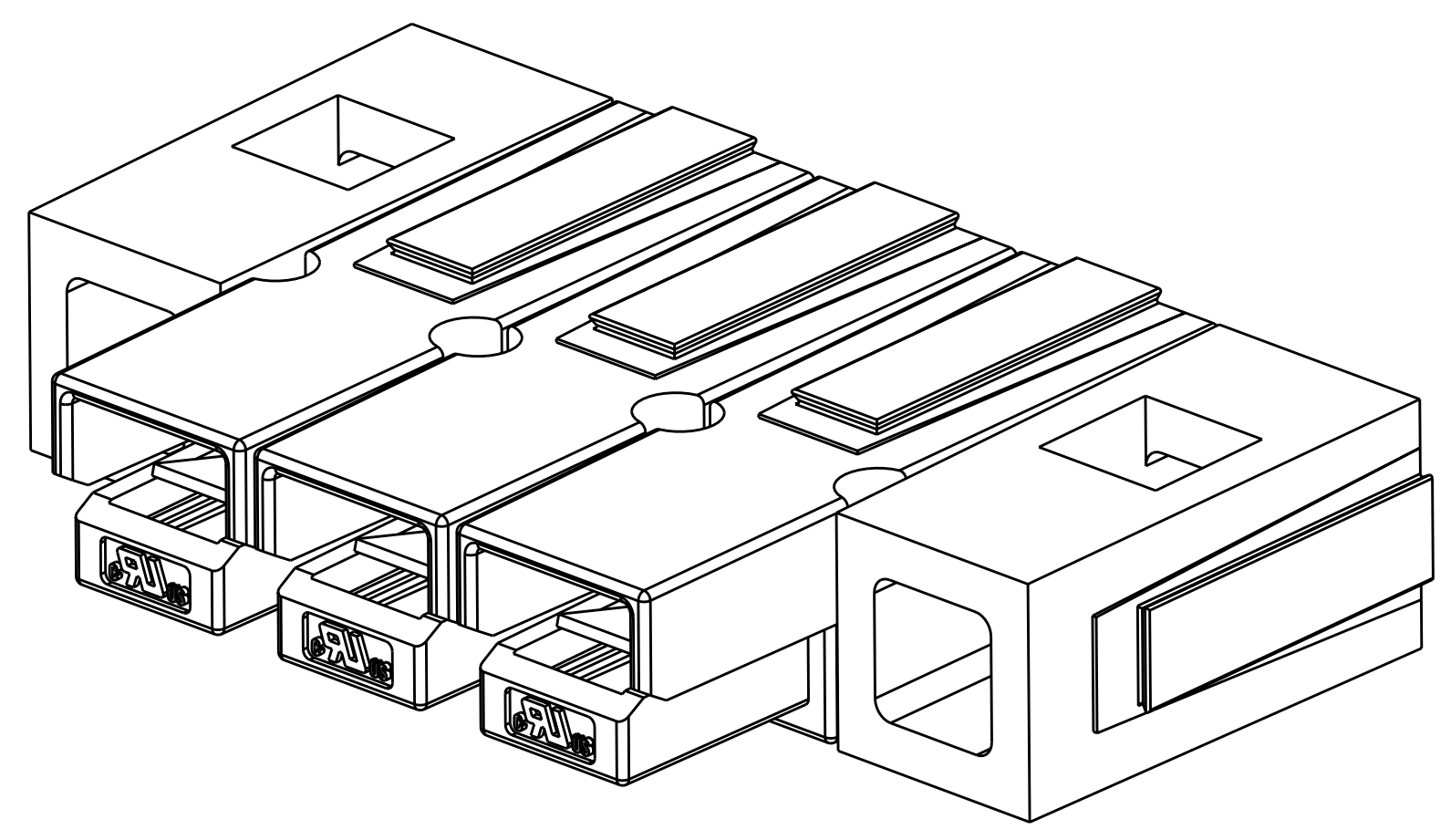


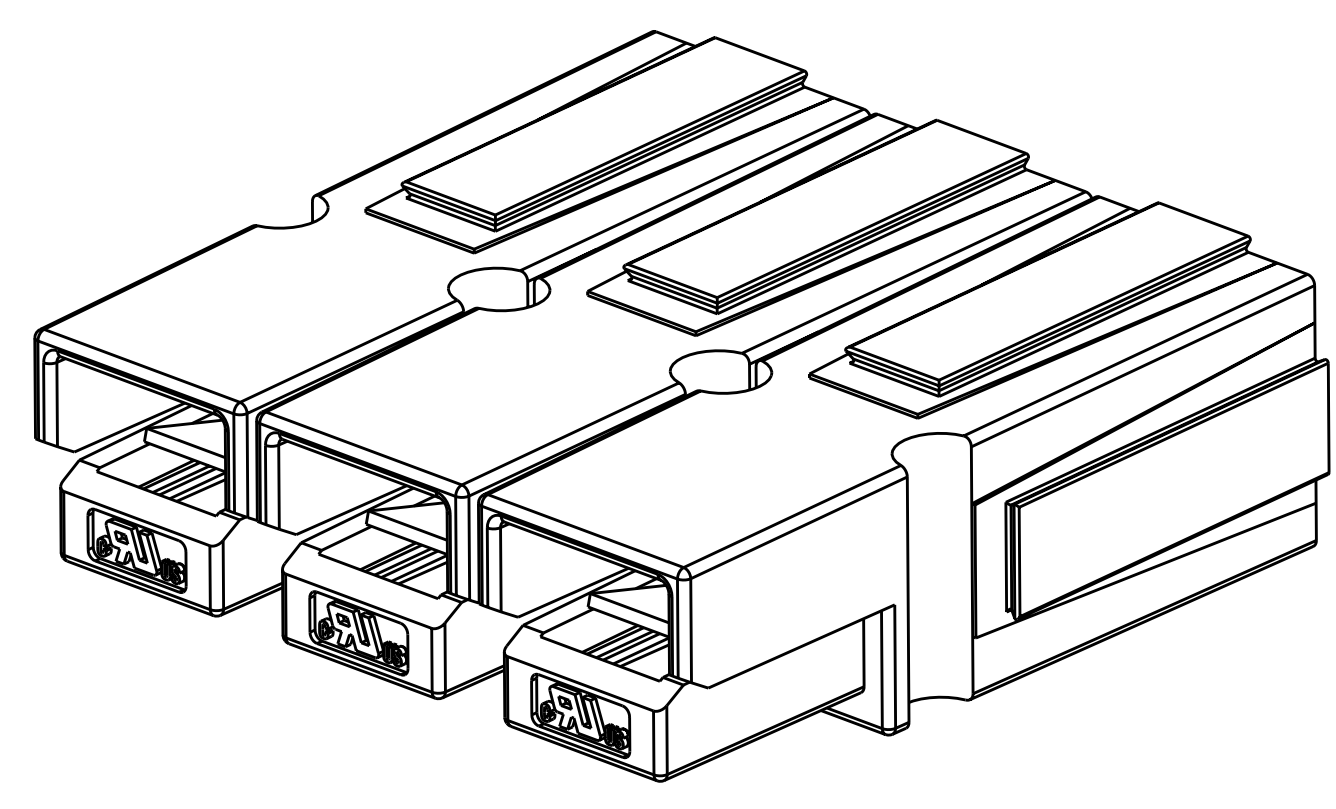
LOC	DIST	REVISIONS			
P	LTB	DESCRIPTION	DATE	DWN	APVD
A		REVISED PER ECO-05-016916	04JAN06	KW	JE
A1		REVISED PER ECO-06-004222	22FEB06	KW	JE
A2		REVISED PER ECO-09-004443	23FEB2009	SS	MS



-3 AS SHOWN



1744188-1
(WITH MOUNTING WINGS)



1744188-2
(WITHOUT MOUNTING WINGS)

2266.843	1744188-3
2266.843	1744188-2
3438.345	1744188-1
VOLUME (mm ³)	PART NO

<small>THIS DRAWING IS UNPUBLISHED. RELEASED FOR PUBLICATION BY TYCO ELECTRONICS CORPORATION. ALL RIGHTS RESERVED.</small>		DWN: R. WHITAKER 04JAN2006 CHK: J. ELLIS 04JAN2006 APVD: J. ELLIS 04JAN2006	tyco Electronics Tyco Electronics Harrisburg, PA 17105-3608
DIMENSIONS: mm TOLERANCES UNLESS OTHERWISE SPECIFIED: 0 PLC ± 1 PLC ±.13 2 PLC ± 3 PLC ± 4 PLC ± ANGLES ±40°/30° MATERIAL: - FINISH: -		PRODUCT SPEC: - APPLICATION SPEC: - WEIGHT: SEE TABLE CUSTOMER DRAWING: -	NAME: ULTRASONICALLY WELDED ASSEMBLY, AMP POWER SERIES 15/30/45 SIZE: CAGE CODE DRAWING NO: A100779C-1744188 RESTRICTED TO: - SCALE: 5:1 SHEET 1 OF 1 REV A2



单击下面可查看定价，库存，交付和生命周期等信息

[>>TE Connectivity\(泰科\)](#)