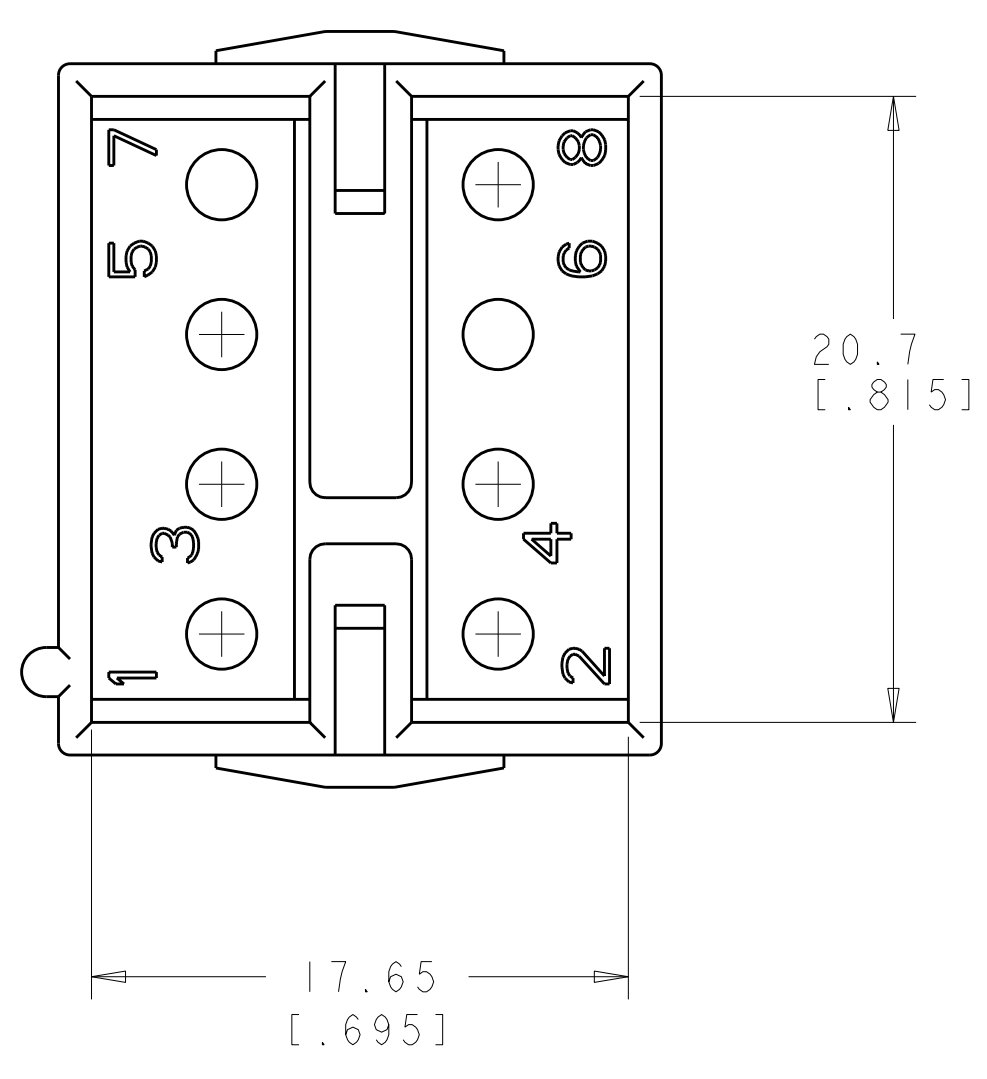
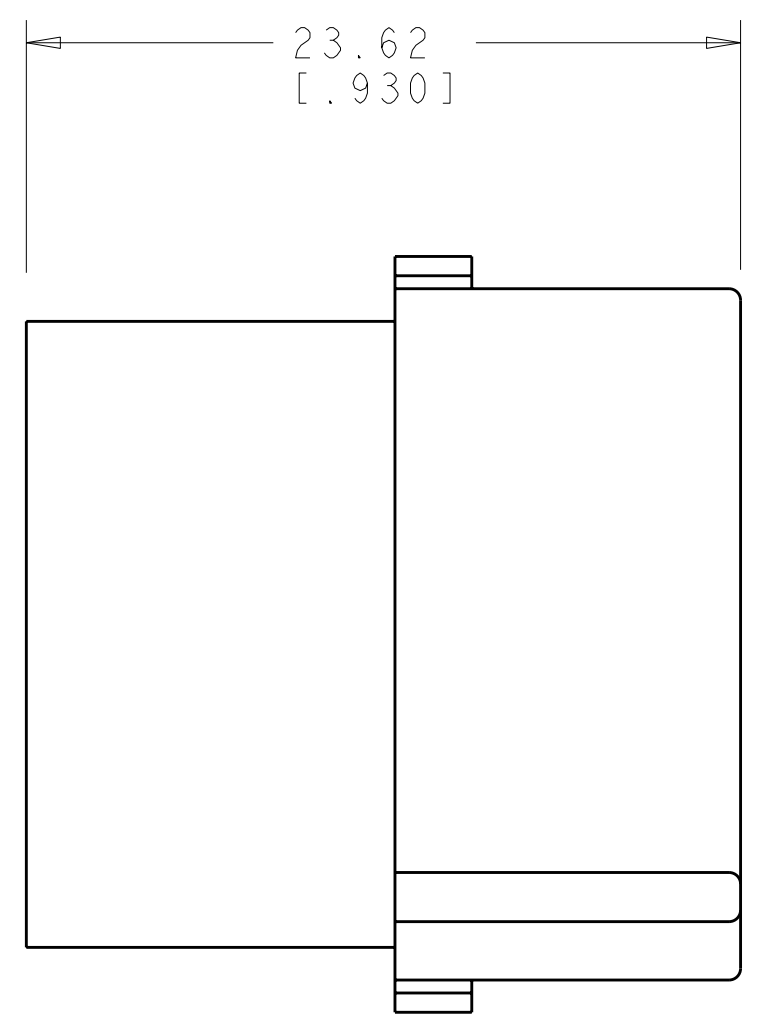
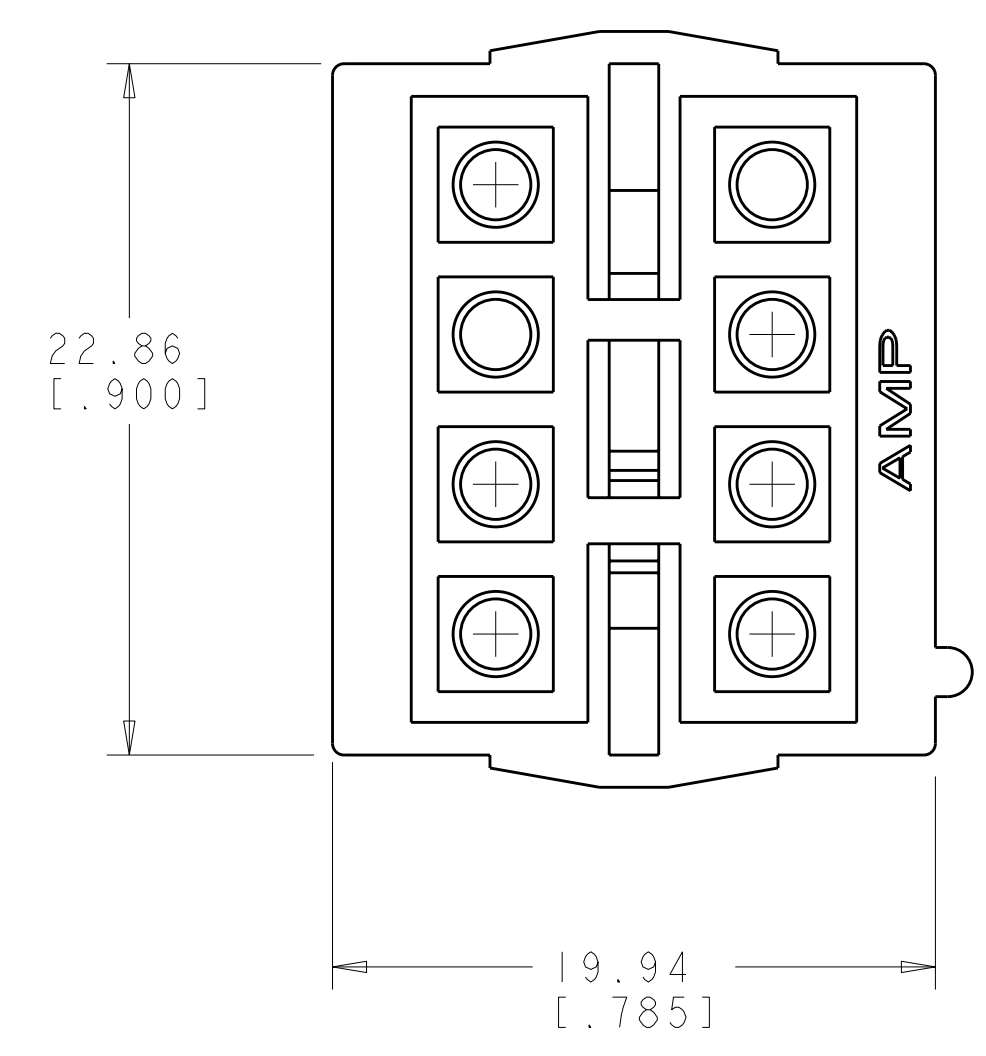
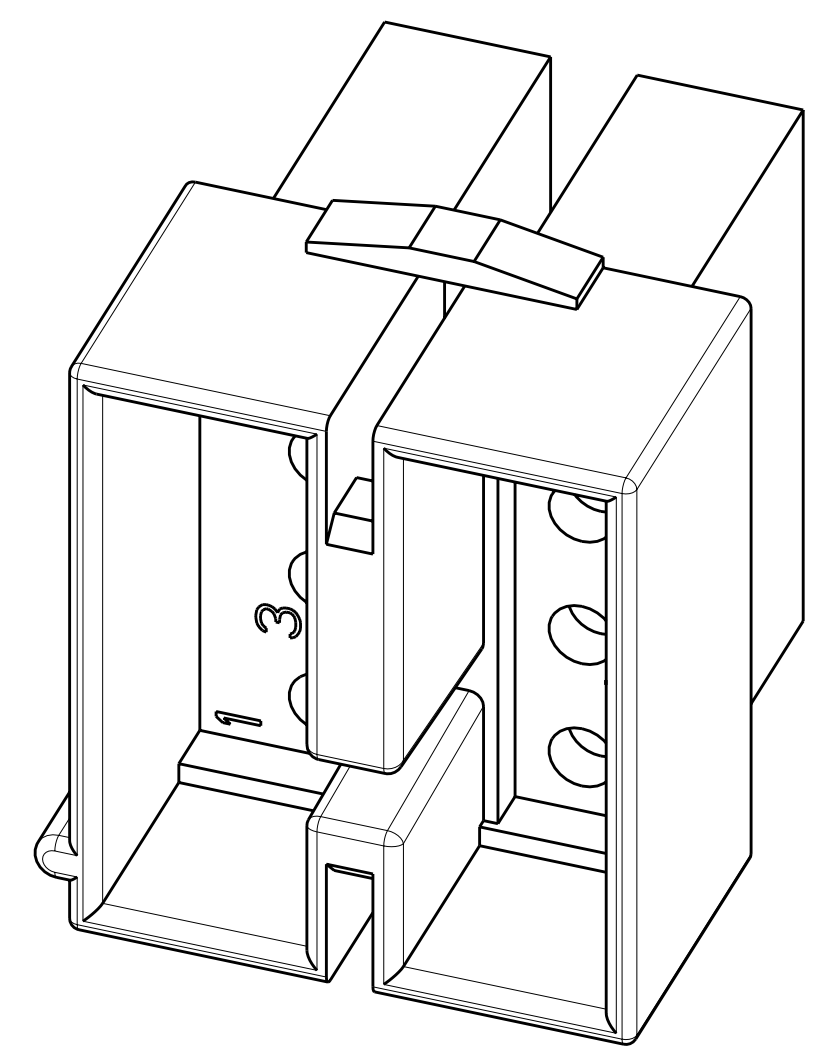
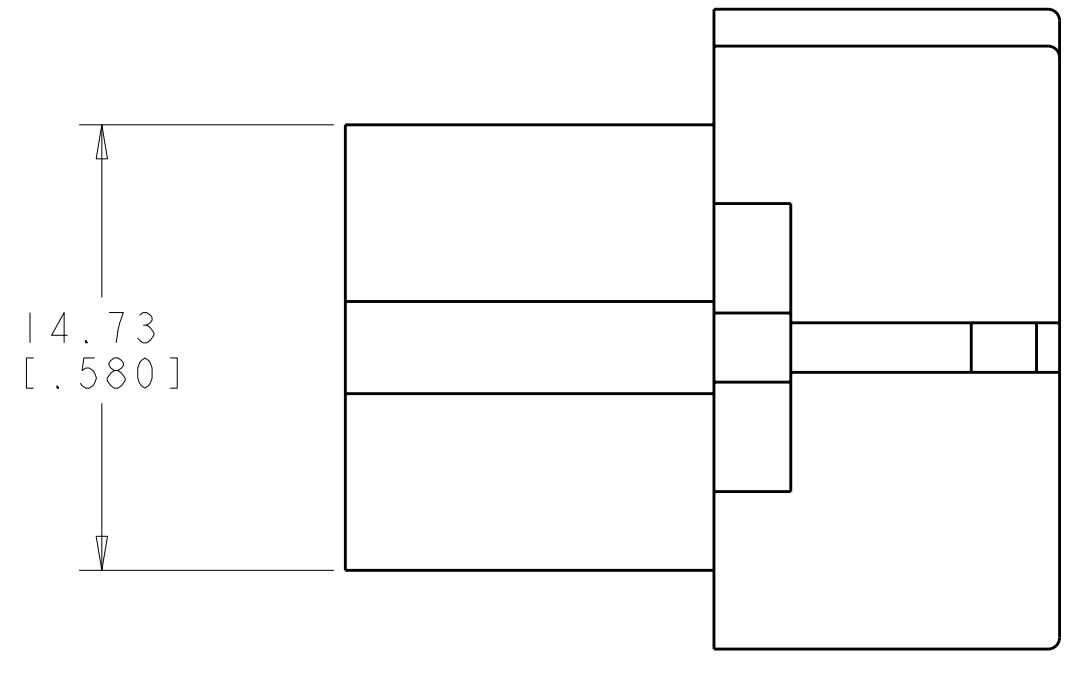


LOC	DIST	REVISIONS					
CM	00	P	LTB	DESCRIPTION	DATE	DWN	APVD
		HI		REVISED PER ECO-08-031693	19DEC2008	HMR	CC



- PART MATES WITH PLUG 480283.
- TO BE USED WITH COMMERCIAL MATE-N-LOK™ PINS.



0.24 IN ³	1-480345-0
VOLUME	PART NUMBER

METRIC

<small>THIS DRAWING IS UNPUBLISHED. RELEASED FOR PUBLICATION BY TYCO ELECTRONICS CORPORATION. ALL RIGHTS RESERVED.</small>		DWN: R. WHITAKER 20DEC2007 CHK: C. CASH 20DEC2007 APVD: C. CASH 20DEC2007	Tyco Electronics Harrisburg, PA 17105-3608
DIMENSIONS: mm [INCHES]	TOLERANCES UNLESS OTHERWISE SPECIFIED: 9 PLC ± 8 PLC ±0.13 (1.005) 5 PLC ± 4 PLC ± ANGLES ±40° 30'	NAME: CAP. 8 CIRCUIT, COMMERCIAL MATE-N-LOK (TM) PRODUCT SPEC: APPLICATION SPEC: WEIGHT:	SIZE: A 00779 C=480345 SCALE: 4:1 SHEET: 1 OF 1 REV: H
MATERIAL: NYLON, UL 94V-2 NATURAL FINISH:	CUSTOMER DRAWING	RESTRICTED TO	CUSTOMER DRAWING

单击下面可查看定价，库存，交付和生命周期等信息

[>>TE Connectivity\(泰科\)](#)