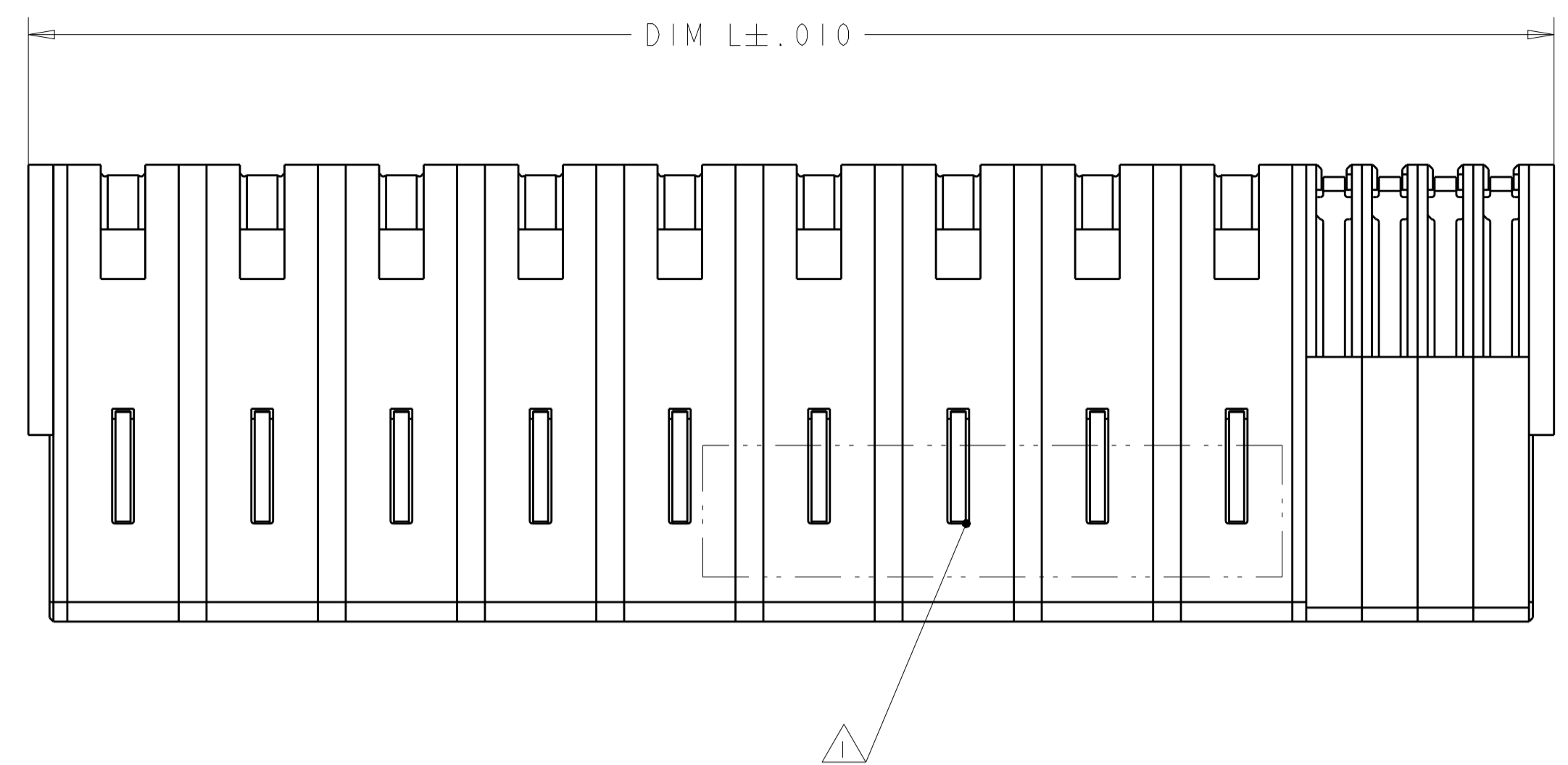
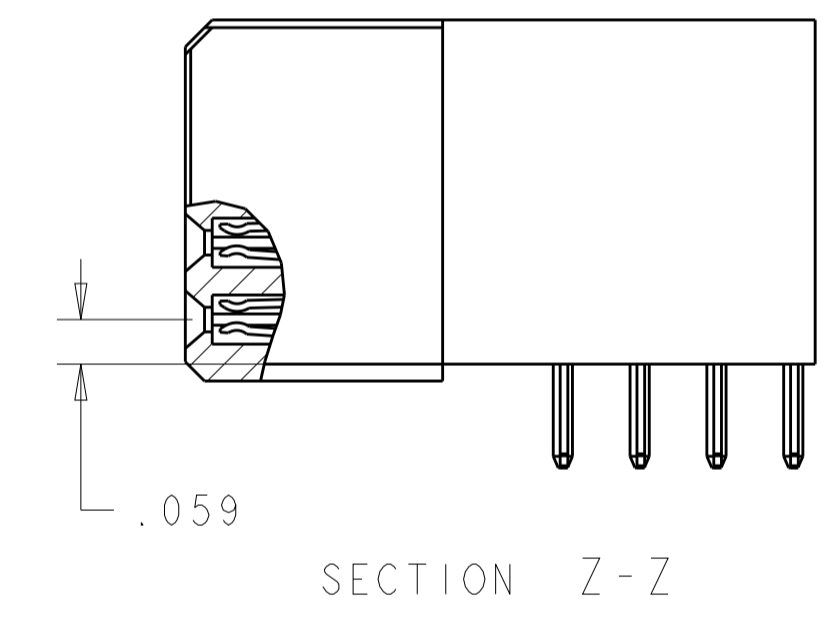
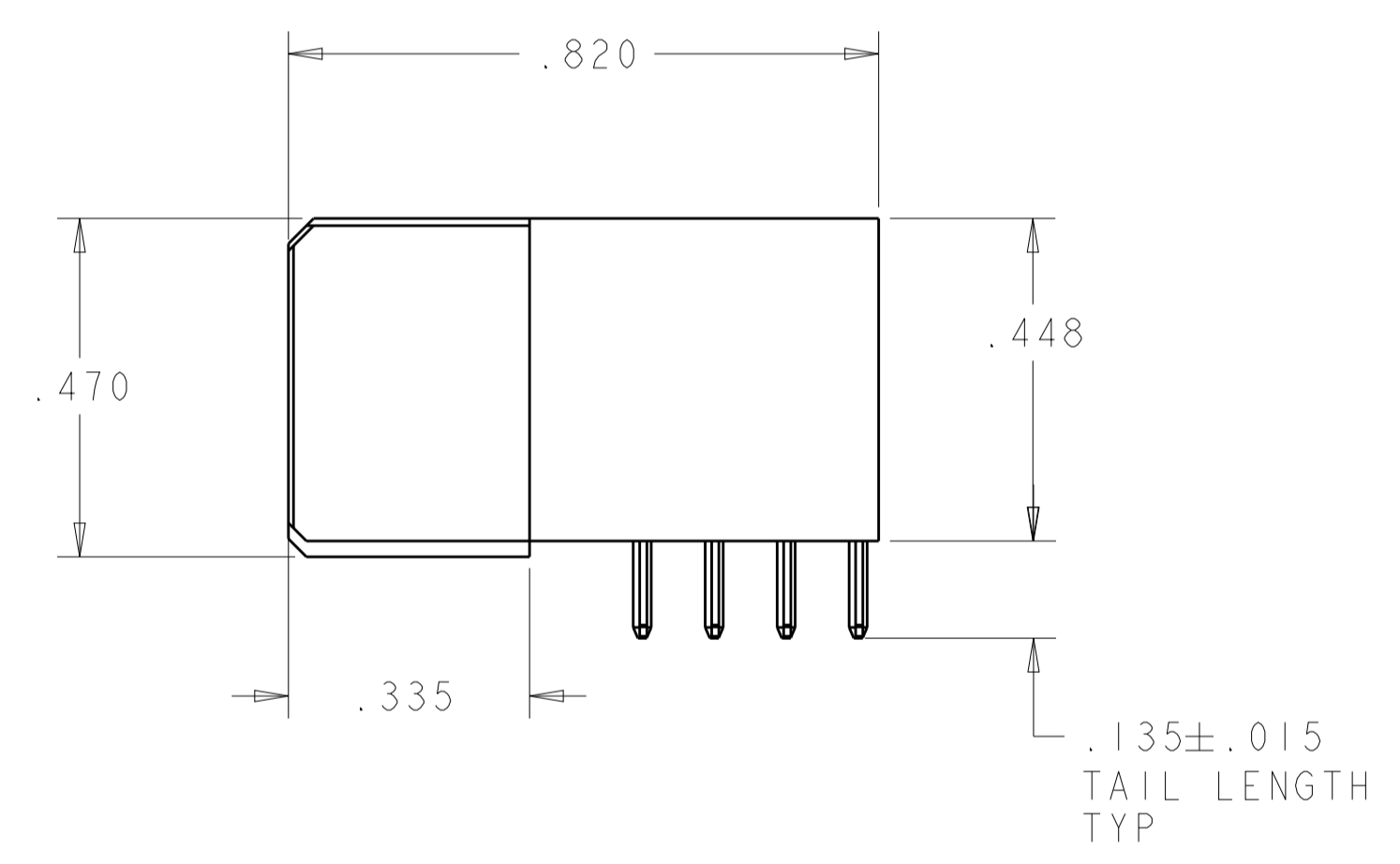
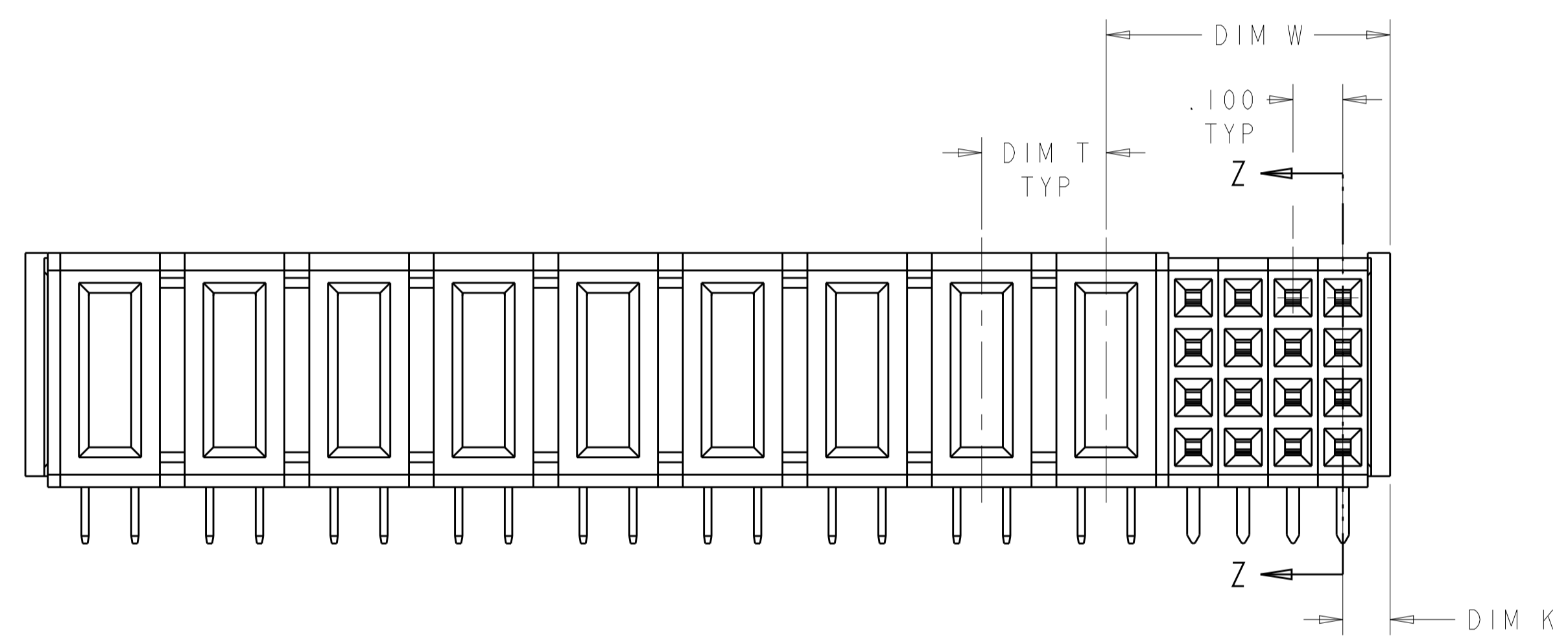


LOC	DIST	REVISIONS					
		P	LTN	DESCRIPTION	DATE	DWN	APVD
ES	00	A		REV PER ECR-07-009452	24APR2007	CZ	SY
		A1		REV PER ECR-07-014423	18JUN207	CZ	SY
		A2		ADVISED	16MAR2013	ML	SZ



- 1 "AMP", PART NUMBER, AND DATE CODE TO BE MARKED IN AREA SHOWN.
- 2 MATERIAL: HOUSING - GLASS FILLED HIGH TEMP THERMO PLASTIC, UL94 V-0
 SIGNAL CONTACT - HIGH CONDUCTIVITY COPPER ALLOY
 POWER CONTACT - HIGH CONDUCTIVITY COPPER ALLOY
- 3 CONTACT PLATING: NOBLE METAL PLATING ON CONTACT FUNCTIONAL AREA OF POWER AND SIGNAL CONTACTS
- 4 MECHANICAL CONNECTOR KEEP OUT ZONE.
- 5 DATUM AND BASIC DIMENSIONS ESTABLISHED BY CUSTOMER.
- 6 PCB - ALL HOLE DIAMETERS ARE FINISHED HOLE SIZES.
- 7 PCB - .0453 +/- .0010 DRILLED HOLES PLATES WITH .0003 MIN Sn OVER .001 TO .003 PLATING TO ACHIEVE A .040 DIA. HOLE.



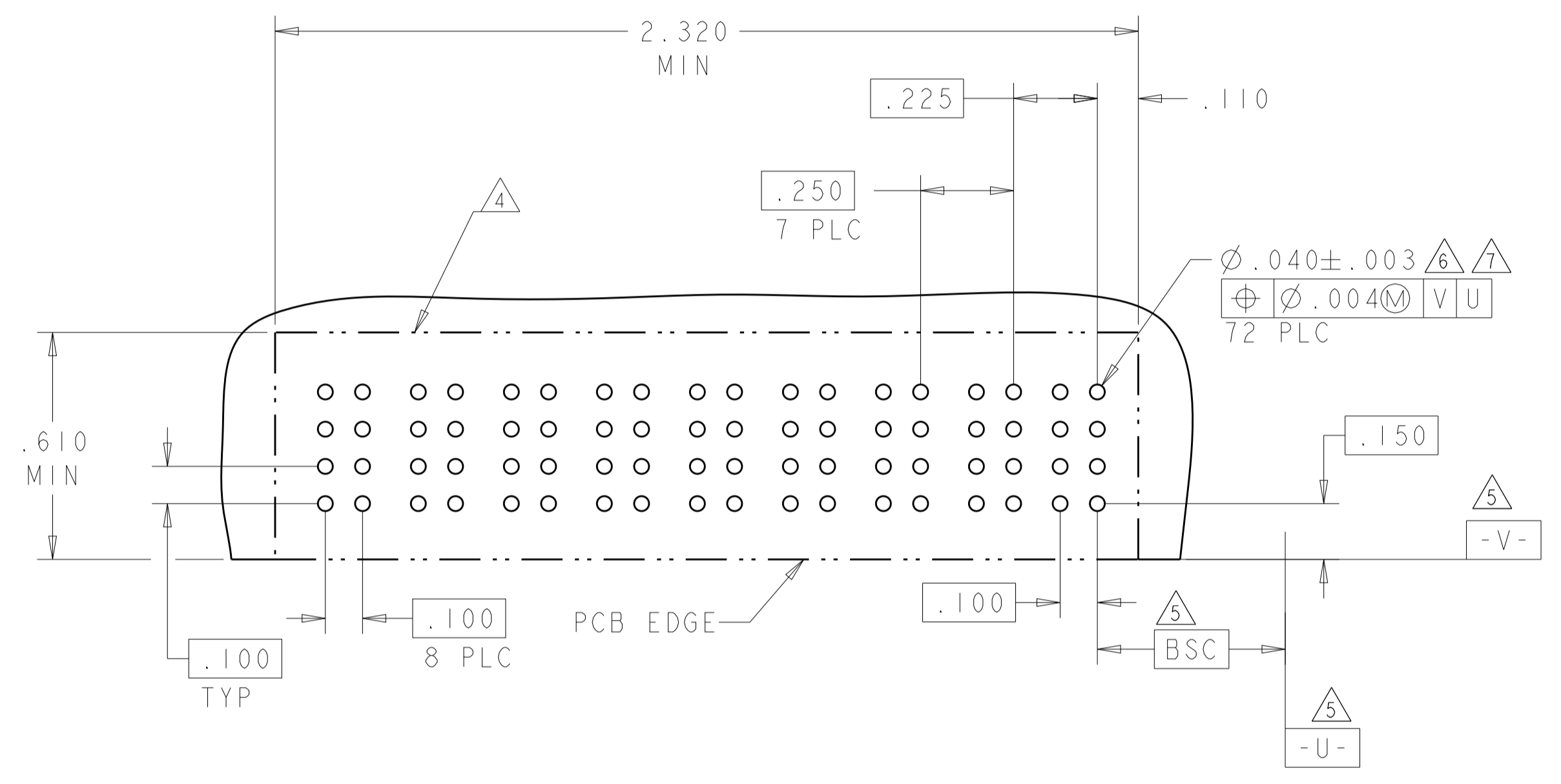
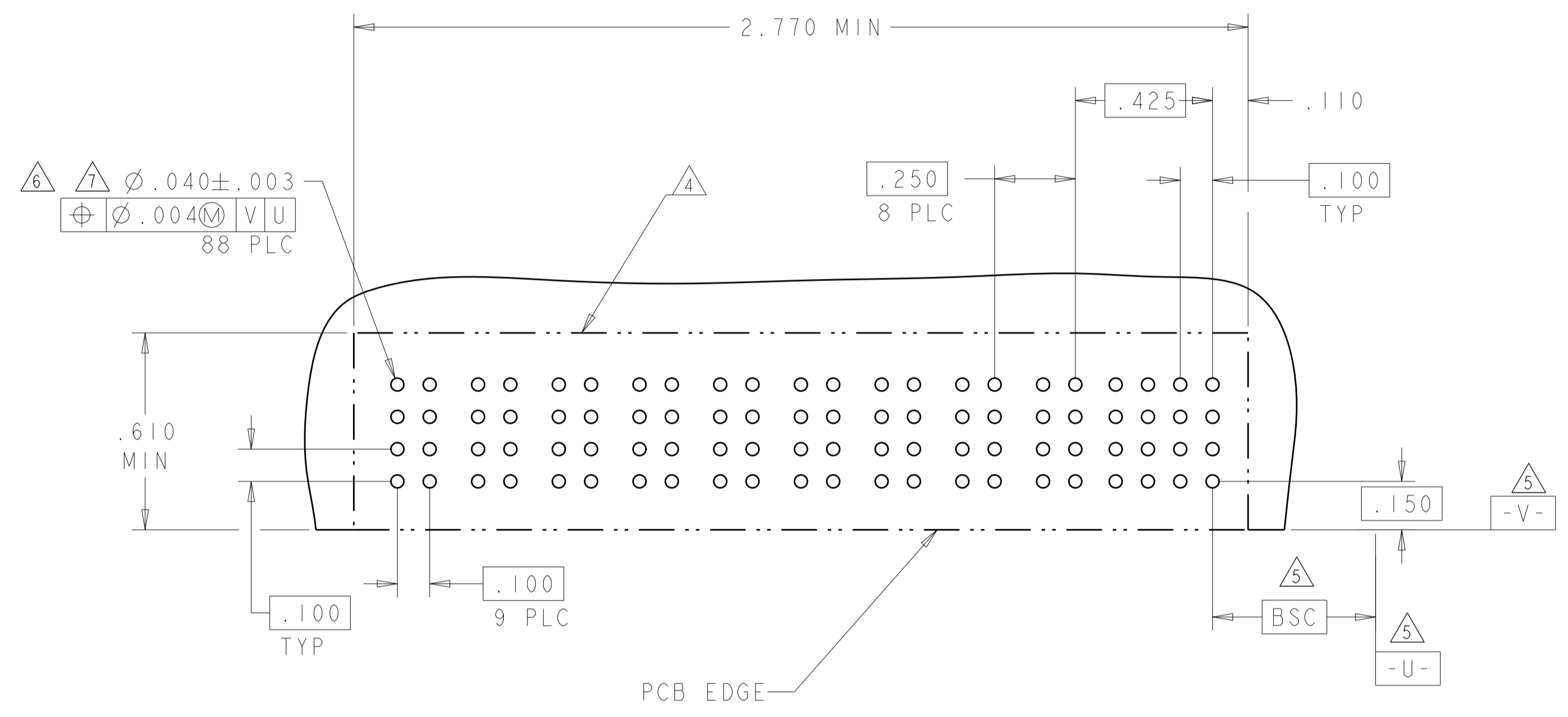
.250	.370	.095	2.290	8S + 8P	6450165-2
.250	.570	.095	2.740	16S + 9P	6450165-1
DIM T	DIM W	DIM K	DIM L	DESCRIPTION	PART NUMBER

DIMENSIONS: INCHES 		TOLERANCES UNLESS OTHERWISE SPECIFIED: 0 PLC ±. 1 PLC ±.01 2 PLC ±.01 3 PLC ±.005 4 PLC ±.0020 ANGLES ±.7°		DWN: CECILY.ZHOU 24APR2007 CHK: S.ZHAO 24APR2007 APVD: S.YAO NAME: S.YAO PRODUCT SPEC: 108-1973 APPLICATION SPEC: 114-13038 WEIGHT: - FINISH: -		Tyco Electronics Tyco Electronics incorporated Shanghai, P.R.China. 200233	
MATERIAL: 2 FINISH: 3				CUSTOMER DRAWING		RIGHT ANGLE RECEPTACLE ASSEMBLY WITH GUIDES MULTI-BEAM XL SIZE: A1 CAGE CODE: 00779 DRAWING NO: 6450165 RESTRICTED TO: - SCALE: 4:1 SHEET 1 OF 2 REV: A2	

LOC	DIST	REVISIONS			
P	LTR	DESCRIPTION	DATE	OWN	APVD
ES	00	SEE SHEET 1			

PART NUMBER	ROWS	POWER									SIGNAL			
		P9	P8	P7	P6	P5	P4	P3	P2	P1	4	3	2	1
6450165-1	D	RM	RM	RM	RM	RM	RM	RM	RM	RM	H	H	H	H
	C	RM	RM	RM	RM	RM	RM	RM	RM	RM	G	G	G	G
	B	RM	RM	RM	RM	RM	RM	RM	RM	RM	F	F	F	F
	A	RM	RM	RM	RM	RM	RM	RM	RM	RM	E	E	E	E
16S + 9P														

PART NUMBER	ROWS	POWER								SIGNAL	
		P8	P7	P6	P5	P4	P3	P2	P1	2	1
6450165-2	D	RM	RM	RM	RM	RM	RM	RM	RM	H	H
	C	RM	RM	RM	RM	RM	RM	RM	RM	G	G
	B	RM	RM	RM	RM	RM	RM	RM	RM	F	F
	A	RM	RM	RM	RM	RM	RM	RM	RM	E	E
8S + 8P											



CODE	DESCRIPTION	ROW
H	SIGNAL CONTACT, STD	D
G	SIGNAL CONTACT, STD	C
F	SIGNAL CONTACT, STD	B
E	SIGNAL CONTACT, STD	A
RM	POWER CONTACT, STD	-
CONTACT		

<small>THE DRAWING IS UNPUBLISHED. IT IS THE PROPERTY OF TYCO ELECTRONICS CORPORATION. IT IS TO BE KEPT IN CONFIDENTIALITY AND NOT TO BE REPRODUCED OR TRANSMITTED IN ANY FORM OR BY ANY MEANS, ELECTRONIC OR MECHANICAL, INCLUDING PHOTOCOPYING, RECORDING, OR BY ANY INFORMATION STORAGE AND RETRIEVAL SYSTEM, WITHOUT THE WRITTEN PERMISSION OF TYCO ELECTRONICS CORPORATION.</small>		DWN: 24APR2007 CHK: S. ZHAO APVD: S. YAO	Tyco Electronics incorporated Shanghai, P.R. China. 200233
DIMENSIONS: INCHES	TOLERANCES UNLESS OTHERWISE SPECIFIED: 0 PLC ±. 1 PLC ±.01 2 PLC ±.01 3 PLC ±.005 4 PLC ±.0020 ANGLES ±.020	NAME: S. YAO PRODUCT SPEC: 108-1973 APPLICATION SPEC: 114-13038	SIZE: A1 CAGE CODE: 00779 DRAWING NO: 6450165
MATERIAL: -	FINISH: -	WEIGHT: -	RESTRICTED TO: -
CUSTOMER DRAWING		SCALE: 4:1	SHEET 2 OF 2 REV A2

单击下面可查看定价，库存，交付和生命周期等信息

[>>TE Connectivity\(泰科\)](#)