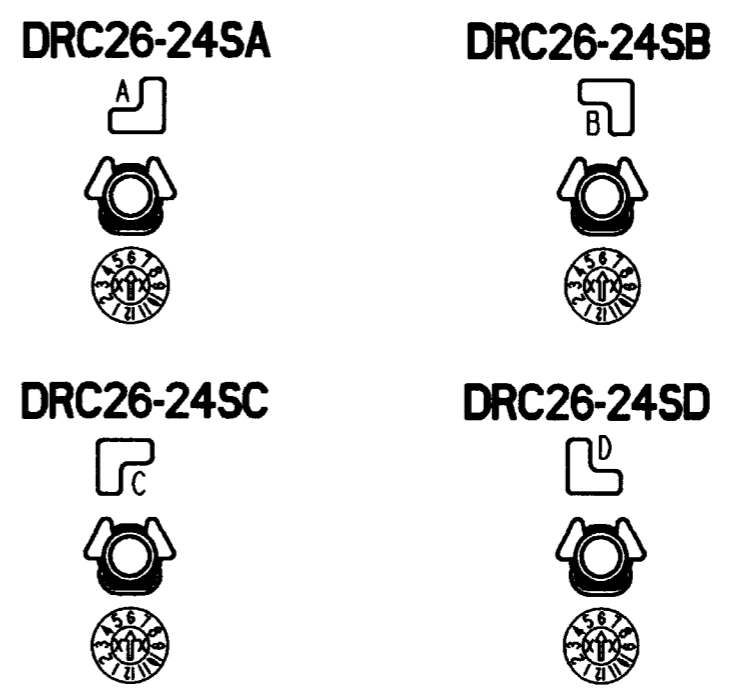
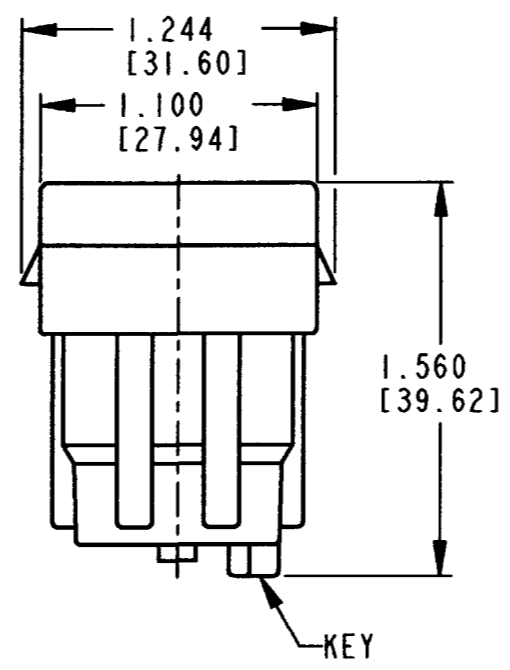


REV C DRC26-24S*

REVISIONS			
SYM	DESCRIPTION	DATE	APPROVED
NC	NEW RELEASE PER E.O. A14752	12-5-94	R.D.R.
A	REVISED & REDRAWN PER E.O. P17011	12-22-00	R.D.R.
B	REVISED PER E.O. P18099	4-7-03	R.D.R.
C	REVISED PER E.O. P18686	9-27-04	RDR



- SEE KEY ORIENTATION
4. THIS CONNECTOR WILL ACCOMMODATE THE FOLLOWING:
- | CONTACT SIZE | MIN. INSUL. O.D. | MAX. INSUL. O.D. | WIRE GAUGE RANGE REF ONLY |
|--------------|------------------|------------------|---------------------------------------|
| 20 | .040 [1.016] | .095 [2.413] | 16 THRU 20 [1.00-.50mm ²] |

8. MATERIAL: HOUSING: PLASTIC (BLACK); BOLT: STAINLESS STEEL; CLIP: STEEL; GROMMET: RUBBER.
7. THIS PLUG MATES WITH DRC23-24P*--**** RECEPTACLE. (* = A,B,C,D KEYS; **** = ALL MODIFICATIONS)
6. FOR CONTACT AND WIRE PERFORMANCE AND APPLICATION CHARACTERISTICS SEE ENVELOPE DRAWING 0425-015-0000.
5. RECOMMENDED RETAINING BOLT TORQUE: 25-28 IN-LB [2.82-3.16 NM].

3. PLUG IS SUPPLIED WITH DUST CAP (NOT SHOWN).
2. DIMENSION TOLERANCE: ±.025 [.64].
1. DIMENSIONS ARE IN INCHES [mm].
- NOTES: UNLESS OTHERWISE SPECIFIED

SIGNATURE & DATE		PLUG 24 CONTACTS, SIZE 20 DRC SERIES	CP	MATL. CODE
DR	D. MEYER 11/29/00		The Deutch Company DEUTSCH I.P.D. 3850 INDUSTRIAL AVE. HEMET, CALIF. 92545	
CHK	B. Meyer 9/20/04		B DRC26-24S* CODE 11139 SHEET OF	
PE	D. Meyer 9/20/04			
APPD	R. Reed 9-27-04	ENVELOPE		
SCALE	NONE WT			

单击下面可查看定价，库存，交付和生命周期等信息

[>>TE Connectivity\(泰科\)](#)