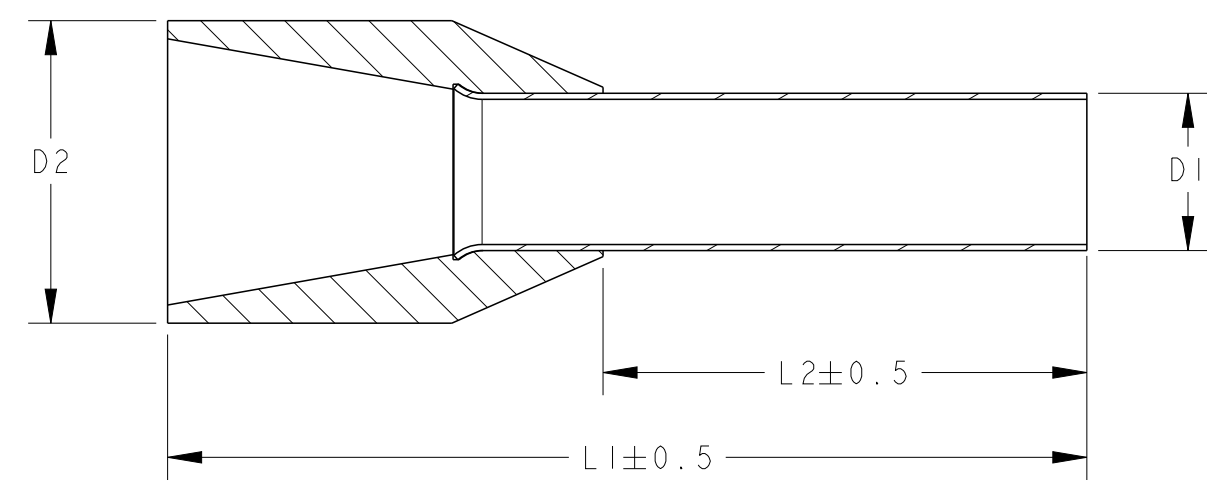


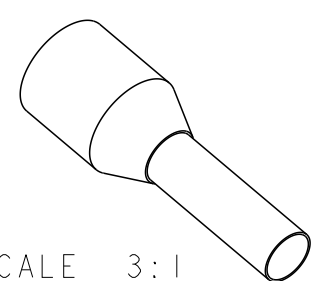
THIS DRAWING IS UNPUBLISHED. RELEASED FOR PUBLICATION
 © COPYRIGHT - ALL RIGHTS RESERVED.

LOC	DIST	REVISIONS			
P	LTR	DESCRIPTION	DATE	DWN	APVD
AL	2	A3	OBSOLESCENCE OF PN 737735-1, -2, -3	13AUG2014	KJK JK

PART NUMBER	SECTION mm2	L1	L2	D1	D2	COLOR	QTY/BAG
737730-1	0.5	12.0	6.0	1.0	2.6	WHITE	200
737730-2		14.0	8.0				
737730-3		16.0	10.0				
737731-1	0.75	12.0	6.0	1.2	2.8	GREY	200
737731-2		14.0	8.0				
737731-3		16.0	10.0				
737731-4		18.0	12.0				
737732-1	1.0	12.0	6.0	1.4	3.0	RED	200
737732-2		14.0	8.0				
737732-3		16.0	10.0				
737732-4	1.5	18.0	12.0	1.7	3.5	BLACK	200
737733-1		14.0	8.0				
737733-2		16.0	10.0				
737733-3	OBSOLETE	18.0	12.0	2.2	4.2	BLUE	100
737733-4		24.0	18.0				
737734-1		14.0	8.0				
737734-2	OBSOLETE	18.0	12.0	2.8	4.8	GREY	100
737734-3		24.0	18.0				
737735-1	OBSOLETE	17.0	10.0	3.5	6.3	YELLOW	100
737735-2		20.0	12.0				
737735-3		26.0	18.0				
737736-1	OBSOLETE	20.0	12.0	4.5	7.6	RED	50
737736-2		26.0	18.0				
737737-1	10.0	22.0	12.0	5.8	8.8	BLUE	50
737737-2		28.0	18.0				
737738-1	16.0	24.0	12.0	7.3	11.2	YELLOW	50
737738-2		28.0	18.0				
737739-1	25.0	30.0	16.0	8.3	12.7	RED	25
737739-2		30.0	18.0				
737739-3		36.0	22.0				
737740-1	35.0	30.0	16.0	10.3	15.0	BLUE	25
737740-2		30.0	18.0				
737740-3		39.0	25.0				
737741-1	50.0	36.0	20.0	OBSOLETE	OBSOLETE	CIS STREAMLINING PER D.RENAUD/D.SINISI	25
737741-2		40.0	25.0				



- | | |
|--|---|
| 1. DIMENSIONS BASED ON
DIN 46228.4 | 1. DIMENSIONES BASADAS EN
DIN 46228.4 |
| 2. COLOR BASED ON DIN 47002 | 2. COLOR BASADO EN DIN 47002 |
| 3. USE HAND TOOL 790081-1
FOR 0.5-4.0 mm2. | 3. USAR HERRAMIENTA MANUAL
790081-1 PARA 0.5-4.0mm2. |
| USE HAND TOOL 790081-2
FOR 6.0-16.0 mm2 | USAR HERRAMIENTA MANUAL
790081-2 PARA 6.0-16.0mm2. |
| 4 FINISH FOR METAL SLEEVE:
TIN | 4 ACABADO PARA EL CASQUILLO
METALICO: ESTAÑADO. |
| 5 OBSOLETE PARTS: OBSOLETE
CIS STREAMLINING PER D.RENAUD/D.SINISI | |



THIS DRAWING IS A CONTROLLED DOCUMENT.		DWN F. J. CARBONELL 10JUL2001	TE Connectivity WIRE PIN	
DIMENSIONS: mm		CHK J. PASCUAL 10JUL2001		
TOLERANCES UNLESS OTHERWISE SPECIFIED:		APVD -	NAME	
0 PLC ±-		PRODUCT SPEC	-	
1 PLC ±0.3		108-22049	-	
2 PLC ±-		APPLICATION SPEC	-	
3 PLC ±-		WEIGHT	-	
4 PLC ±-		Customer Drawing	SIZE A3	CAGE CODE 00779
ANGLES ±-		FINISH	DRAWING NO G-737730	RESTRICTED TO
MATERIAL Cu-E PA 6.6		4	SCALE NTS	SHEET 1 OF 1
			REV A3	

单击下面可查看定价，库存，交付和生命周期等信息

[>>TE Connectivity\(泰科\)](#)