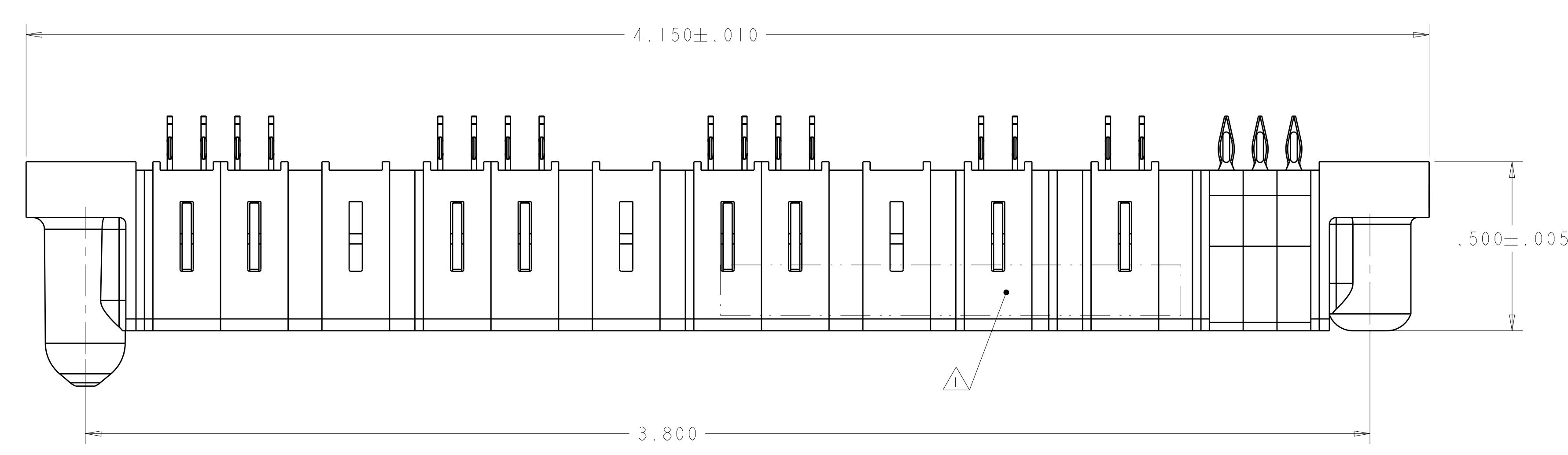
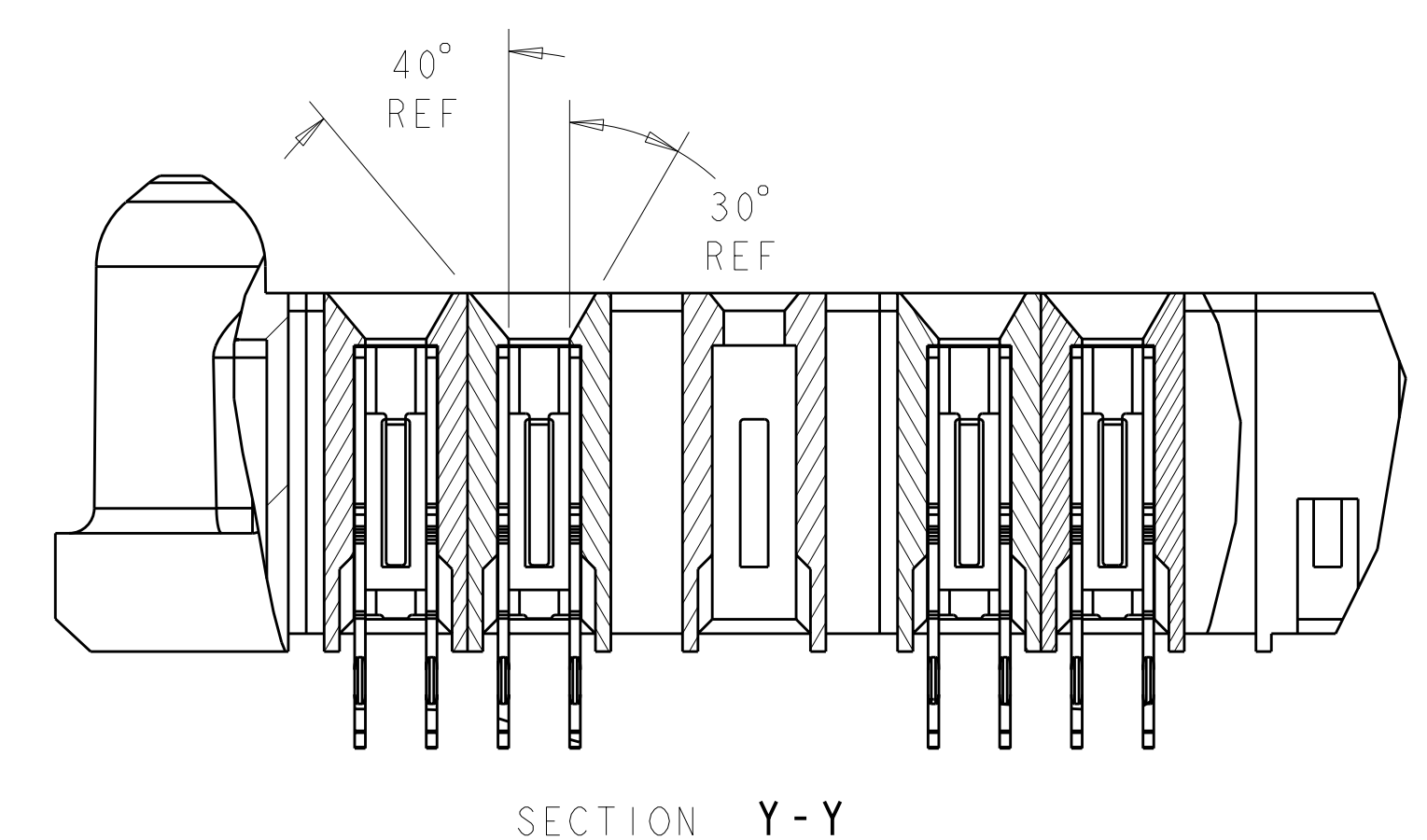
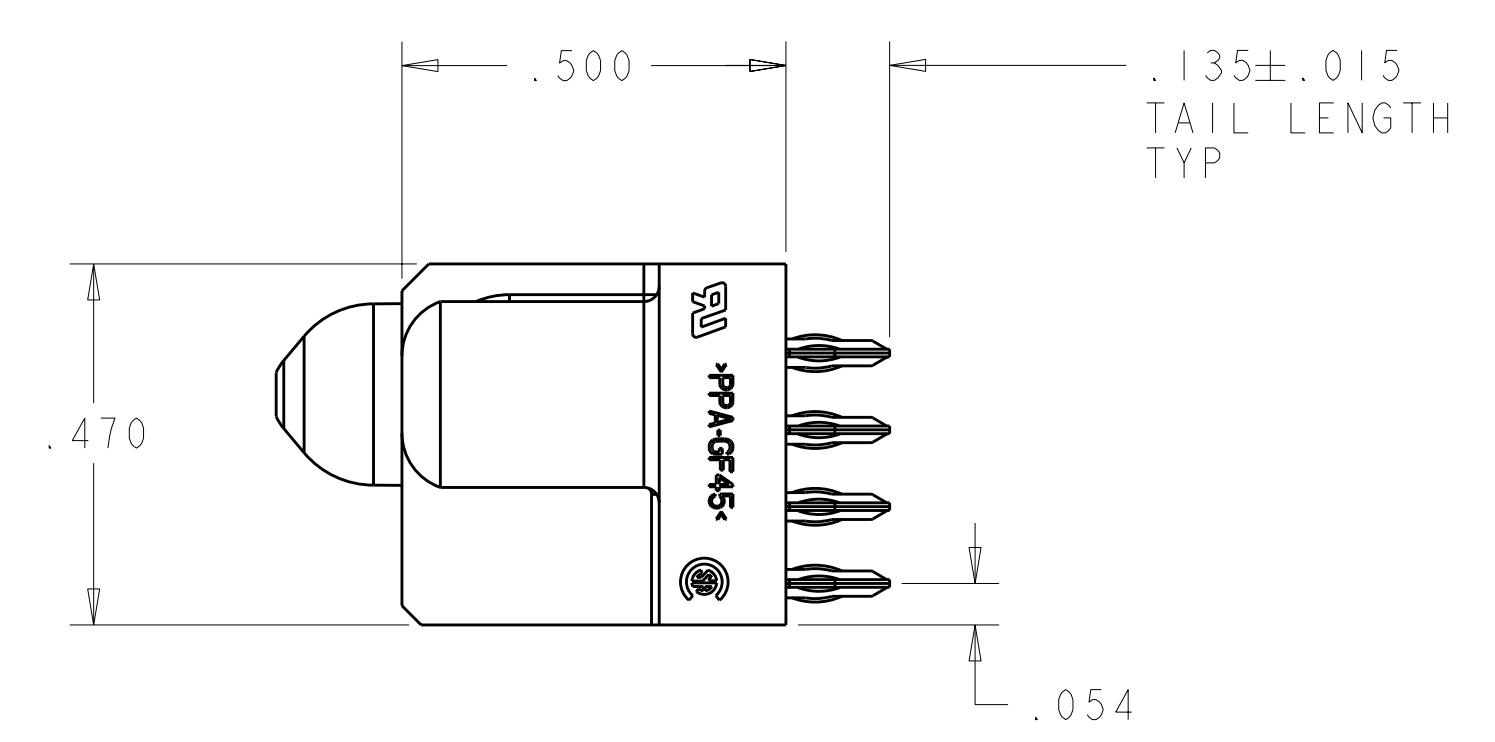
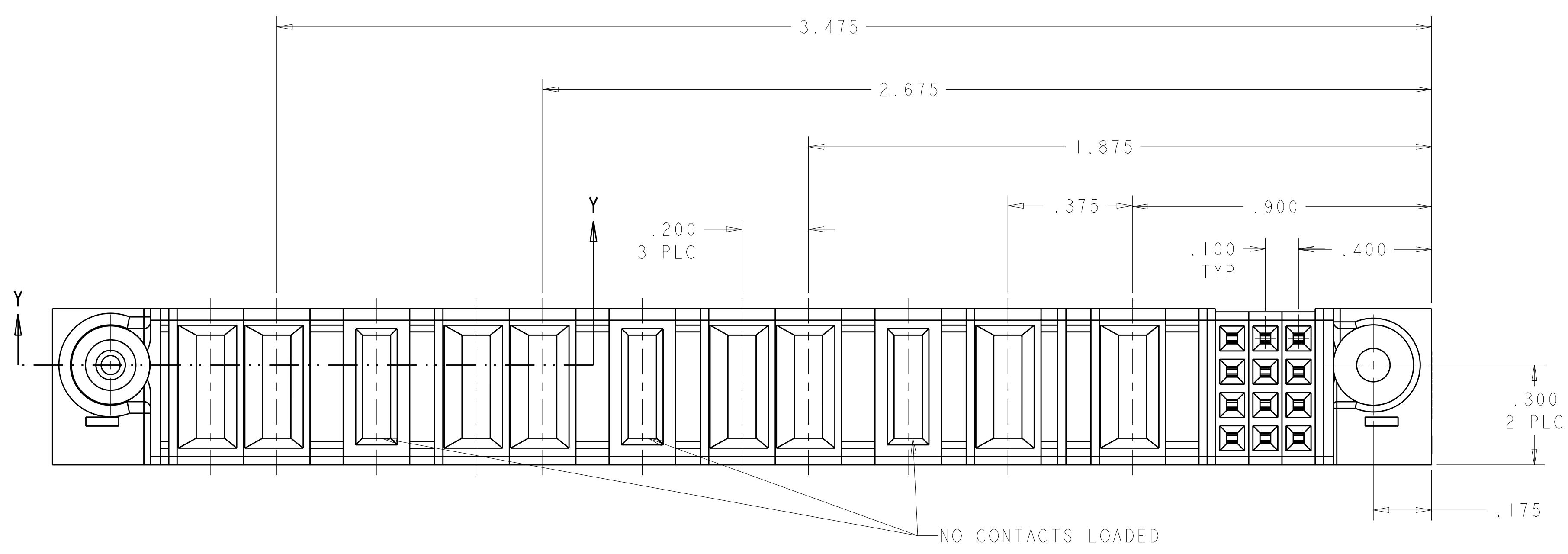


LOC	DIST	REVISIONS			
ES	00	REV	DATE	BY	APPD
		A	REV PER ECR-08-018624	25JUL2008	CZ SY



- ① "AMP", PART NUMBER, AND DATE CODE TO BE MARKED IN AREA SHOWN
- ② MATERIAL: HOUSING - GLASS FILLED HIGH TEMP THERMO PLASTIC, UL94 V-0
 SIGNAL CONTACT - HIGH CONDUCTIVITY COPPER ALLOY
 POWER CONTACT - HIGH CONDUCTIVITY COPPER ALLOY
- ③ CONTACT PLATING: SIGNAL CONTACTS - .000050 MIN Ni UNDER ALL
 .000030 MIN Au ON CONTACT AREA
 .000100 MIN Sn AT PCB INTERFACE
 POWER CONTACTS - .000050 MIN Ni UNDER ALL
 .000030 MIN Au ON CONTACT AREA
 .000100 MIN Sn AT PCB INTERFACE
- ④ MECHANICAL CONNECTOR KEEP OUT ZONE
- ⑤ DATUM AND BASIC DIMENSIONS ESTABLISHED BY CUSTOMER
- ⑥ PCB - ALL HOLE DIAMETERS ARE FINISHED HOLE SIZES
- ⑦ PCB - .0453 ± .0010 DRILLED HOLES PLATED WITH .0003 MIN Sn OVER
 .001 TO .003 CU PLATING TO ACHIEVE A .040 DIA HOLE



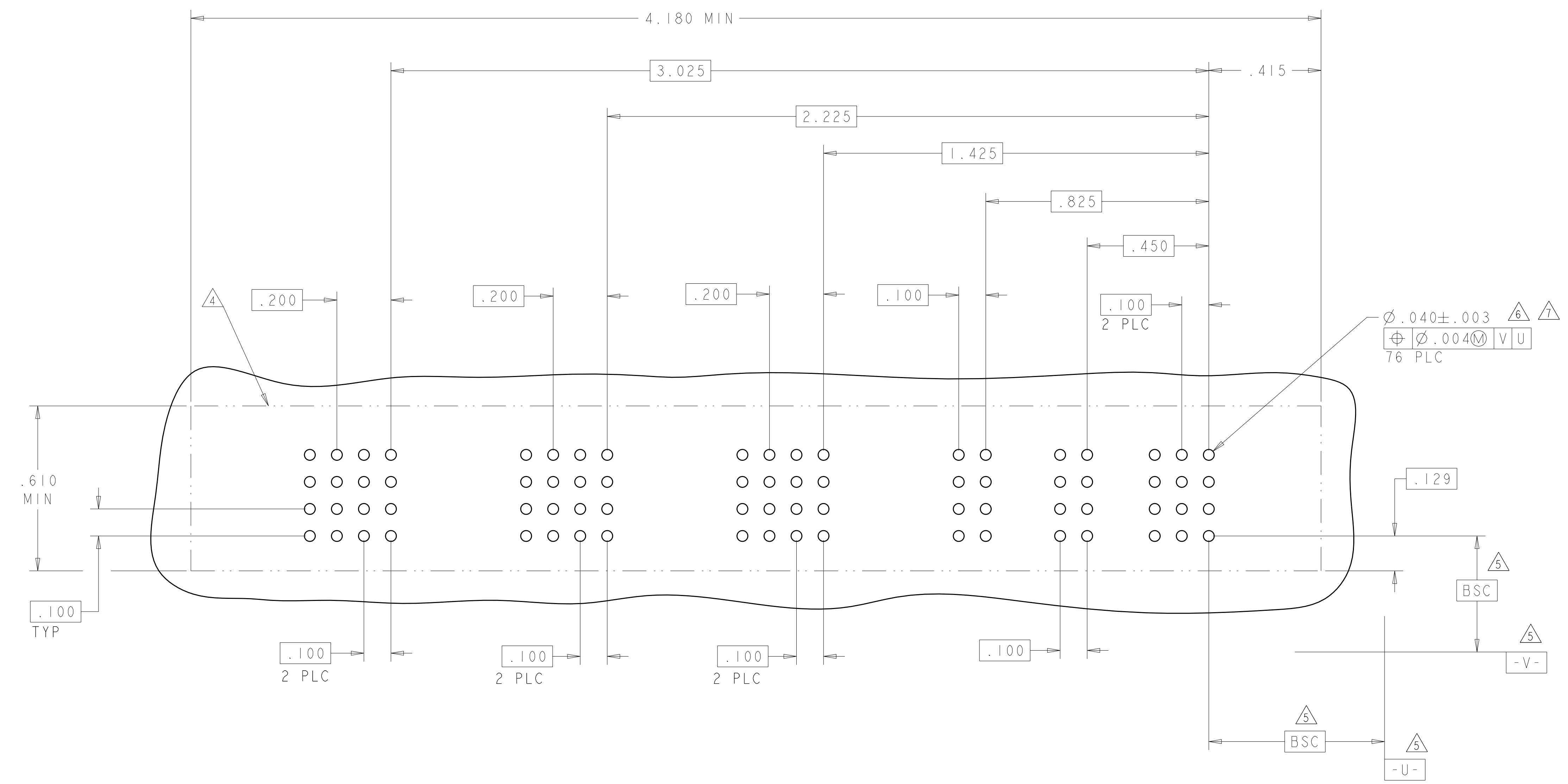
12S + IIP	1888120-2
DESCRIPTION	PART NUMBER

DIMENSIONS: INCHES 9 PLC ±.01 1 PLC ±.01 2 PLC ±.01 3 PLC ±.005 4 PLC ±.0020 ANGLES #2		TOLERANCES UNLESS OTHERWISE SPECIFIED: 9 PLC ±. 1 PLC ±.01 2 PLC ±.01 3 PLC ±.005 4 PLC ±.0020 ANGLES #2		DWN C. ZHOU 29FEB2008 CHK S. ZHAO 29FEB2008 APVD S. YAO NAME S. YAO PRODUCT SPEC 108-1973 APPLICATION SPEC 114-13038 WEIGHT CUSTOMER DRAWING		Tyco Electronics Corporation Shanghai, P.R.China, 200233 VERTICAL RECEPTACLE ASSEMBLY WITH LEFT SHORTENED GUIDE, PRESS FIT, MULTI-BEAM XL SIZE CAGE CODE DRAWING NO. RESTRICTED TO A1100779C=1888120-2 SCALE 4:1 SHEET 1 OF 2 REV A	
--	--	--	--	---	--	--	--

LOC	DIST	REV	DATE	BY	APPD
ES	00				
DESCRIPTION			DATE	DWN	APPD
SEE SHEET 1					

PART NUMBER	ROWS	POWER										SIGNAL				
		P11	P10	P9	P8	P7	P6	P5	P4	P3	P2	P1	3	2	1	
1888120-2	D C B A	GS	GS		GS	GS		GS	GS		GS	GS	GS	GS	GS	GS
													AP	AP	AP	
														AP	AP	AP
														AP	AP	AP

NO CONTACTS LOADED



CODE	DESCRIPTION
GS	POWER CONTACT, STD
AP	SIGNAL CONTACT

CONTACT TABLE

<small>THIS DRAWING IS UNPUBLISHED. RELEASED FOR PUBLICATION. COPYRIGHT 20 BY TYCO ELECTRONICS CORPORATION. ALL RIGHTS RESERVED.</small>		DWN: C. ZHOU 29FEB2008 CHK: S. ZHAO 29FEB2008 APVD: S. YAO	Tyco Electronics Corporation Shanghai, P.R.China, 200233
DIMENSIONS: INCHES TOLERANCES UNLESS OTHERWISE SPECIFIED: 9 PLC ±. 5 PLC ±.01 4 PLC ±.005 ANGLES ±.0020 #2 FINISH	PRODUCT SPEC: 108-1973 APPLICATION SPEC: 114-13038 WEIGHT:	NAME: S. YAO SIZE: A CAGE CODE: 1100779 DRAWING NO: C=1888120-2 SCALE: 4:1 SHEET: 2 OF 2 REV: A	RESTRICTED TO:

单击下面可查看定价，库存，交付和生命周期等信息

[>>TE Connectivity\(泰科\)](#)