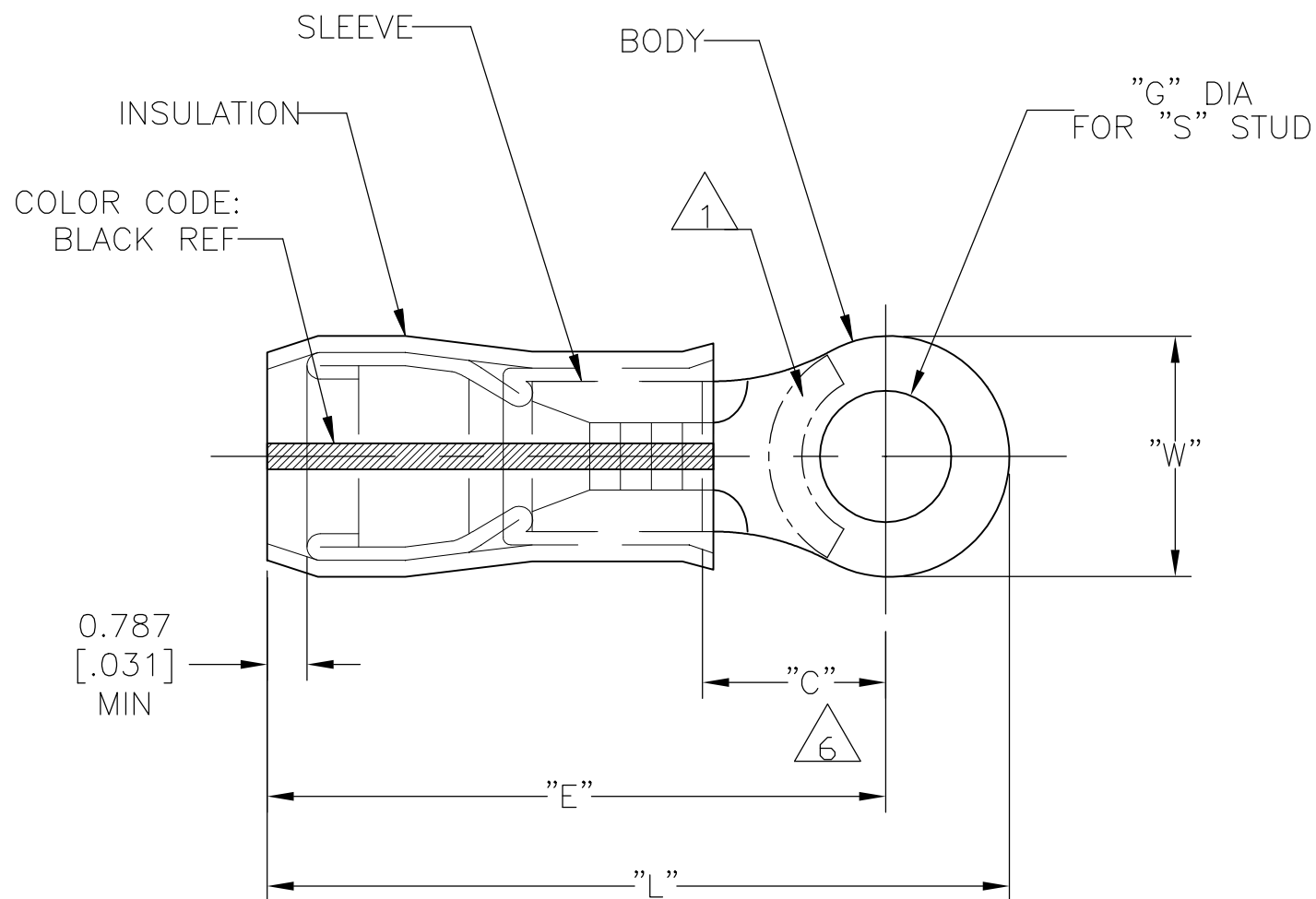


P	LTR	DESCRIPTION	DATE	DWN	APVD
	A	DRAWN	01NOV05	JR	TM
	A1	REVISED PER ECO-17-008114	05JUN2018	RS	DR



- 1 STAMP AMP 16-14HD, APPROX AS SHOWN
- 2 WIRE INSULATION DIA: 3.810-5.842[.150-.230]
- 3 BODY MATERIAL THK: 1.219±0.051[.048±.002]
- 4 BODY & SLEEVE: TIN PLATE PER ASTM B545, INSULATION: COLOR-NATURAL
- 5 BODY & SLEEVE: CU PER ASTM B152 INSULATION: PVF2
- 6 APPLIES FROM EDGE OF METAL WIRE BARREL TO CENTER OF STUD HOLE.

8.712[.343]	7.137[.281] MIN	22.276[.877] MAX	4.343±0.076[.171±.003]	M4[#8]	26.695[1.051] MAX	500	LOOSE PIECE	696430-5
"W"	"C"	"E"	"G" DIA	"S"	"L"	QTY	PACKAGE TYPE	PART NO

AMP INCORPORATED
CUSTOMER SERVICE SYSTEMS

MAX RECOMMENDED OPERATING TEMPERATURE:
150°C[302°F] MAX

THIS DRAWING IS A CONTROLLED DOCUMENT.

DWN JR RUTH 01NOV05



FOR ADDITIONAL PRODUCT INFORMATION OR COPIES OF DRAWINGS AND TECHNICAL DOCUMENTS
PRODUCT INFORMATION CENTER
1-800-522-6752

VOLTAGE RATING:
-

DIMENSIONS:
mm [INCHES]

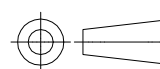
TOLERANCES UNLESS OTHERWISE SPECIFIED:

CHK T MICHIELUTTI 01NOV05

NAME
TERMINAL, RING TONGUE,
PVF2, P.I.D.G.
WIRE SIZE: 16-14 AWG HD

FOR APPLICATION TOOLING ASSISTANCE CENTER
TOOLING INFORMATION
1-800-722-1111

CIRCULAR MIL AREA:
1.04-2.62mm²[2,050-5,180] STRANDED



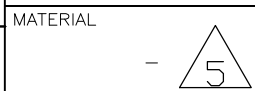
0 PLC	± -
1 PLC	± -
2 PLC	± -
3 PLC	± 0.127[.005]
4 PLC	± -
ANGLES	± -
FINISH	-

APVD T MICHIELUTTI 01NOV05

PRODUCT SPEC	-	SIZE	A3	CAGE CODE	00779	DRAWING NO	C-696430	RESTRICTED TO	-
APPLICATION SPEC	114-2157	WEIGHT	-						

FOR ORDER ENTRY
1-800-526-5142

THIS DRAWING IS A CONTROLLED DOCUMENT FOR AMP INCORPORATED. IT IS SUBJECT TO CHANGE AND THE CONTROLLING ENGINEERING ORGANIZATION SHOULD BE CONTACTED FOR THE LATEST REVISION.



CUSTOMER DRAWING SCALE 4:1 SHEET 1 OF 1 REV A1

单击下面可查看定价，库存，交付和生命周期等信息

[>>TE Connectivity\(泰科\)](#)