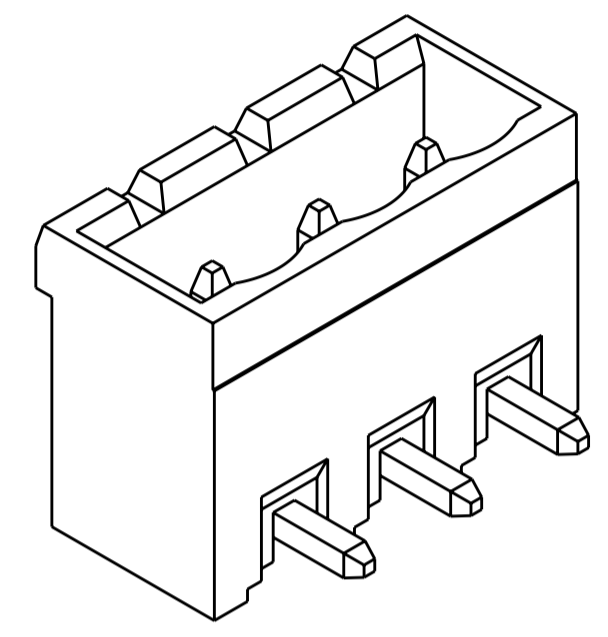
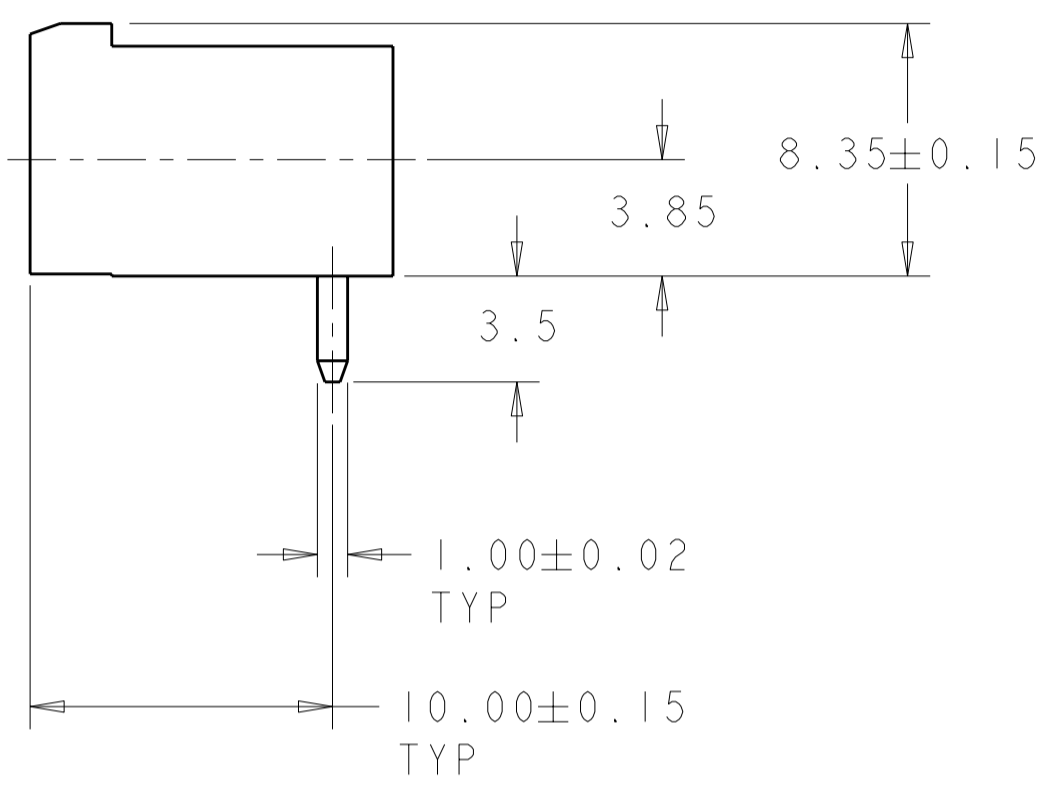
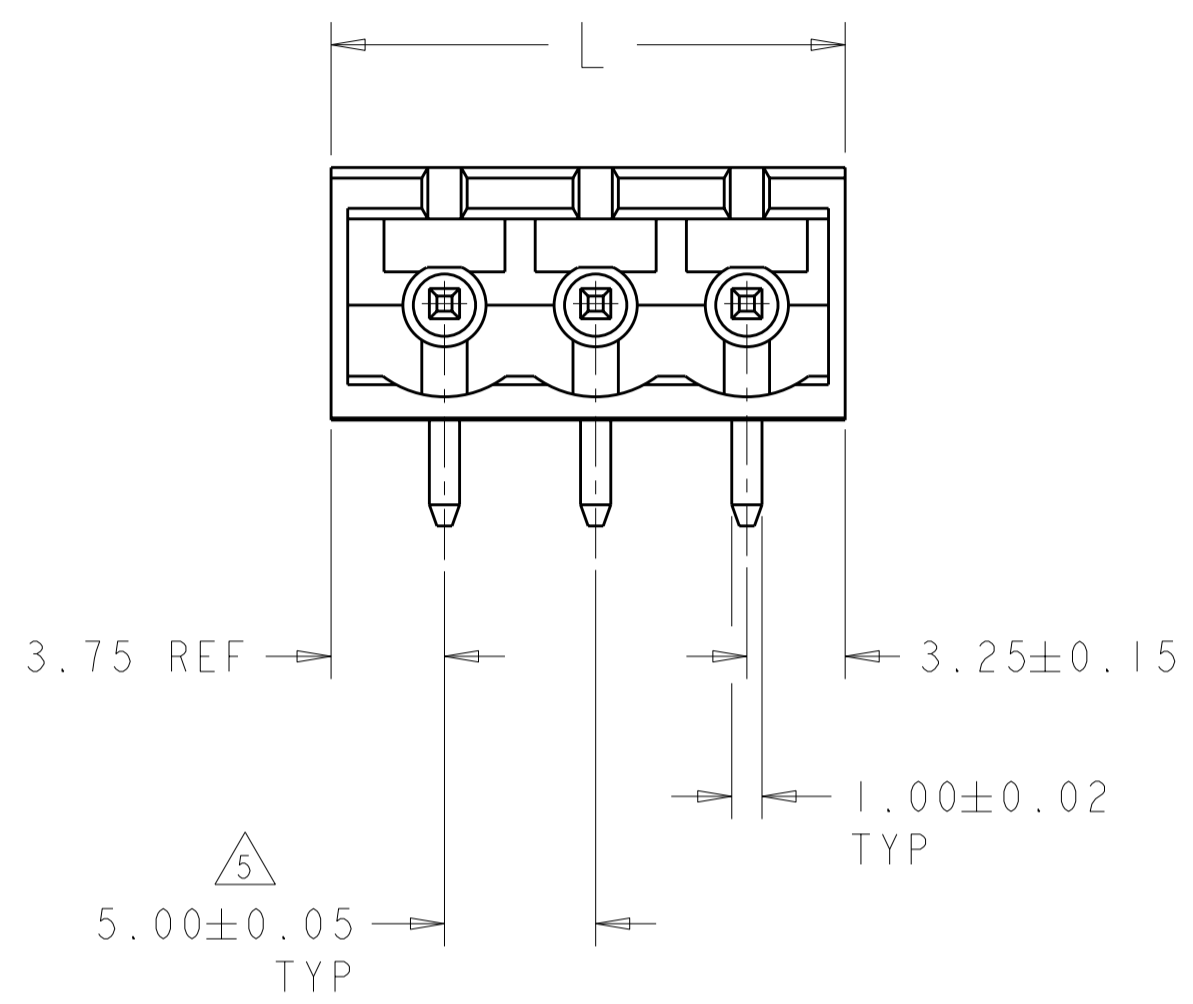
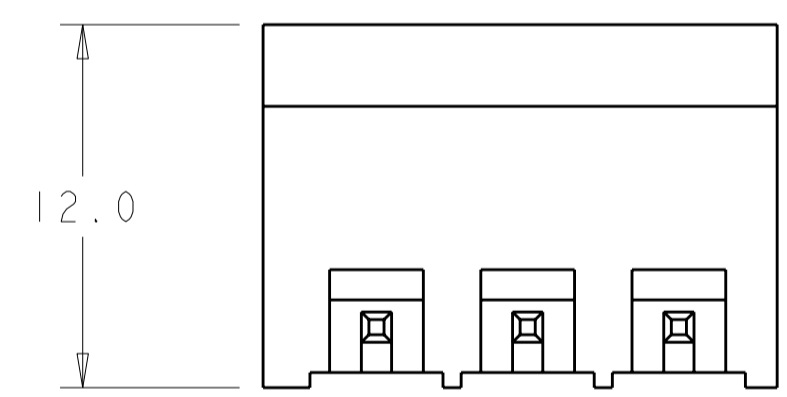


THIS DRAWING IS UNPUBLISHED. RELEASED FOR PUBLICATION 20
 © COPYRIGHT 20 Tyco Electronics AMP GmbH ALL RIGHTS RESERVED.

LOC	DIST	REVISIONS			
P	LTR	DESCRIPTION	DATE	DWN	APVD
FT	0	AI	REVISED PER ECO-12-007964	02MAY2012	KH MS

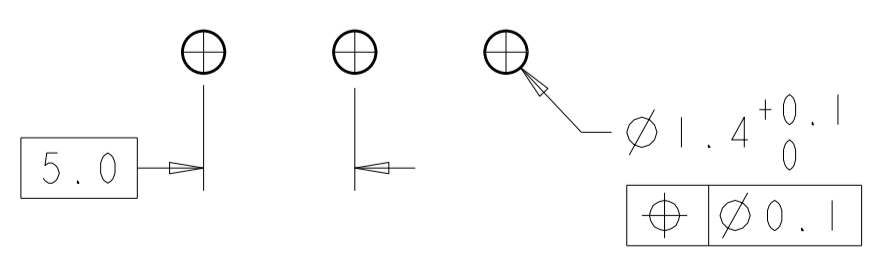


1546209-3 AS SHOWN



- 1. MATERIALS AND FINISH:
 HOUSING: PA 6-6, UL 94-V0, COLOR: GRAY.
 TERMINAL: COPPER ALLOY, TIN PLATED.
- 2. SUITABLE FOR 1,6-2, 4mm PC BOARD THICKNESS.
- 3. RECOGNIZED UNDER THE COMPONENT PROGRAM OF UNDERWRITERS LABORATORIES INC. FILE N° E60677.
- 4. IMQ CERTIFICATE WITH SURVEILLANCE IN CONFORMITY WITH IEC 998-1/998-2-1.
- 5. NOT CUMULATIVE TOLERANCE

127.0	25	2-1546209-5
122.0	24	2-1546209-4
117.0	23	2-1546209-3
112.0	22	2-1546209-2
107.0	21	2-1546209-1
102.0	20	2-1546209-0
97.5	19	1-1546209-9
92.0	18	1-1546209-8
87.0	17	1-1546209-7
82.0	16	1-1546209-6
77.0	15	1-1546209-5
72.0	14	1-1546209-4
67.0	13	1-1546209-3
62.0	12	1-1546209-2
57.0	11	1-1546209-1
52.0	10	1-1546209-0
47.0	9	1546209-9
42.0	8	1546209-8
37.0	7	1546209-7
32.0	6	1546209-6
27.0	5	1546209-5
22.0	4	1546209-4
17.0	3	1546209-3
12.0	2	1546209-2
DIM L	NO OF POSN	PART NUMBER



RECOMMENDED PC BOARD LAYOUT

THIS DRAWING IS A CONTROLLED DOCUMENT.

DIMENSIONS: mm	TOLERANCES UNLESS OTHERWISE SPECIFIED:	DWN S. WELDON 27FEB2004	TE Connectivity STE
	0 PLC ±-	CHK C. RICHARD 27FEB2004	
	1 PLC ±0.2	APVD C. RICHARD 27FEB2004	
	2 PLC ±0.25	PRODUCT SPEC	
	3 PLC ±-	APPLICATION SPEC	NAME
	4 PLC ±-	WEIGHT	TERMINAL BLOCK HEADER ASSEMBLY, 90 DEGREE, CLOSED ENDS, 5.00mm PITCH
MATERIAL	ANGLES ±-	CUSTOMER DRAWING	SIZE
	FINISH		A200779
			DRAWING NO
			C=1546209
			RESTRICTED TO
			-
			SCALE 4:1
			SHEET 1 OF 1
			REV AI

单击下面可查看定价，库存，交付和生命周期等信息

[>>TE Connectivity\(泰科\)](#)