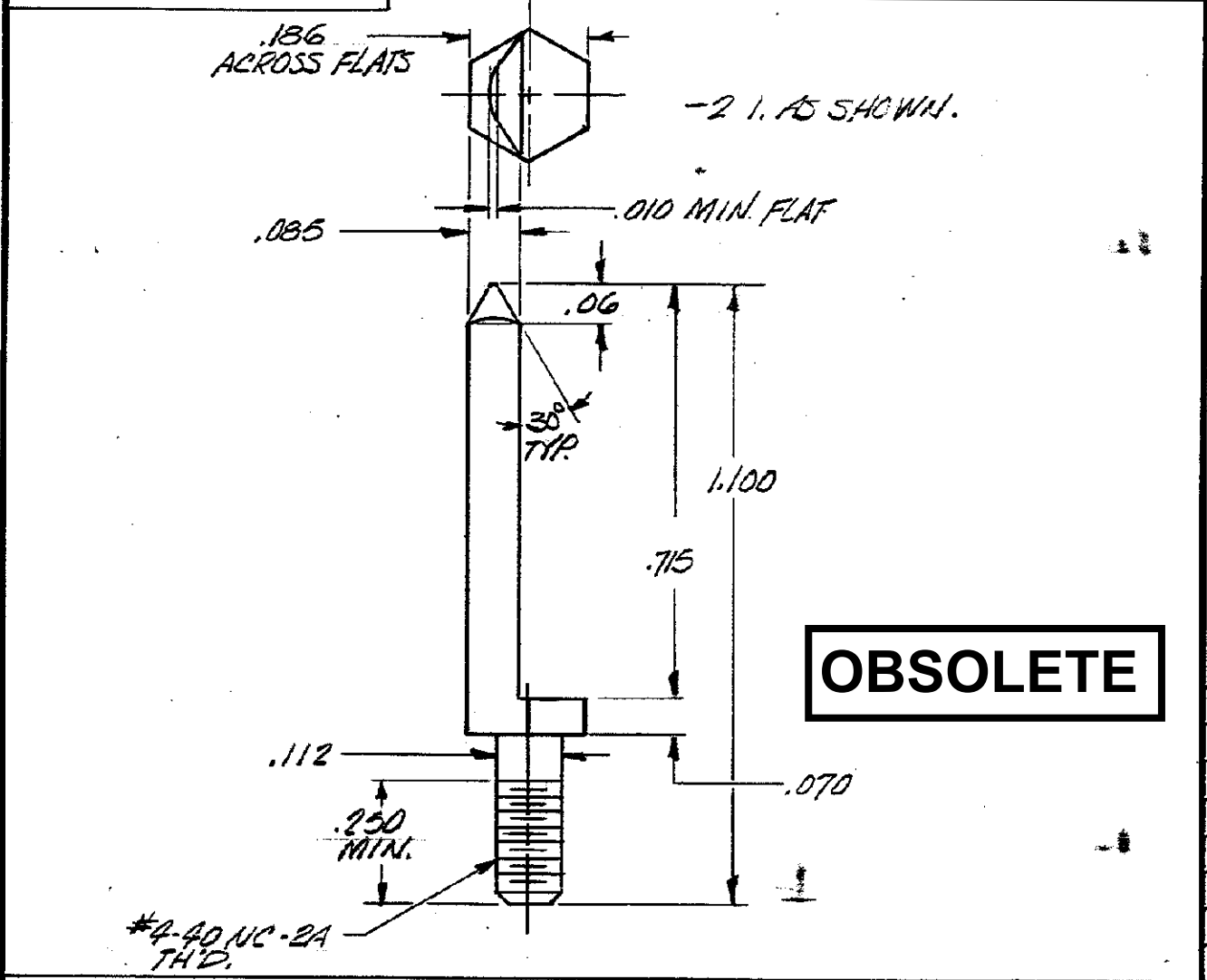



© COPYRIGHT 1978 BY AMP INCORPORATED, HARRISBURG, PA. ALL INTERNATIONAL RIGHTS RESERVED. AMP INCORPORATED PRODUCTS COVERED BY U.S. AND FOREIGN PATENTS AND /OR PATENTS PENDING.

| REVISIONS | | | | |
|-----------|-----------------------|---------|----------|-----|
| LTR | DESCRIPTION | DATE | APPROVED | P/F |
| 0 | RELEASED | 8/20/78 | JCN | 2 |
| A | REV. / ECN Z-1871 | 3-4-86 | MPH DB | 2 |
| B | REV PER ECO-12-004146 | PY | 03-12 | DE |



PART NO

| | | | |
|---|---|---|--------------------------------|
| UNLESS OTHERWISE SPECIFIED DIMENSIONS ARE IN INCHES. TOLERANCES ON: DECIMALS $\pm .005$ ANGLES $\pm 0^\circ 30'$ | CONTRACT NO |  AMP INCORPORATED Harrisburg, Pa. | NAME POLARIZING POST |
| | DR <i>Deffen</i> 8/29/78 | | |
| MATERIAL ST. STEEL PER QQ-5-763 | APPD <i>Deffen</i> 9-5-78 APPD <i>J. Wier</i> 9/5/78 | SCALE $\frac{1}{1}$ | SHEET $\frac{1}{1}$ |
| FINISH PASSIVATE | DSGN APPD OTHER APPD | | |

单击下面可查看定价，库存，交付和生命周期等信息

[>>TE Connectivity\(泰科\)](#)