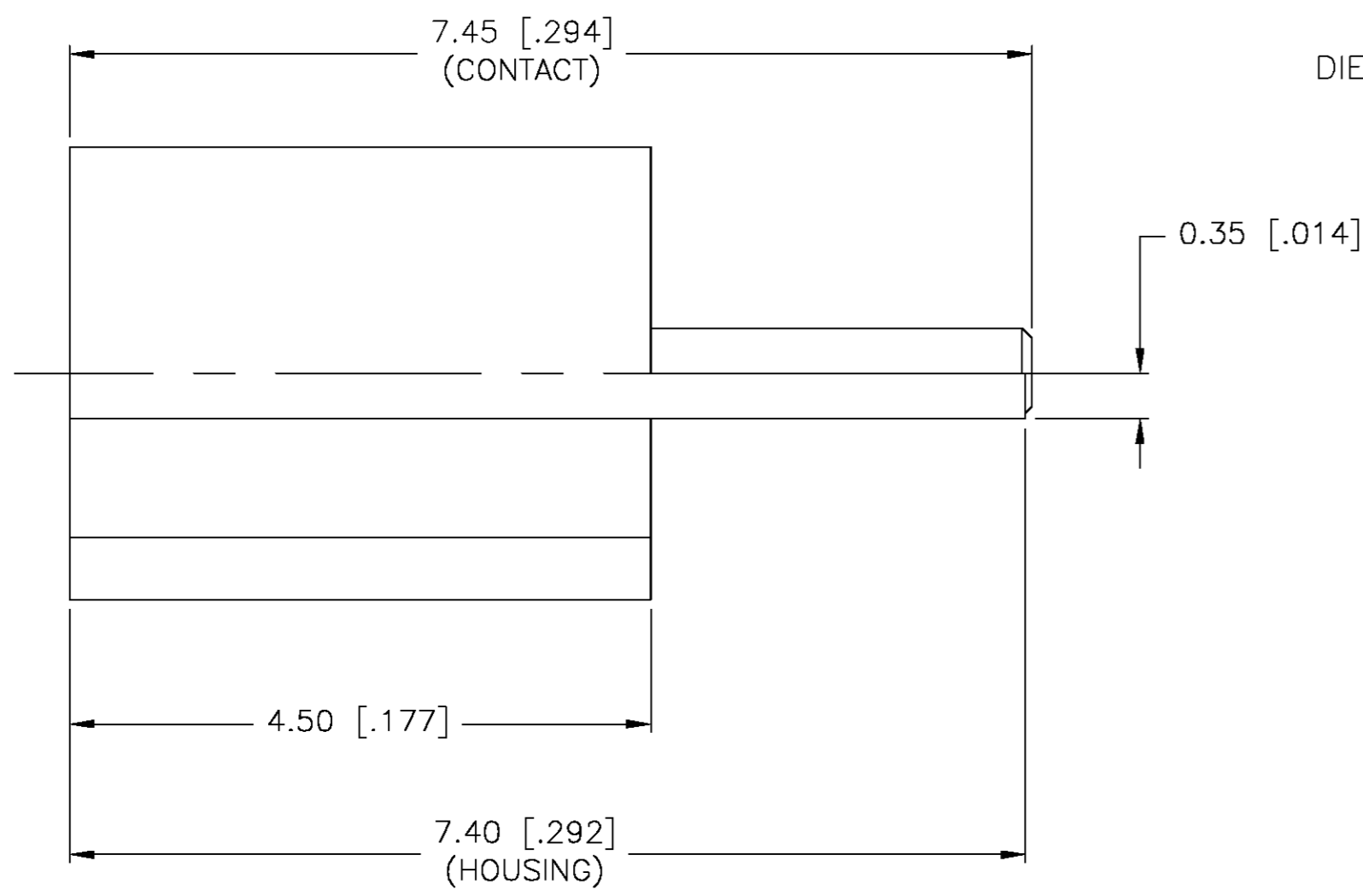


THIS DRAWING IS UNPUBLISHED. RELEASED FOR PUBLICATION
 © COPYRIGHT BY TYCO ELECTRONICS CORPORATION. ALL RIGHTS RESERVED.

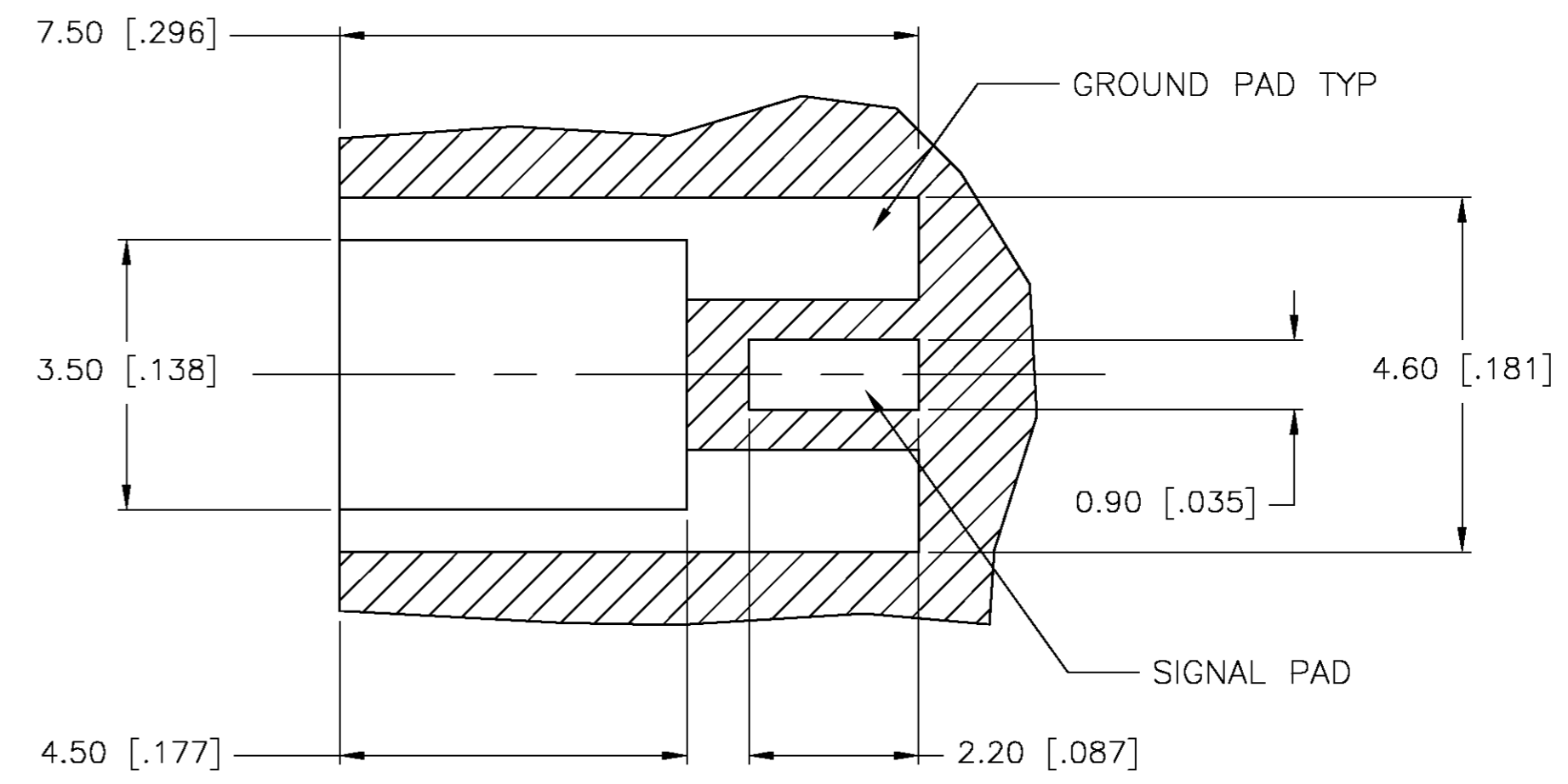
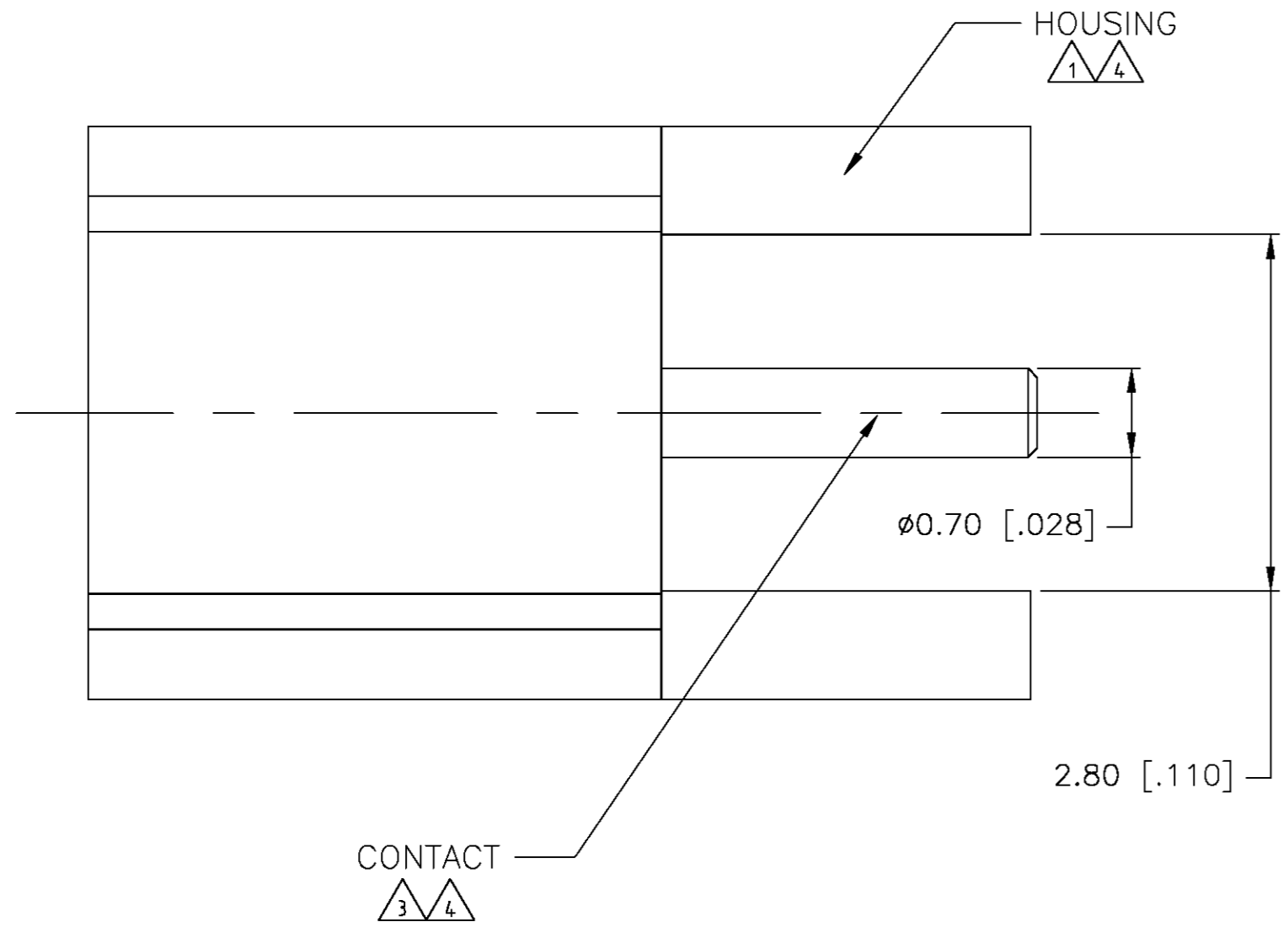
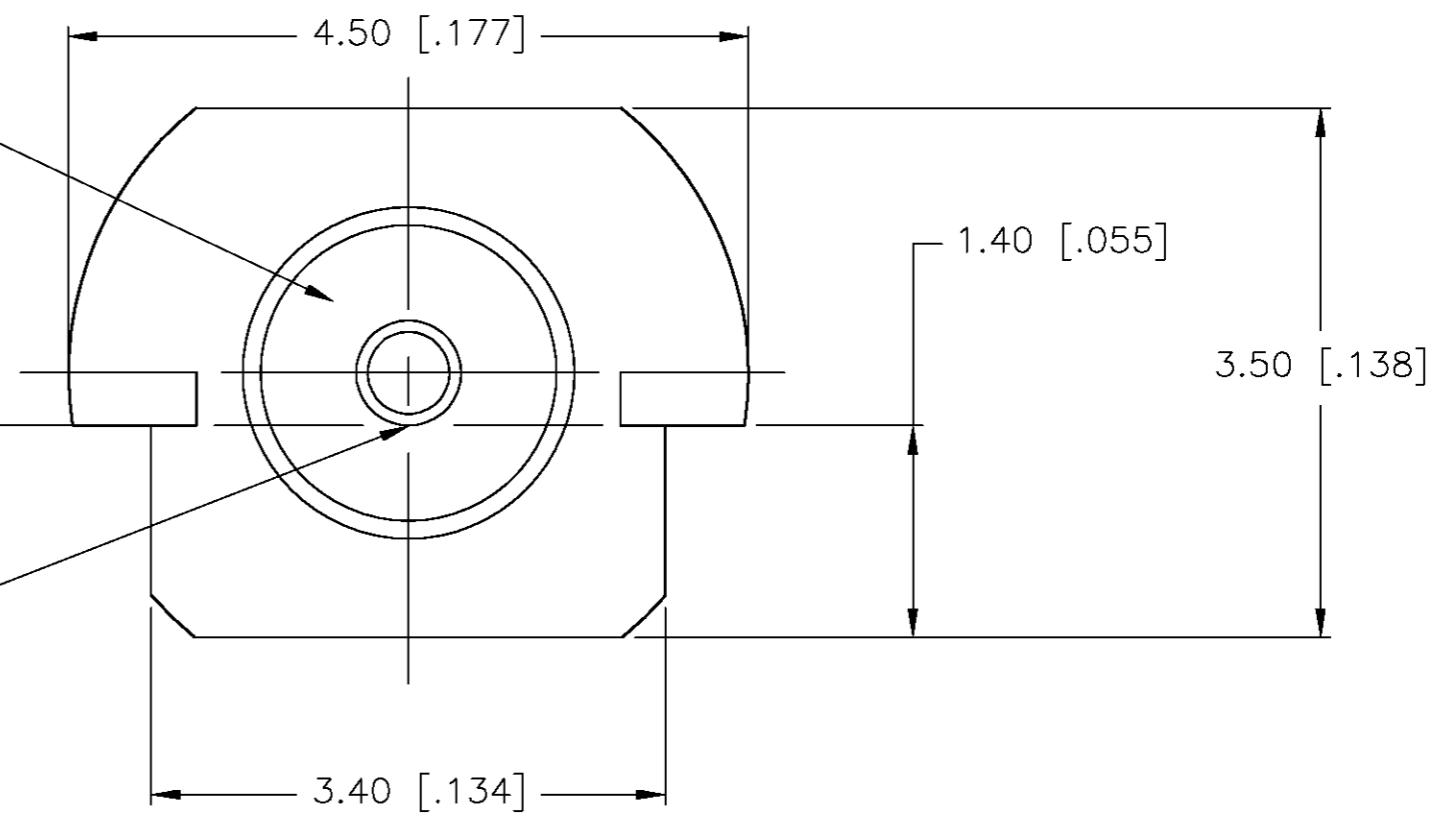
REVISONS				DATE	DWN	APVD
P	LTR	DESCRIPTION				
E		REV PER 0514-0397-03	11SEP03	KW	KW	



DIELECTRIC
 2

-A-
 2 SURFACES

0.10 A
 TANGENT POINT OF CONTACT



SOLDER PAD CONFIGURATION ONLY
 (SCALE 12:1)

ON REEL (SEE SHEET 2)	1408152-2
STANDARD	1408152-1
PACKAGING	PART NUMBER

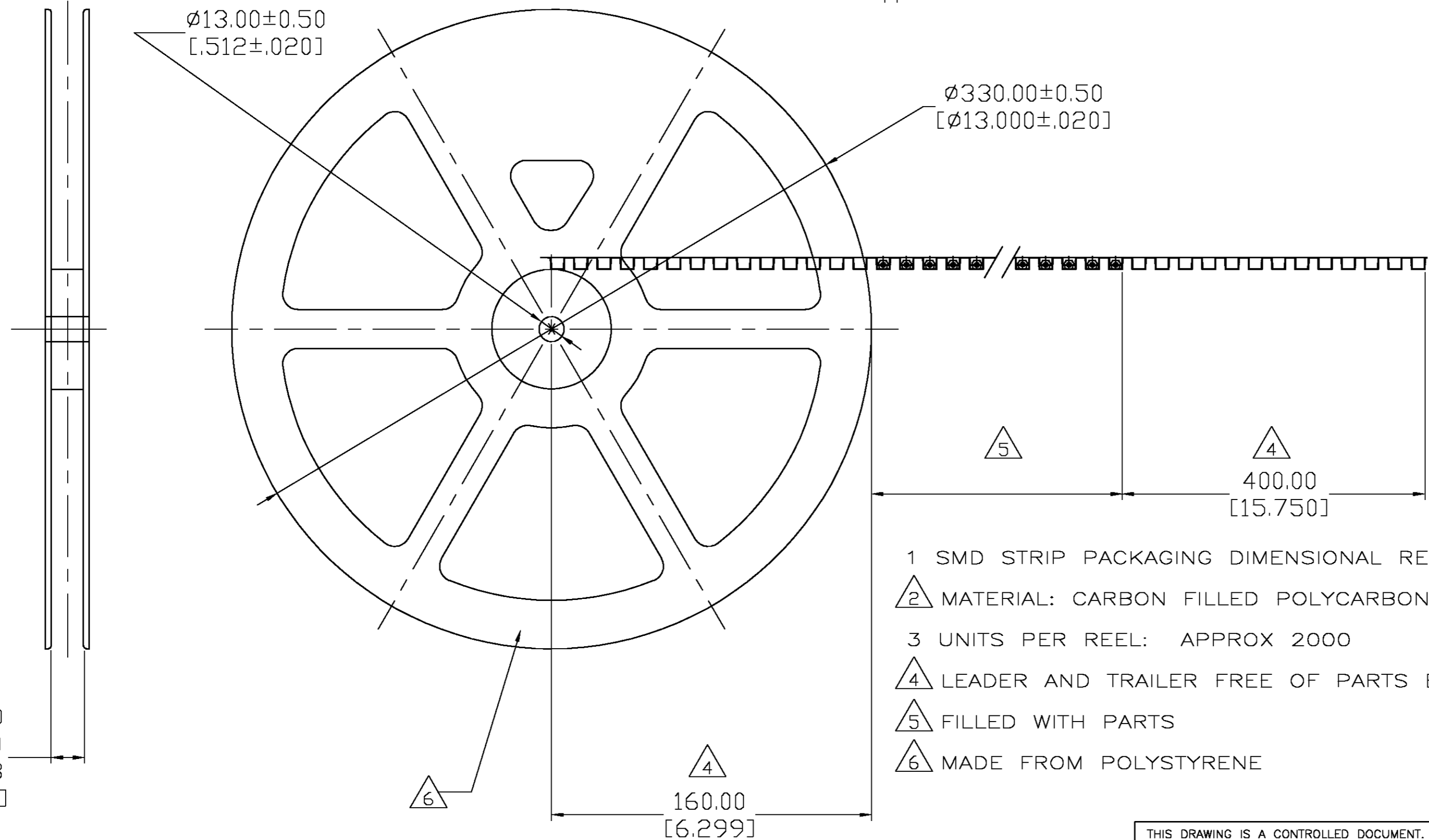
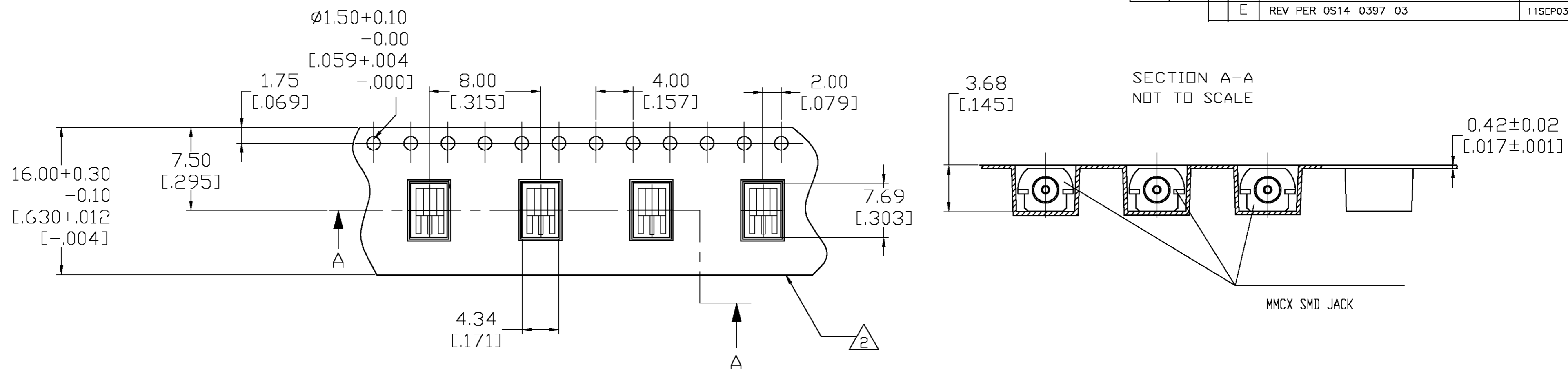
- 1 BRASS PER ASTM-B-16
- 2 PTFE PER ASTM-D-1710
- 3 BERYLLIUM COPPER PER ASTM-B-196
- 4 GOLD PLATE PER MIL-G-45204

THIS DRAWING IS A CONTROLLED DOCUMENT.		DWN RMF 29NOV2001	Tyco Electronics Corporation Middletown, PA 17057	
DIMENSIONS: MM		CHK RMF 28NOV01	NAME MMCX JACK, SMT EDGE LAUNCH	
TOLERANCES UNLESS OTHERWISE SPECIFIED:		APVD RMF 28NOV01	PRODUCT SPEC 108-2084	
0 PLC ± -		APPLICATION SPEC		
1 PLC ± -		SIZE A2		
2 PLC ± 0.15 [.006]		CAGE CODE 00779		
3 PLC ± -		DRAWING NO C=1408152		
4 PLC ± -		RESTRICTED TO		
ANGLES ± 1°		SCALE 20:1		
FINISH		SHEET 1 OF 2		
MATERIAL		REV E		
		CUSTOMER DRAWING		

1408152

THIS DRAWING IS UNPUBLISHED. RELEASED FOR PUBLICATION
 © COPYRIGHT BY TYCO ELECTRONICS CORPORATION. ALL RIGHTS RESERVED.

LOC		DIST		REVISIONS			
P	LTR	DESCRIPTION	DATE	DWN	APVD		
AJ	-						
E		REV PER 0514-0397-03	11SEP03	KW	KW		



24.00±0.20
 -0.00
 [.945±.008
 -.000]

- 1 SMD STRIP PACKAGING DIMENSIONAL REQUIREMENTS PER EIA 481-1, -2 AND -3
- 2 MATERIAL: CARBON FILLED POLYCARBONATE, ELECTROSTATIC PROTECTIVE
- 3 UNITS PER REEL: APPROX 2000
- 4 LEADER AND TRAILER FREE OF PARTS BUT SEALED WITH COVER TAPE
- 5 FILLED WITH PARTS
- 6 MADE FROM POLYSTYRENE

THIS DRAWING IS A CONTROLLED DOCUMENT.		DWN	24JUL02	 Tyco Electronics Corporation Middletown, PA 17057							
DIMENSIONS: MM		CHK	24JUL02								
TOLERANCES UNLESS OTHERWISE SPECIFIED:		APVD	24JUL02								
0 PLC ± - 1 PLC ± - 2 PLC ± 0.10 [.004] 3 PLC ± - 4 PLC ± - ANGLES ± 5° FINISH -		NAME	MMCX JACK, SMT EDGE LAUNCH								
MATERIAL	-	PRODUCT SPEC	-	SIZE	A2	CAGE CODE	00779	DRAWING NO	C=1408152	RESTRICTED TO	-
CUSTOMER DRAWING		WEIGHT	-	SCALE	NTS	SHEET	2	OF	2	REV	E

1408152

单击下面可查看定价，库存，交付和生命周期等信息

[>>TE Connectivity\(泰科\)](#)