

4

3

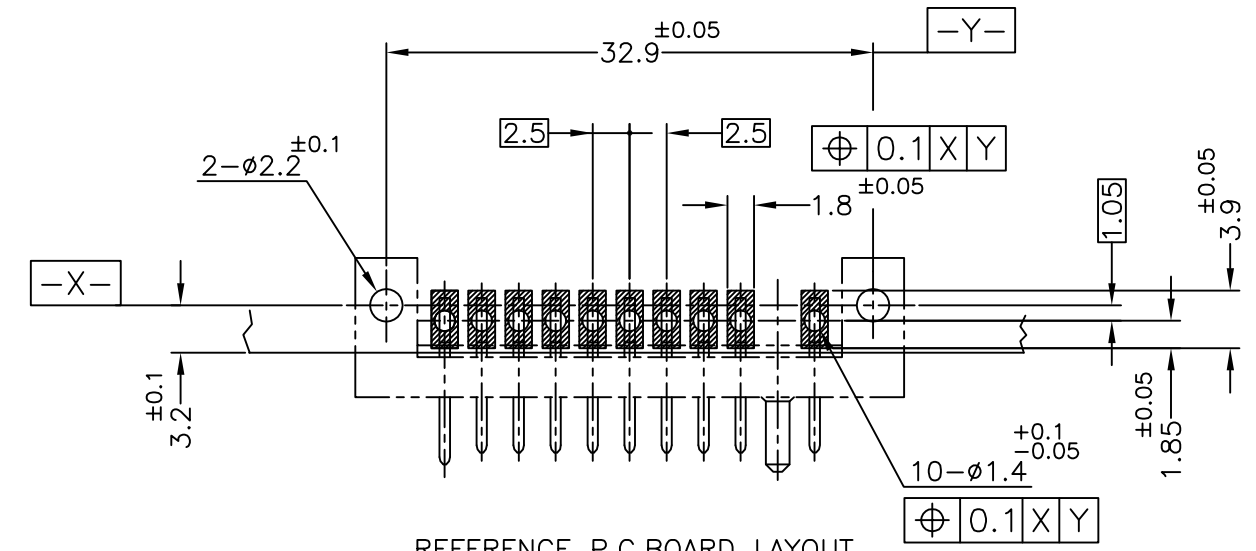
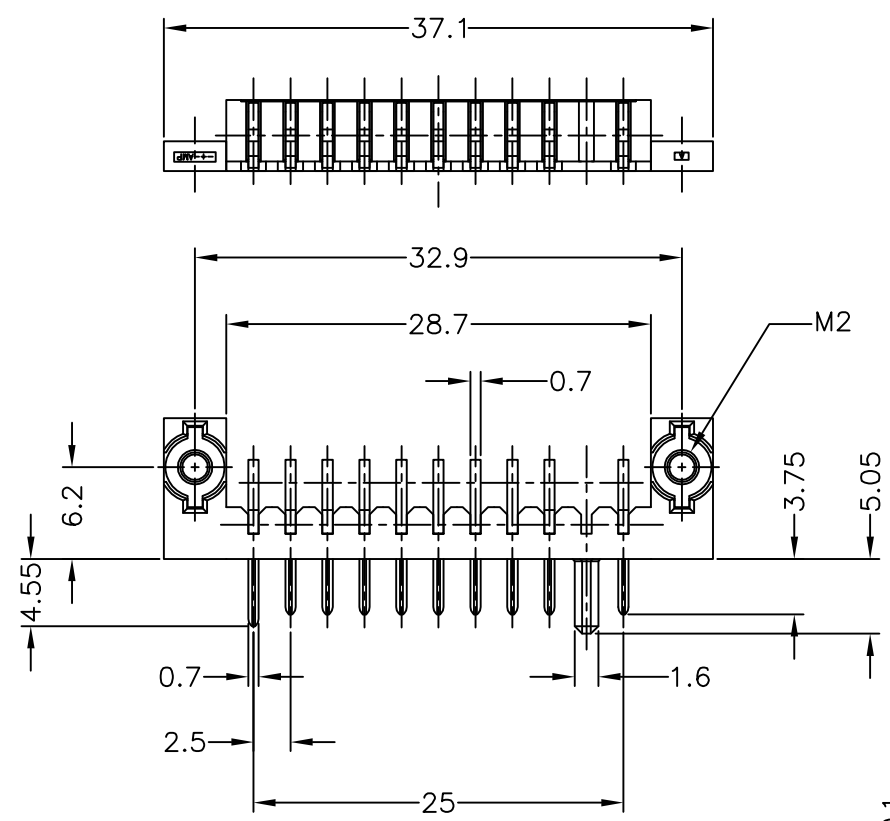
2

1

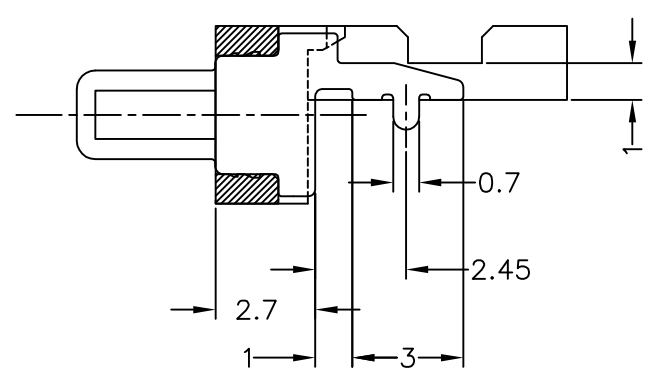
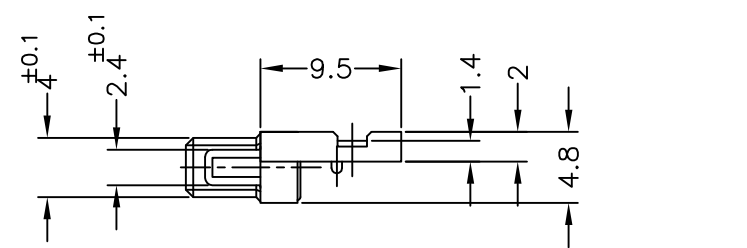
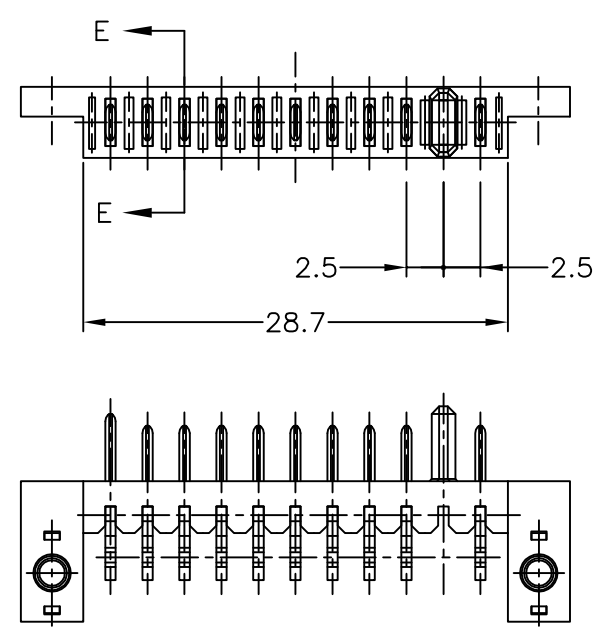
THIS DRAWING IS UNPUBLISHED. RELEASED FOR PUBLICATION JUL ,2004.  
 © COPYRIGHT 2004 BY TYCO ELECTRONICS CORPORATION. ALL RIGHTS RESERVED.

LOC	DIST	REVISIONS			
P	LTR	DESCRIPTION	DATE	DWN	APVD
ES		A	REVISED PER ECR-10-011717	30MAY2010	S.W S.Y

-7 : AS SHOWN



REFERENCE P.C.BOARD LAYOUT  
 P.C.BOARD THK 0.8~1.2  
 (VIEW FROM CONNECTOR MOUNTING SIDE)



E-E SCALE 5:1

- 1 MATERIAL
  - HOUSING: 6T NYLON, UL94V-O, BLACK
  - CONTACT: COPPER ALLOY
  - NUT : STAINLESS STEEL
- 2 FINISH
  - CONTACT: Ni ALL OVER UNDER PL. 2μm MIN. GOLD PL. 0.3μm MIN. AT CONTACT AREA TIN PL. AT LEAD AREA 2μm MIN.

THIS DRAWING IS A CONTROLLED DOCUMENT.		DWN	T.KATANO	14OCT04	Tyco Electronics Shanghai, P.R.China, 200233							
DIMENSIONS: MM		CHK	T.KIMURA	14OCT04								
TOLERANCES UNLESS OTHERWISE SPECIFIED:		APVD	K.IKEGAMI	14OCT04								
0-PLC ± 0.15 1-PLC ± 2-PLC ± 3-PLC ± 4-PLC ± ANGLES ± 3' FINISH		PRODUCT SPEC	108-5775			NAME	PLUG ASSEMBLY 2.5mm PITCH BATTERY CONNECTOR (10POS. OFF SET TYPE)					
MATERIAL	1	CUSTOMER DRAWING		WEIGHT	SIZE	A3	CAGE CODE	00779	DRAWING NO	6123738	RESTRICTED TO	
				SCALE	2:1		SHEET	1 OF 1		REV	A	

单击下面可查看定价，库存，交付和生命周期等信息

[>>TE Connectivity\(泰科\)](#)