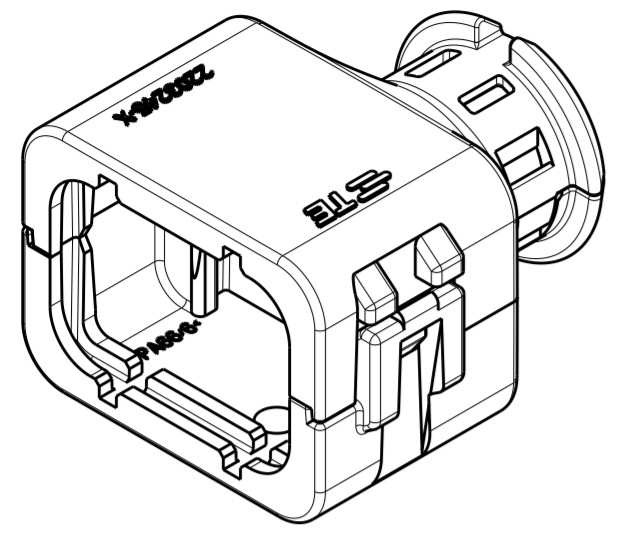
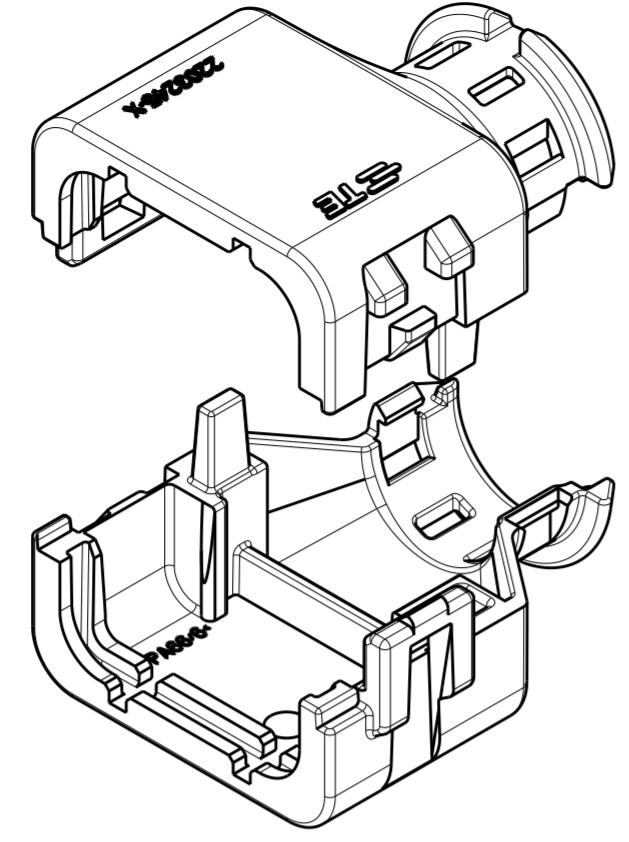


THIS DRAWING IS UNPUBLISHED. RELEASED FOR PUBLICATION 20
 © COPYRIGHT 20 BY - ALL RIGHTS RESERVED.

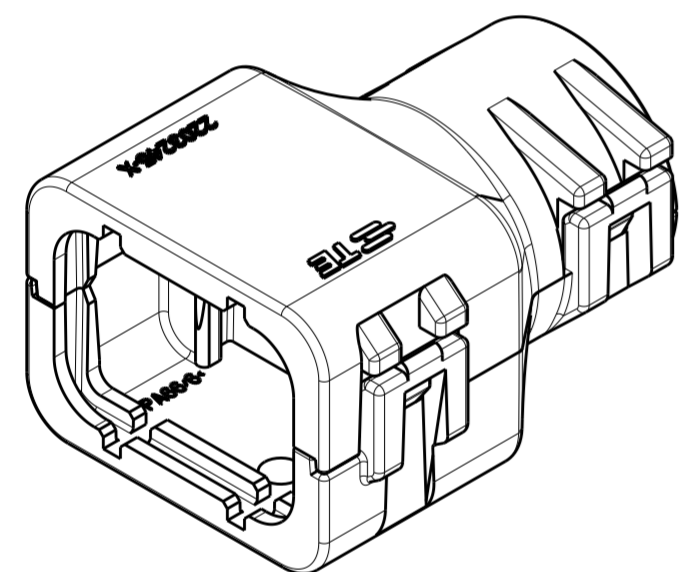
REVISIONS					
P	LTR	DESCRIPTION	DATE	DWN	APVD
A		RELEASED PER ECO-15-010501	17JUL2015	JM	RB
A1		REV PER ECO-16-008350	02JUN2016	JM	RB
A2		REV PER ECO-16-013256	08SEP2016	JM	RB



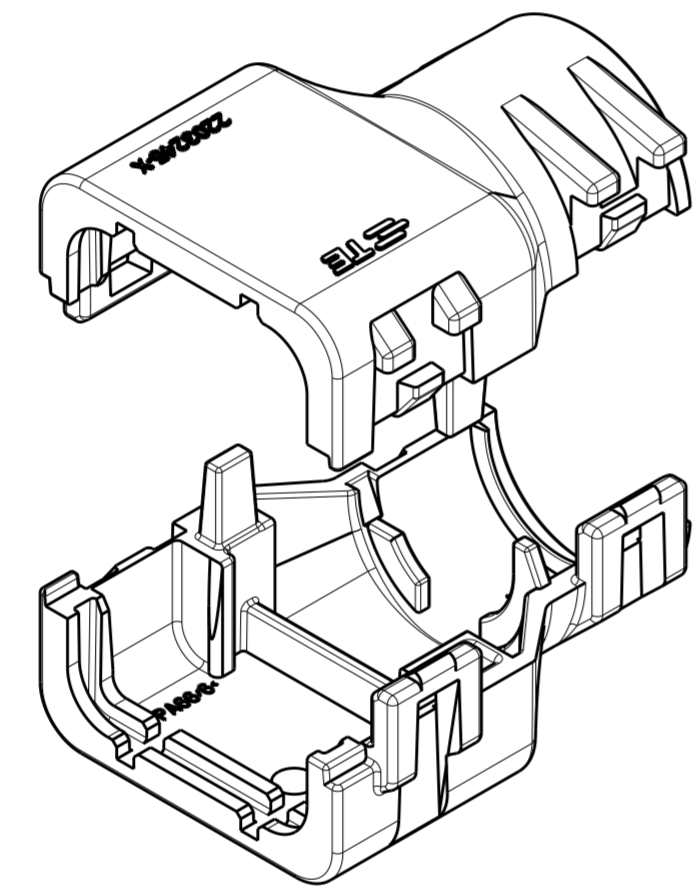
2292862-1
ASSEMBLED ISOMETRIC VIEW SHOWN



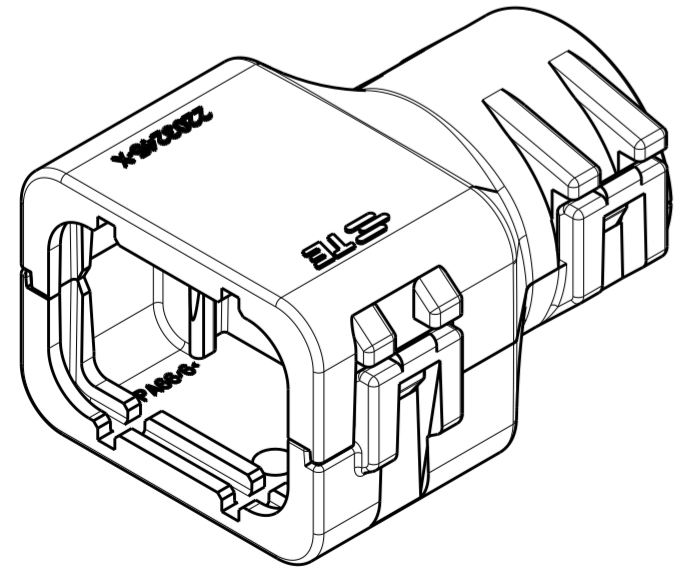
2292862-1
EXPLODED ISOMETRIC VIEW SHOWN



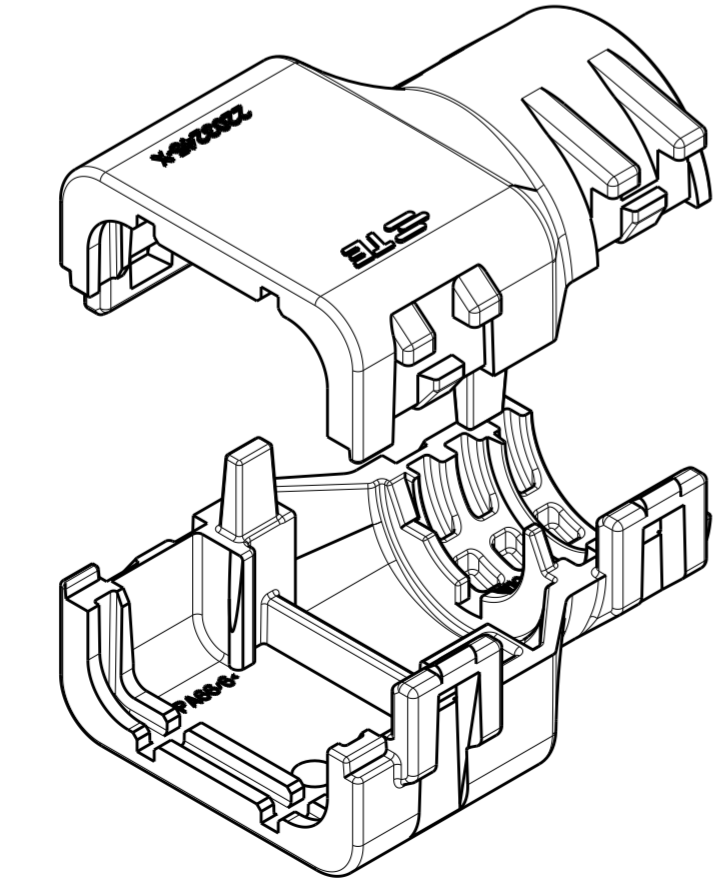
2292862-2
ASSEMBLED ISOMETRIC VIEW SHOWN



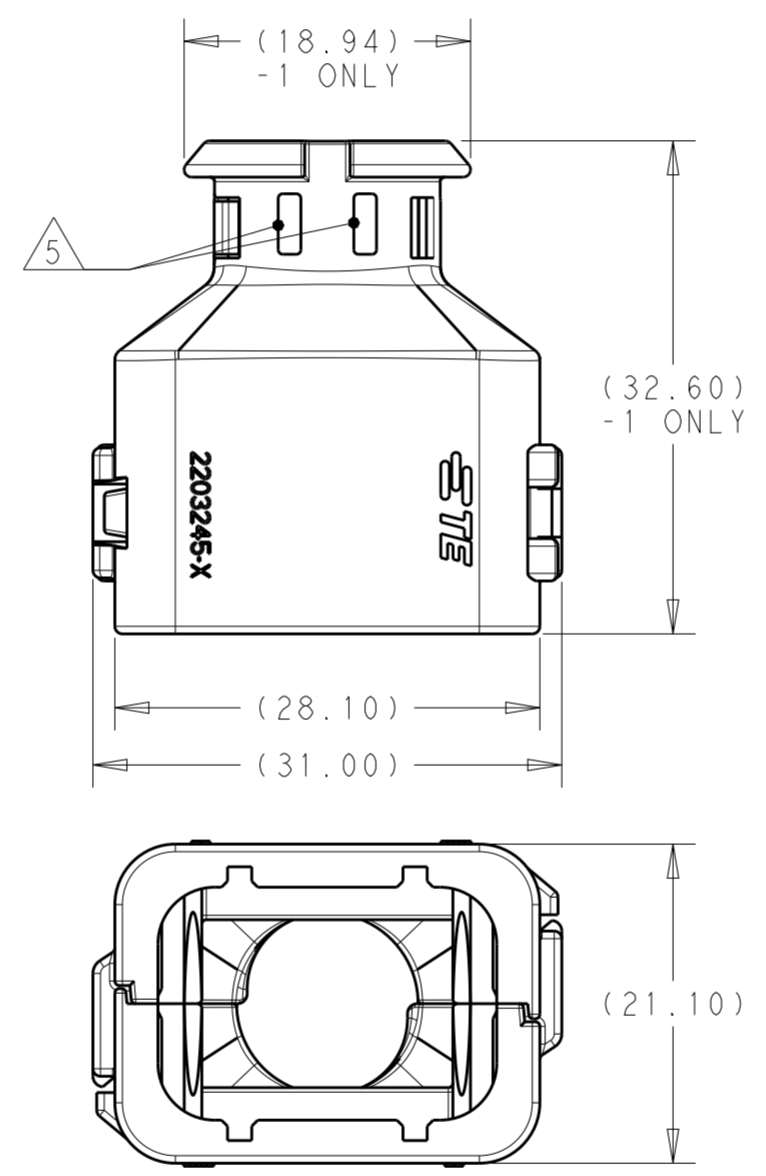
2292862-2
EXPLODED ISOMETRIC VIEW SHOWN



2292862-3
ASSEMBLED ISOMETRIC VIEW SHOWN

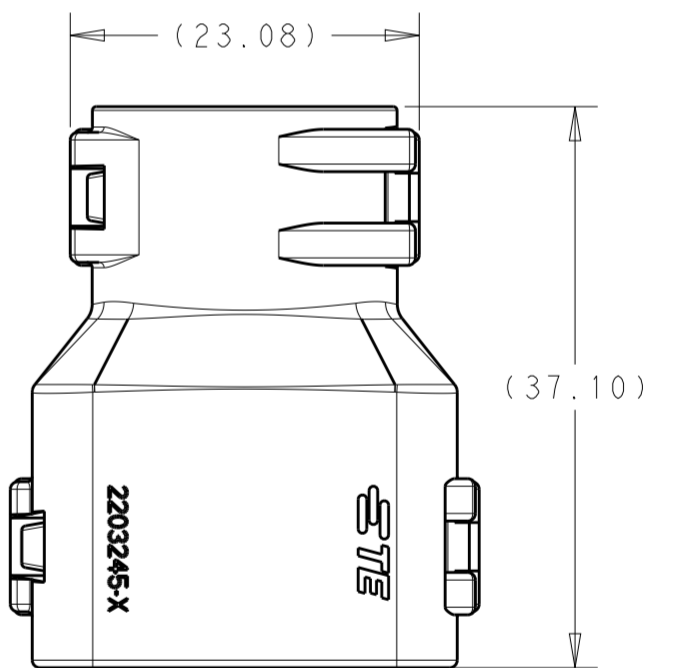
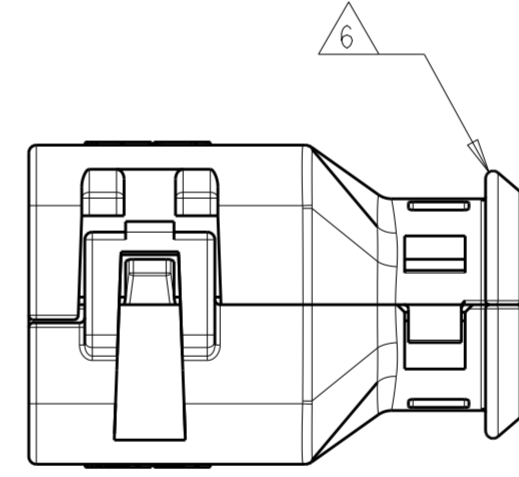


2292862-3
EXPLODED ISOMETRIC VIEW SHOWN



2292862-1
ASSEMBLED VIEW SHOWN

DIMENSIONS SHOWN TYPICAL FOR ALL PART NUMBERS ³ EXCEPT AS NOTED



2292862-2
ASSEMBLED VIEW SHOWN

DIMENSIONS SHOWN TYPICAL FOR -2 AND -3 ONLY ³

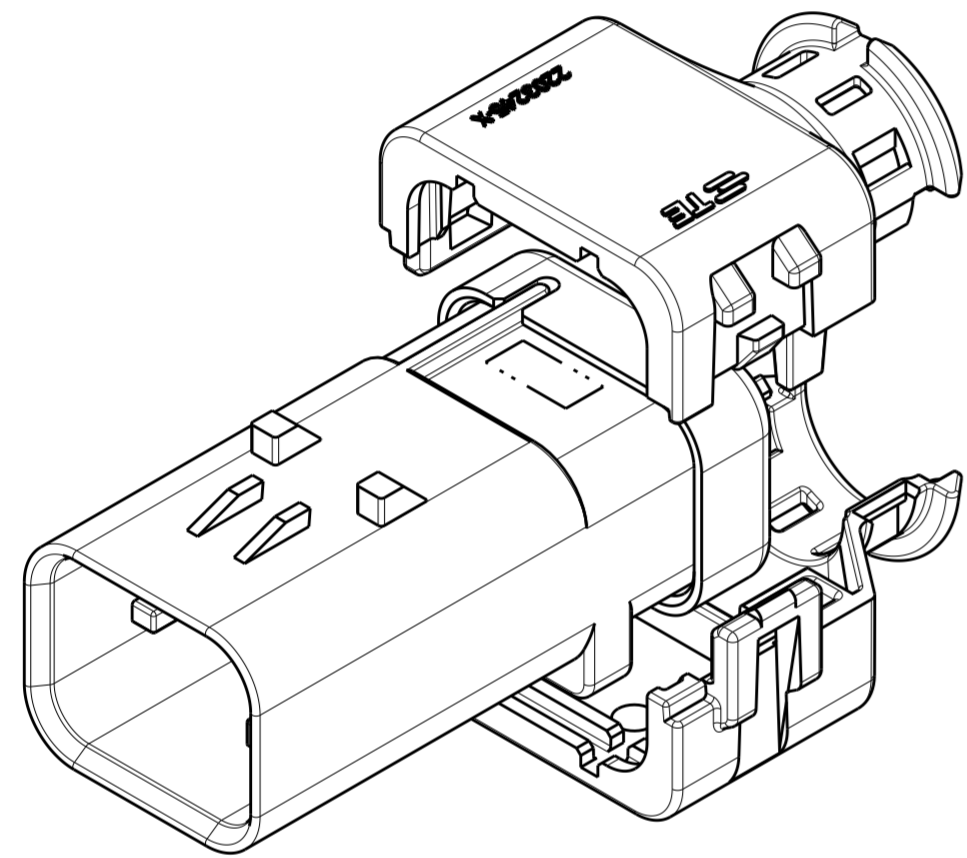
- ¹ MATERIAL: NYLON MOLDING COMPOUND, BLACK, PA66/6.
- ² BACKSHELL DESIGNED SUCH THAT TWO HALVES ATTACH TO ONE ANOTHER AND CLAMP AROUND THE CONNECTOR COVER.
- ³ DIMENSIONS TO BE MEASURED WHEN BACKSHELLS ASSEMBLED.
- ⁴ PRODUCT WEIGHTS:
 2292862-1: 5.08g ASSEMBLED
 2292862-2: 6.42g ASSEMBLED
 2292862-3: 7.02g ASSEMBLED
- ⁵ 4mm WIDE SLOTS FOR TIE WRAP TO SECURE HARNESS WIRES (-1 ONLY).
- ⁶ HEAT SHRINK TUBING RETENTION FEATURE (-1 ONLY).
- 7. INSTRUCTION SHEET: 408-151043.
- 8. CONDUIT PROFILE: NORMAL ONLY.

776488-X	NC12	NW10	2292862-3
776536-X	NC16	NW13	2292862-2
	SMOOTH	SMOOTH	2292862-1
FITS ON CAP ASSY	CORREGATE NC	CORREGATE NW	PART NUMBER
	CONDUIT SIZE		

THIS DRAWING IS A CONTROLLED DOCUMENT.		DWN J MCNEAL 05JUN2015	TE Connectivity	
DIMENSIONS: mm [INCHES]		CHK R BALTER 05JUN2015		
TOLERANCES UNLESS OTHERWISE SPECIFIED:		APVD R BALTER 05JUN2015	NAME BACKSHELL KIT, 4 POSITION, CAP ASSY AMPSEAL 16	
0 PLC ±	1 PLC ±	PRODUCT SPEC 108-151043	SIZE A2	CAGE CODE 00779
2 PLC ±	3 PLC ±	APPLICATION SPEC	DRAWING NO C-2292862	RESTRICTED TO
4 PLC ±	ANGLES ±	WEIGHT ⁴	SCALE 2:1	SHEET 1 OF 2
FINISH -	FINISH -	CUSTOMER DRAWING		REV A2

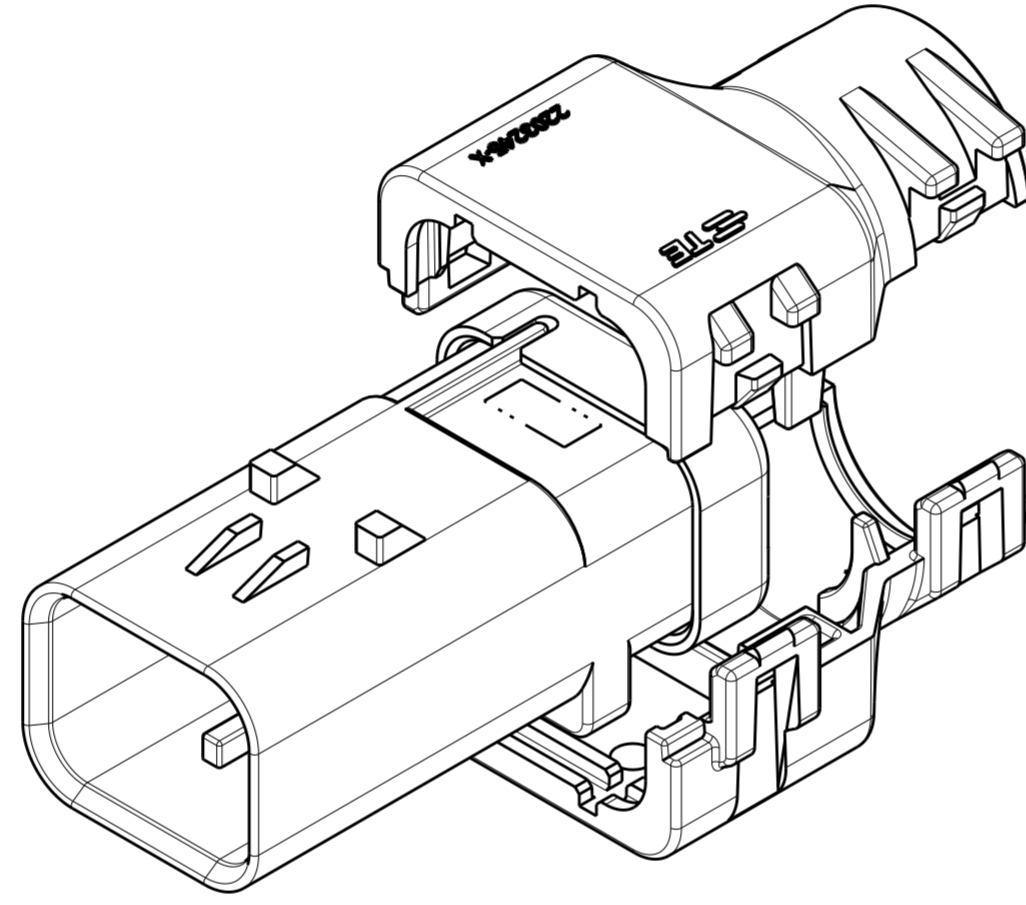
THIS DRAWING IS UNPUBLISHED. RELEASED FOR PUBLICATION 20
 © COPYRIGHT 20 BY - ALL RIGHTS RESERVED.

REVISIONS				
P	LTR	DESCRIPTION	DATE	APVD
-		SEE SHEET 1	-	-



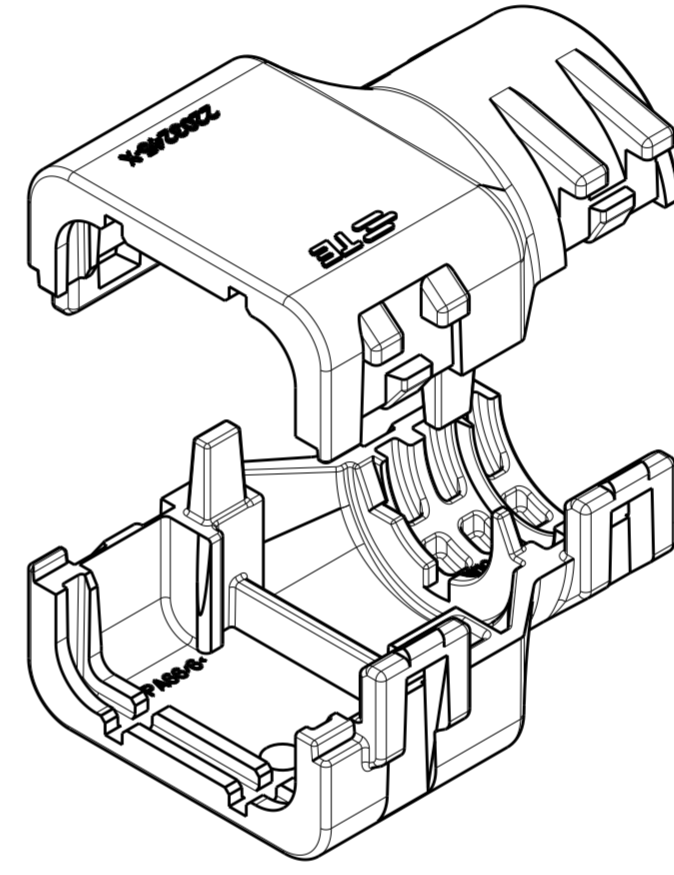
2292862-1

WITH CAP ASSEMBLY ²
 EXPLODED ISOMETRIC VIEW SHOWN




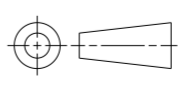
2292862-2

WITH CAP ASSEMBLY ²
 EXPLODED ISOMETRIC VIEW SHOWN



2292862-3

WITH CAP ASSEMBLY ²
 EXPLODED ISOMETRIC VIEW SHOWN

THIS DRAWING IS A CONTROLLED DOCUMENT.		DWN J. MCNEAL 05JUN2015	 TE Connectivity	
DIMENSIONS: mm [INCHES]		CHK R. BALTER 05JUN2015		
TOLERANCES UNLESS OTHERWISE SPECIFIED:		APVD R. BALTER 05JUN2015	NAME BACKSHELL KIT, 4 POSITION, CAP ASSY AMPSEAL 16	
		PRODUCT SPEC 108-151043	RESTRICTED TO	
MATERIAL		APPLICATION SPEC	SIZE A2	CAGE CODE 00779
FINISH		WEIGHT	DRAWING NO C-2292862	SCALE 2:1
		CUSTOMER DRAWING	SHEET 2	OF 2
			REV A2	

单击下面可查看定价，库存，交付和生命周期等信息

[>>TE Connectivity\(泰科\)](#)