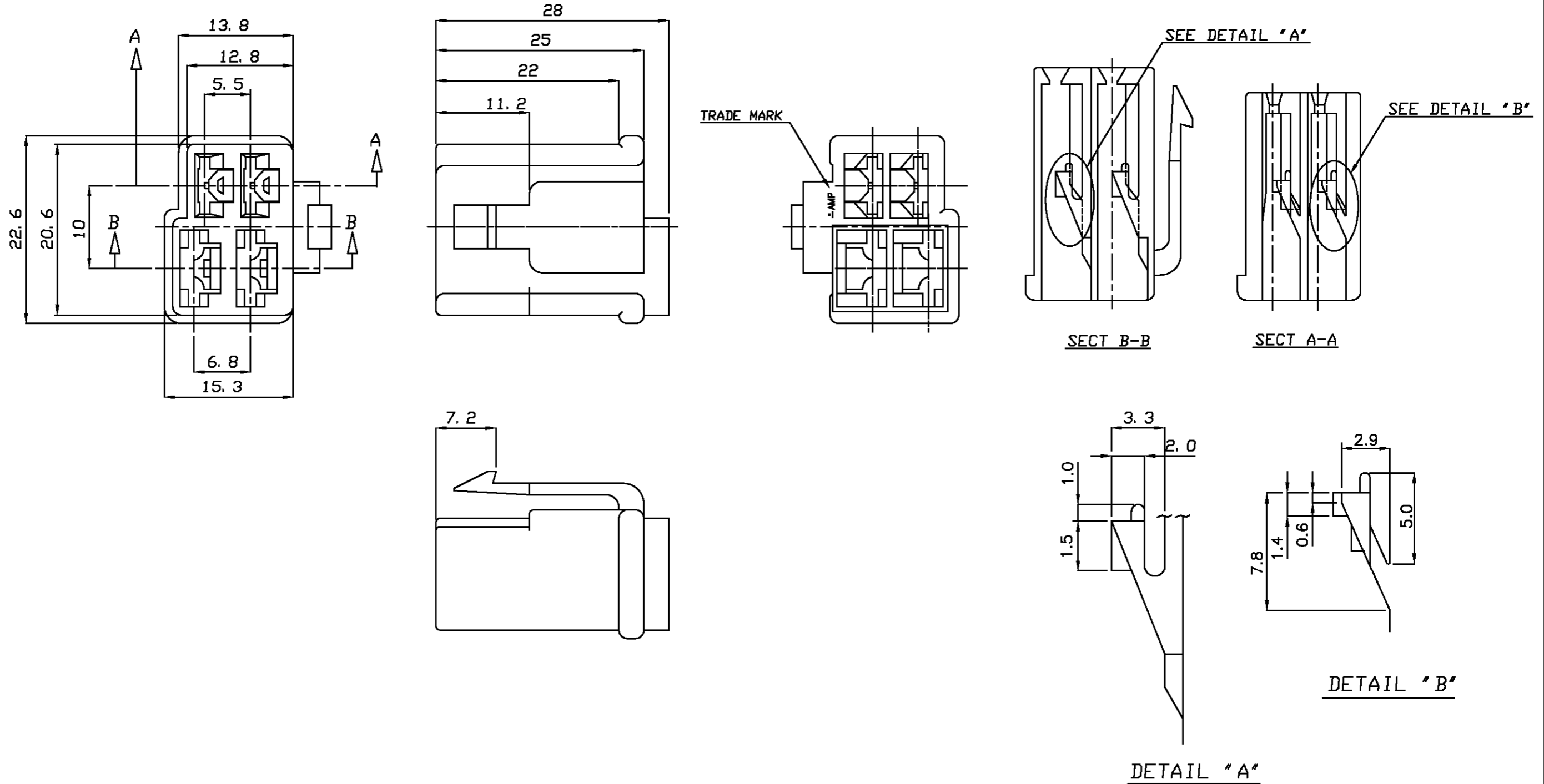


CUSTOMER DRAWING



NATURAL	702902-1	85094-1
COLOR	MATERIAL	PART NO.

© 1997 AMP KOREA ALL RIGHT RESERVED AMP PRODUCTS COVERED BY PATENTS AND DR PATENTS PENDING					AMP AMP KOREA				
WIRE RANGE ---			INSULATION DIA ---		NAME 250/312 HYBRID 4P PLUG HSG				
MATERIAL SEE TABLE			FINISH/COLOR SEE TABLE		TOLERANCES 0<XX<10 ±0.2 10<XX<30 ±0.25 30<XX<100±0.3 ANGLES ±3°		SIZE A3	LOC DS	NUMBER 85094
DR	APP	REL	SCALE 1/1	REV	□	SHEET 1/1			
□	RELEASED ECN(RD97-023)	JW	JK	'97 01/24					
LTR	REVISION RECORD	DR	CHK	DATE					

PRINT DIST.

单击下面可查看定价，库存，交付和生命周期等信息

[>>TE Connectivity\(泰科\)](#)