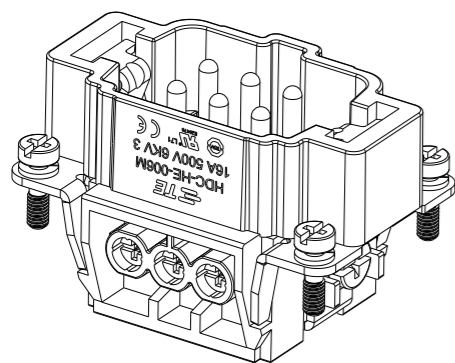
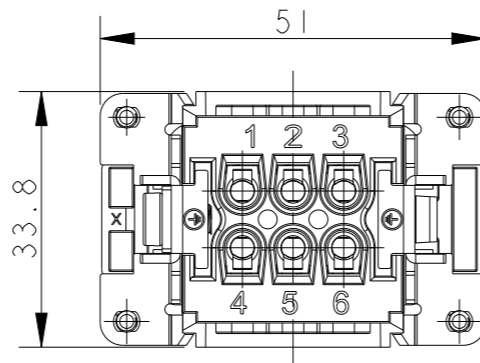


REVISIONS

P	LTR	DESCRIPTION	DATE	DWN	APVD
B1		ECR-16-011988	24AUG2016	YC	CW
C		ECR-18-016778	12NOV2018	GY	CW
C1		ECR-18-017123	21DEC2018	KW	CW
D		ECR-21-106515	02JUL2021	SQ	CW



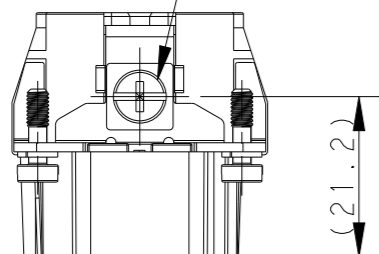
TYPE I, T2040062101-000, WITH LOGO
 类型 I, T2040062101-000, 带LOGO



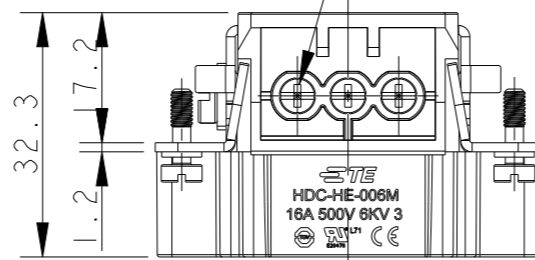
NOTES:

1. TECHNICAL CHARACTERISTICS:
 INSULATION MATERIAL: PC
 RATED VOLTAGE: 500V
 RATED CURRENT: 16A
 INSULATION RESISTANCE: $\geq 400M\Omega$
 RATED IMPULSE VOLTAGE: 6KV
 POLLUTION DEGREE: 3
 FLAMMABILITY: UL94V-0
 MATING CYCLES: 500 CYCLES
 WIRE RANGE: $0.5mm^2 \sim 2.5mm^2$ (AWG20-AWG14)
 CONTACT TYPE: SCREW CLAMP (M3)

M4 SCREW, RECOMMENDED
 TIGHTENING TORQUE 1.2Nm
 M4螺丝, 推荐锁紧力矩1.2Nm

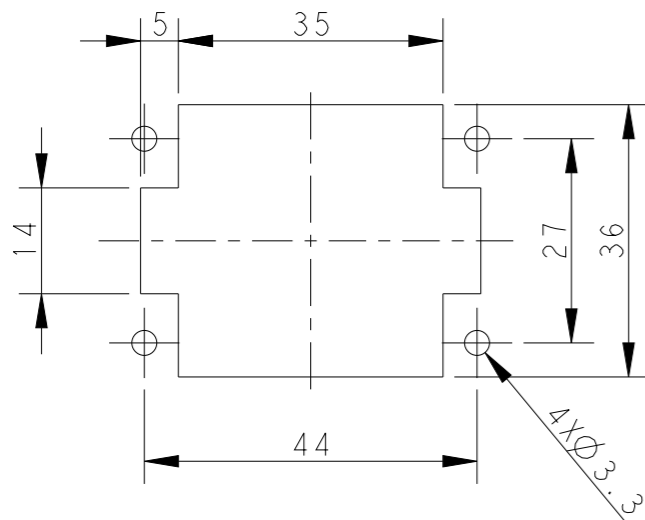


6X M3 SCREW, RECOMMENDED
 TIGHTENING TORQUE 0.5Nm
 6X M3螺丝, 推荐锁紧力矩0.5Nm



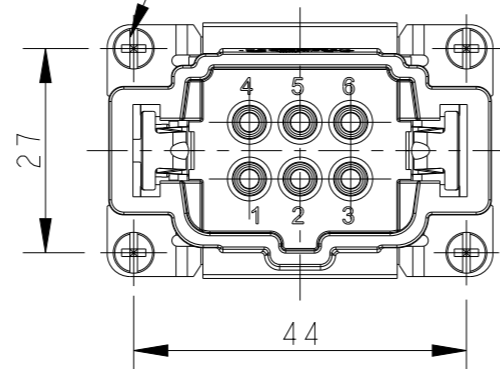
注释:

1. 技术参数:
 绝缘材料: PC
 额定电压: 500V
 额定电流: 16A
 绝缘电阻: $\geq 400M\Omega$
 脉冲电压: 6KV
 污染等级: 3
 阻燃等级: UL94V-0
 插拔次数: 500次
 接线范围: $0.5mm^2 \sim 2.5mm^2$ (AWG20-AWG14)
 接线类型: 螺丝压接 (M3)



PANEL CUT FOR INSERTS FOR USE
 WITHOUT HOODS/ HOUSINGS
 不使用防护外壳时芯件的安装开孔图

4X M3 SCREW, RECOMMENDED
 TIGHTENING TORQUE 0.5Nm
 4X M3螺丝, 推荐锁紧力矩0.5Nm



THIS DRAWING IS A CONTROLLED DOCUMENT.

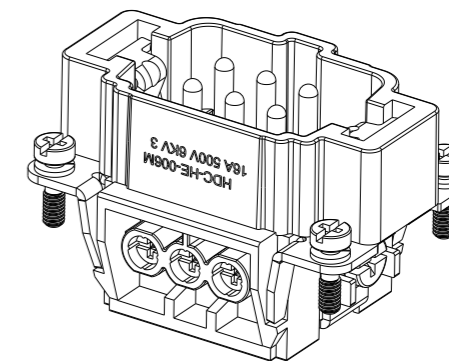
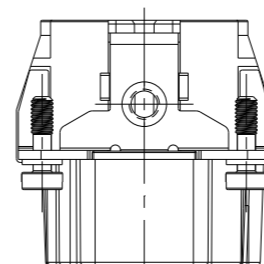
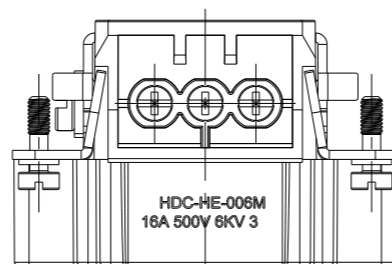
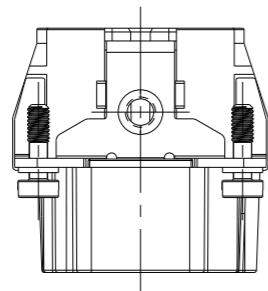
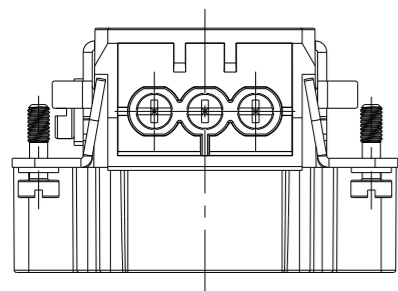
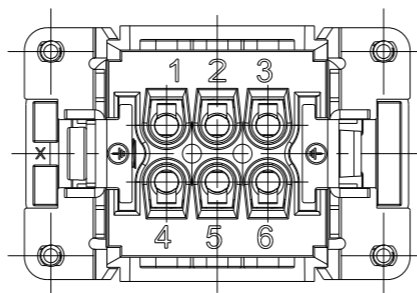
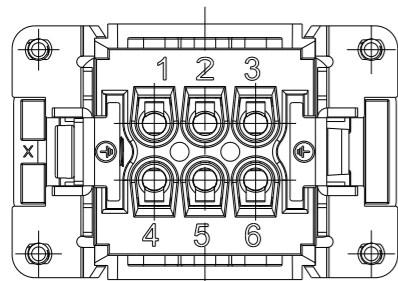
DIMENSIONS:	TOLERANCES UNLESS OTHERWISE SPECIFIED:
mm	
0 PLC	±-
1 PLC	±-
2 PLC	±-
3 PLC	±-
4 PLC	±-
ANGLES	±-
MATERIAL	FINISH
-	-
-	-

DWN	GINO YAO	4APR2015
CHK	CHRIS WANG	4APR2015
APVD	XIANG XU	4APR2015
PRODUCT SPEC	108-137044	
APPLICATION SPEC	114-137044	
WEIGHT	-	
CUSTOMER DRAWING		

		TE Connectivity	
		NAME HE-006-M	
SIZE	CAGE CODE	DRAWING NO	RESTRICTED TO
A3	00779	©-T2040062101000	-
SCALE 1:1		SHEET 1 OF 2	REV D

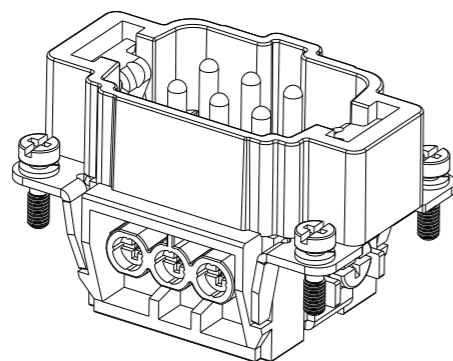
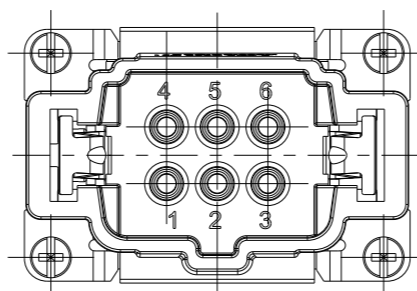
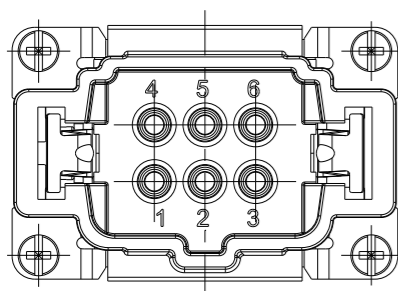
REVISIONS

P	LTR	DESCRIPTION	DATE	DWN	APVD
		SEE SHEET 1			



TYPE 3, T2049062101-000, WITHOUT LASER TE LOGO, UNDEFINED DIMENSIONS REFER TO ITEM 1.

类型 3, T2049062101-000, 不带激光TE LOGO, 未注尺寸参考类型1.



TYPE 2, T2040062101-001, WITHOUT LASER SIDE MARK, UNDEFINED DIMENSIONS REFER TO ITEM 1.

类型 2, T2040062101-001, 不带激光侧面标识, 未注尺寸参考类型1.

T2040062101-000	HE-006-M	HE-006 MALE INSERT HE-006 公插	TYPE 1
T2040062101-001	HE-006-M	HE-006 MALE INSERT, WITHOUT LASER SIDE MARK, HE-006 公插, 无激光侧面标识	TYPE 2
T2049062101-000	HE-006-M	HE-006 MALE INSERT, WITHOUT LOGO HE-006 公插, 无LOGO	TYPE 3
PART NUMBER 料号	PART DESCRIPTION 描述		TYPE 类型

THIS DRAWING IS A CONTROLLED DOCUMENT.

DIMENSIONS:	TOLERANCES UNLESS OTHERWISE SPECIFIED:
mm	
	0 PLC ±-
	1 PLC ±-
	2 PLC ±-
	3 PLC ±-
	4 PLC ±-
	ANGLES ±-
MATERIAL	FINISH
-	-
-	-

DWN	GINO YAO	4APR2015
CHK	CHRIS WANG	4APR2015
APVD	XIANG XU	4APR2015
PRODUCT SPEC	108-137044	
APPLICATION SPEC	114-137044	
WEIGHT	-	
CUSTOMER DRAWING		

		TE Connectivity	
		NAME HE-006-M	
SIZE	CAGE CODE	DRAWING NO	RESTRICTED TO
A3	00779	©-T2040062101000	-
SCALE 1:1		SHEET 2 OF 2	REV D

NOTE:
ALL SPEC REFER TO TYPE 1

注释:
所有产品规范参照 TYPE 1

单击下面可查看定价，库存，交付和生命周期等信息

[>>TE Connectivity\(泰科\)](#)