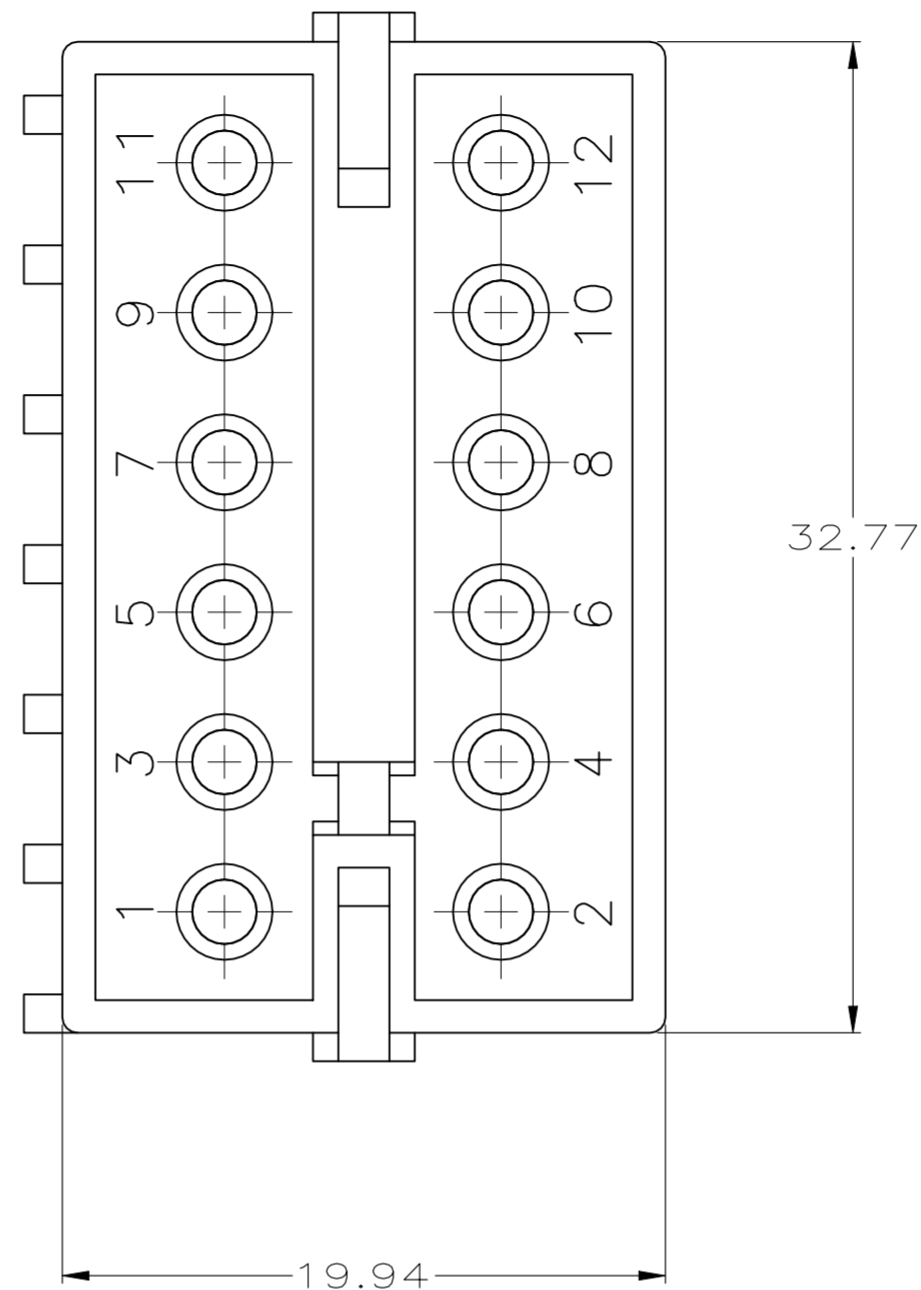
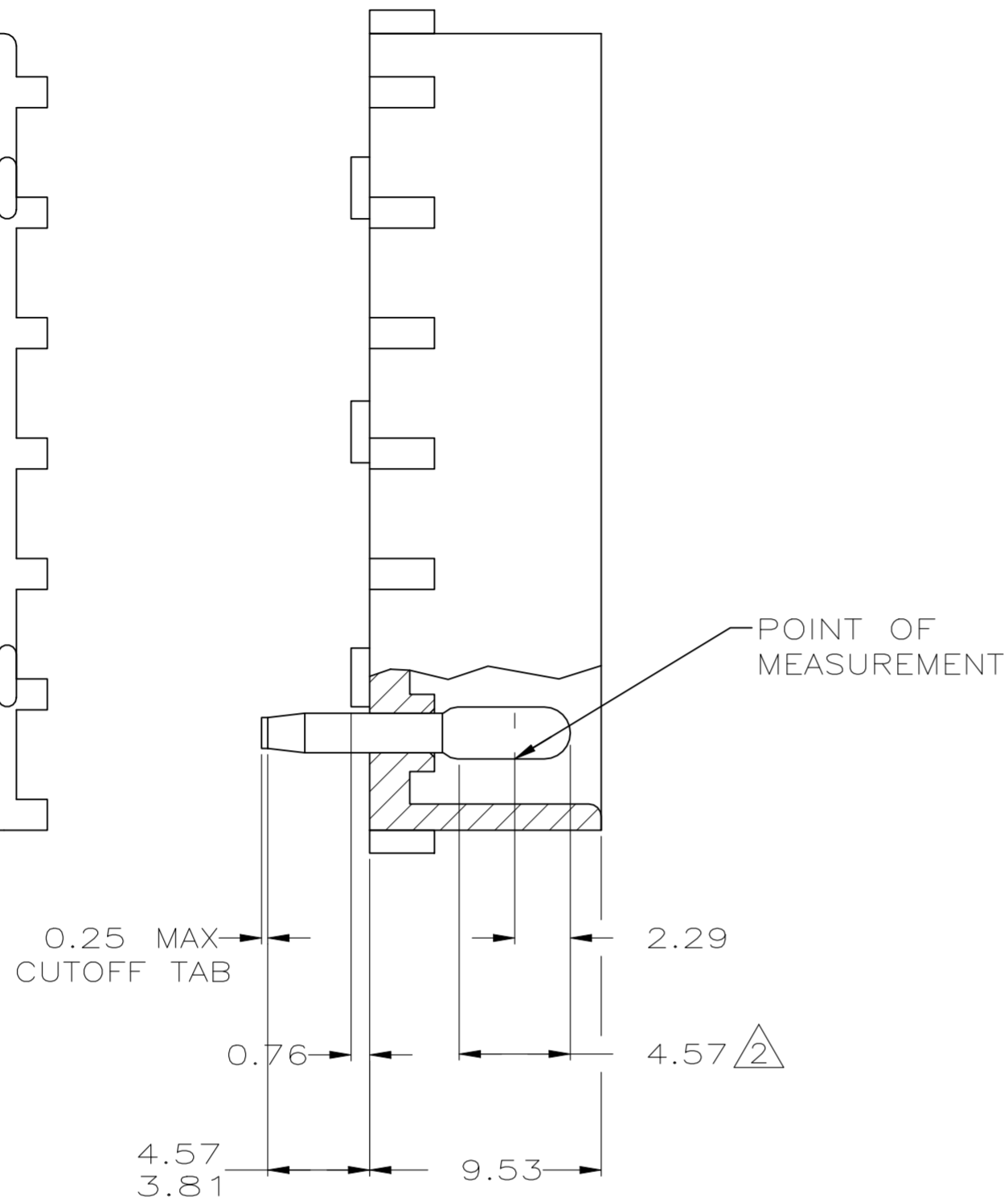
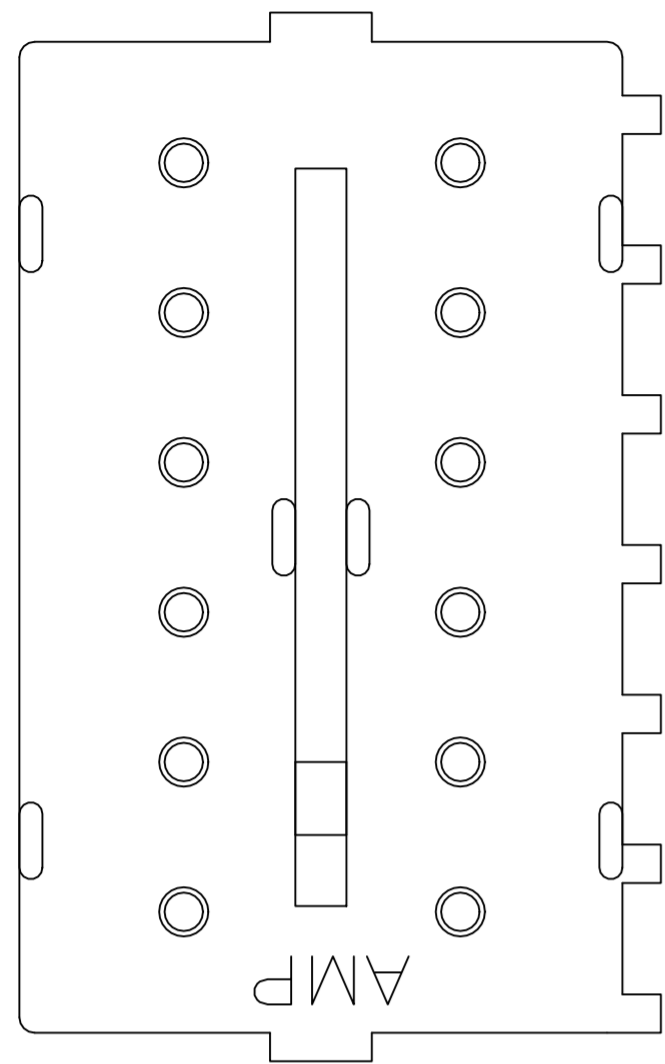
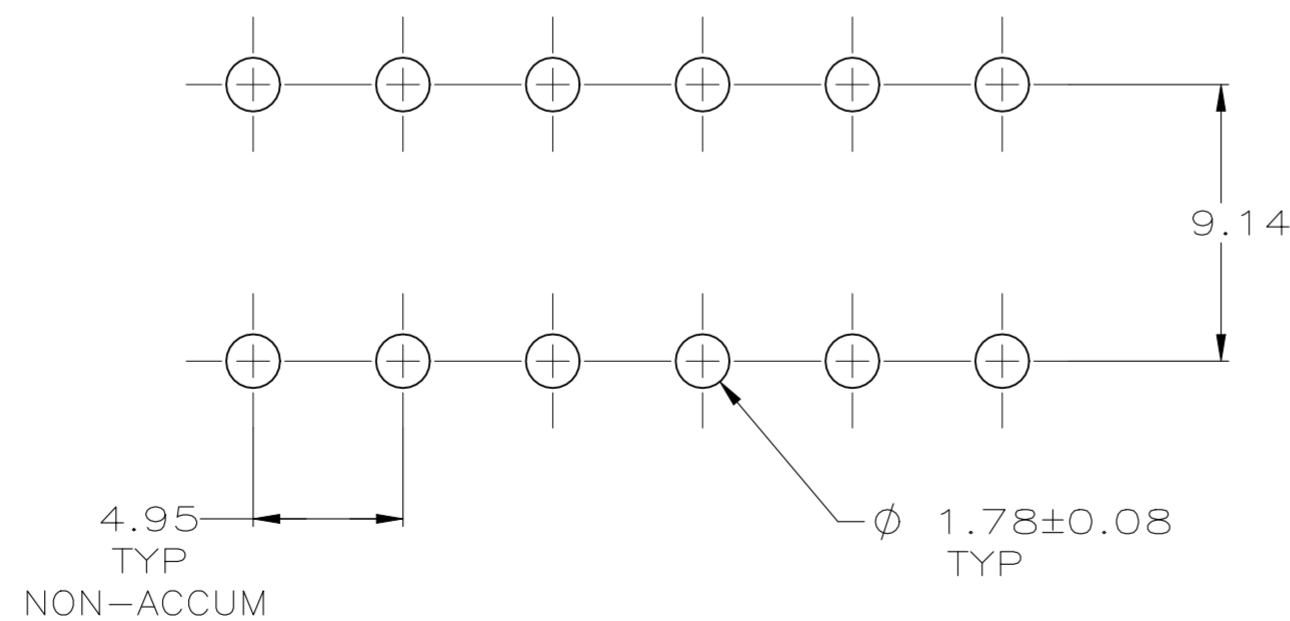


THIS DRAWING IS UNPUBLISHED. RELEASED FOR PUBLICATION  
 © COPYRIGHT BY TYCO ELECTRONICS CORPORATION. ALL RIGHTS RESERVED.

LOC	DIST	REVISIONS			
P	LTR	DESCRIPTION	DATE	DWN	APVD
CM	0	A	REVISED PER ECR-21-117185	25OCT2021	PJ VS



- PARTS COMPLY WITH AMP SOLDERABILITY SPEC 109-11-2.
- CONTACT IS PLATED OVERALL WITH 0.00127 NICKEL THEN 0.00076 GOLD OVER LENGTH INDICATED AND MATTE TIN ON SOLDER TAIL END.
- DIMENSION SHOWN REPRESENT PRODUCT IN DRY CONDITION. ADDITIONAL 2% GROWTH DUE TO END USE LOCATION MOISTURE ABSORPTION MAY OCCUR AND SHOULD BE ACCOUNTED FOR.



RECOMMENDED MOUNTING HOLE PATTERN FOR .062 THICK P.C. BOARD

CU ALLOY	$\triangle$	NYLON, UL94V-0	NATURAL	1586520-2
MATERIAL	FINISH	MATERIAL	COLOR	PART NO
PIN		HOUSING		
THIS DRAWING IS A CONTROLLED DOCUMENT.		DWN S SCHLEGEL 7/28/05	tyco Tyco Electronics Corporation	
		CHK D COLEY 7/28/05	Harrisburg, Pa 17105-3608	
		APVD D COLEY 7/28/05	NAME	
DIMENSIONS: mm		PRODUCT SPEC	HEADER ASSEMBLY, 12 CIRCUIT, COMMERCIAL MATE-N-LOK	
TOLERANCES UNLESS OTHERWISE SPECIFIED:		APPLICATION SPEC	SIZE CAGE CODE DRAWING NO RESTRICTED TO	
0 PLC ± -			A2 00779 C=1586520	
1 PLC ± -			SCALE 4:1 SHEET 1 OF 1 REV A	
2 PLC ± 0.13				
3 PLC ± -				
4 PLC ± -				
ANGLES ± -				
MATERIAL SEE TABLE	FINISH SEE TABLE	WEIGHT -		
		CUSTOMER DRAWING		

单击下面可查看定价，库存，交付和生命周期等信息

[>>TE Connectivity\(泰科\)](#)