

4

3

2

1

THIS DRAWING IS UNPUBLISHED.

RELEASED FOR PUBLICATION

,19

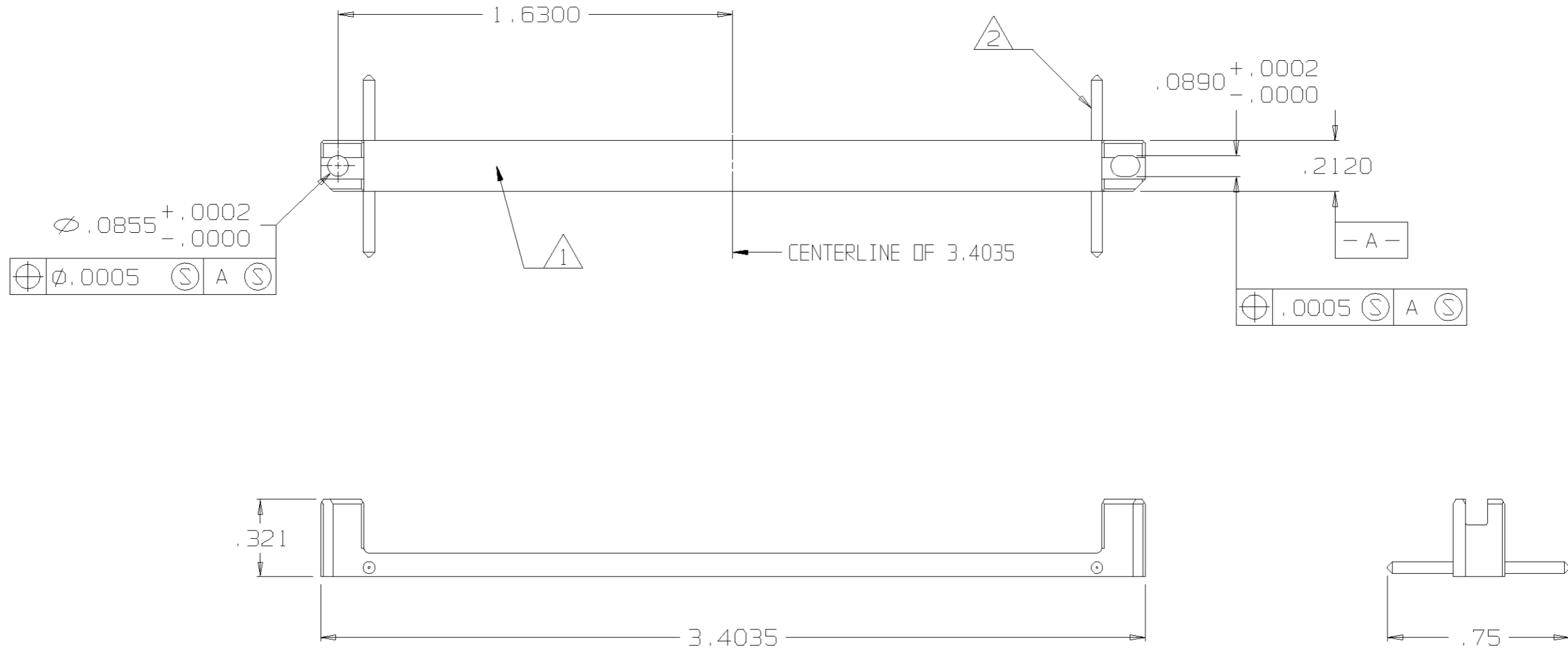
© COPYRIGHT 19

BY AMP INCORPORATED. ALL RIGHTS RESERVED.

LOC AD DIST 47

REVISIONS

P	LTR	DESCRIPTION	DATE	DWN	APVD
0		RELEASED	5-24-99	JG	SS



$\varnothing .0855 \begin{matrix} +.0002 \\ -.0000 \end{matrix}$

$\oplus \varnothing .0005 \text{ (S) A (S)}$

$\oplus .0005 \text{ (S) A (S)}$

① PART NUMBER MARKED IN AREA INDICATED.

② END CAPS APPLIED TO PINS NOT SHOWN.

767680-1

PART NUMBER

THIS DRAWING IS A CONTROLLED DOCUMENT.		DWN J. GERACE 5-24-99	AMP AMP Incorporated Harrisburg, PA 17105-3608
DIMENSIONS: INCHES		CHK S. STRICKLER 5-24-99	
TOLERANCES UNLESS OTHERWISE SPECIFIED:		APVD A. MONK 5-24-99	NAME
0 PLC ± -		PRODUCT SPEC	FIRST DATUM BLOCK, DUAL INSPECTION GAGE, 228 POS RECEPTACLE, MICTOR
1 PLC ± -		APPLICATION SPEC	SIZE A3
2 PLC ± .01		WEIGHT	CAGE CODE 00779
3 PLC ± .005		CUSTOMER DRAWING	DRAWING NO. 767680
4 PLC ± .0005			SCALE 2:1
ANGLES ± -			SHEET 1 OF 1
MATERIAL STAINLESS STEEL	FINISH -		REV 0

单击下面可查看定价，库存，交付和生命周期等信息

[>>TE Connectivity\(泰科\)](#)