

THIS DRAWING IS UNPUBLISHED.

RELEASED FOR PUBLICATION

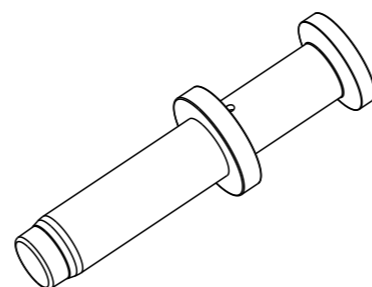
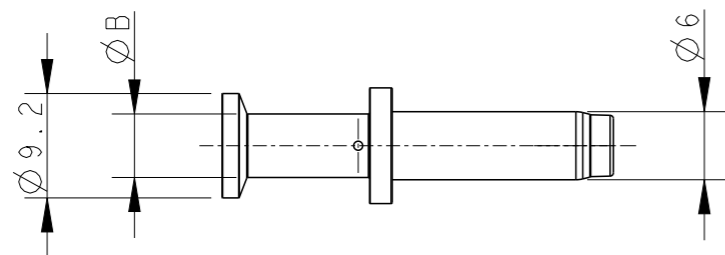
20

© COPYRIGHT 20 BY -

ALL RIGHTS RESERVED.

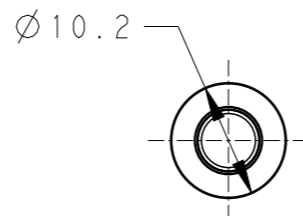
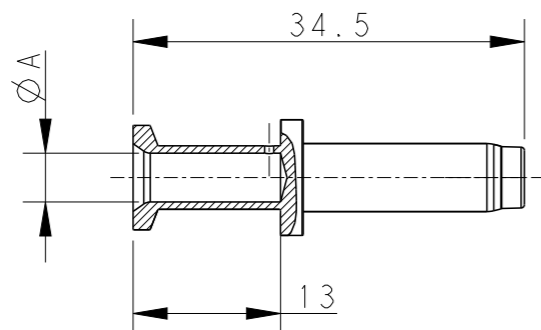
REVISIONS

P	LTR	DESCRIPTION	DATE	DWN	APVD
	A	INITIAL	29 JUL 2022	DW	CW



NOTES:
 1. TECHNICAL CHARACTERISTICS:
 CONTACT MATERIAL: Cu ALLOY
 SURFACE PLATING: SILVER
 CONTACT RESISTANCE: $\leq 1.0m\Omega$
 WIRE RANGE: 10-16mm² (8-6 AWG)

注释:
 1. 技术参数:
 公针材料: 铜合金
 表面电镀: 镀银
 接触电阻: $\leq 1.0m\Omega$
 接线范围: 10-16mm² (8-6 AWG)



T2400031100-002	HSM-10	HSM-10, SILVER PLATING SS公针 10mm ² , 镀银, 高插拔	4.3	5.6	AWG 8 (10mm ²)	13
T2400031160-002	HSM-16	HSM-16, SILVER PLATING SS公针 16mm ² , 镀银, 高插拔	5.8	8.5	AWG 6 (16mm ²)	
PART NUMBER 料号	PART DESCRIPTION 描述		ϕA	ϕB	WIRE GAUGE 线规	STRIPPING LENGTH(mm) 剥线长度

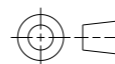
THIS DRAWING IS A CONTROLLED DOCUMENT.

DWN 29 JUL 2022
DAVID WANG
 CHK 29 JUL 2022
GINO YAO
 APVD 29 JUL 2022
CHRIS WANG



DIMENSIONS:
mm

TOLERANCES UNLESS OTHERWISE SPECIFIED:



0 PLC \pm -
 1 PLC \pm -
 2 PLC \pm -
 3 PLC \pm -
 4 PLC \pm -
 ANGLES \pm -

MATERIAL

FINISH

PRODUCT SPEC
108-137613
 APPLICATION SPEC
114-137613
 WEIGHT -

NAME
HSM PIN CONTACT

SIZE CAGE CODE DRAWING NO RESTRICTED TO

A300779 C-T2400031XX0002 -

CUSTOMER DRAWING SCALE 3:2 SHEET 1 OF 1 REV A

单击下面可查看定价，库存，交付和生命周期等信息

[>>TE Connectivity\(泰科\)](#)