
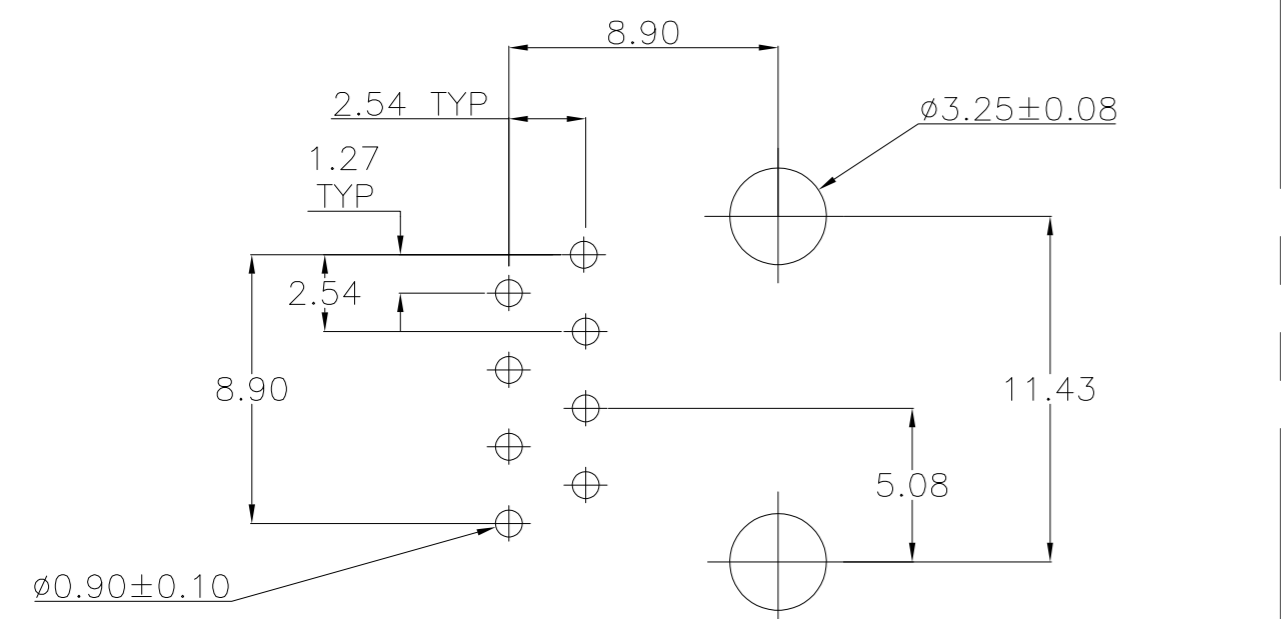
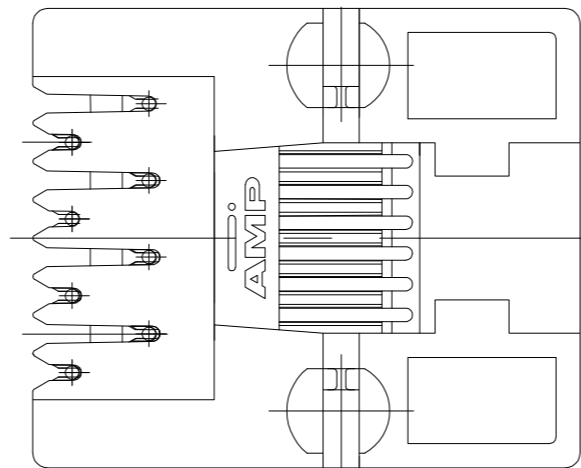
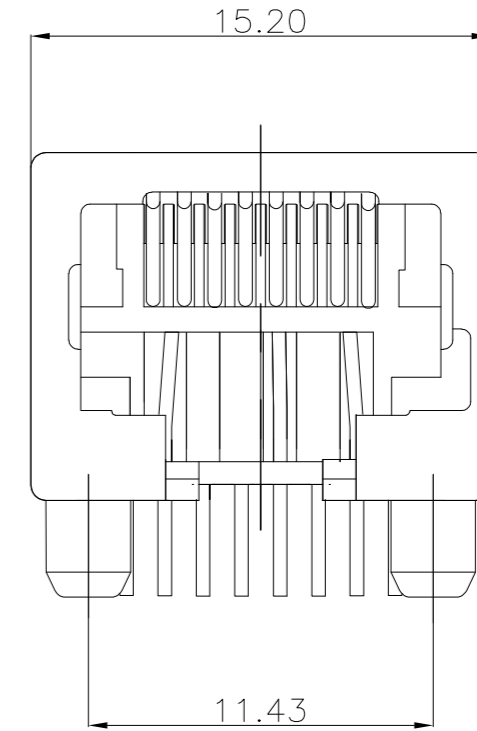
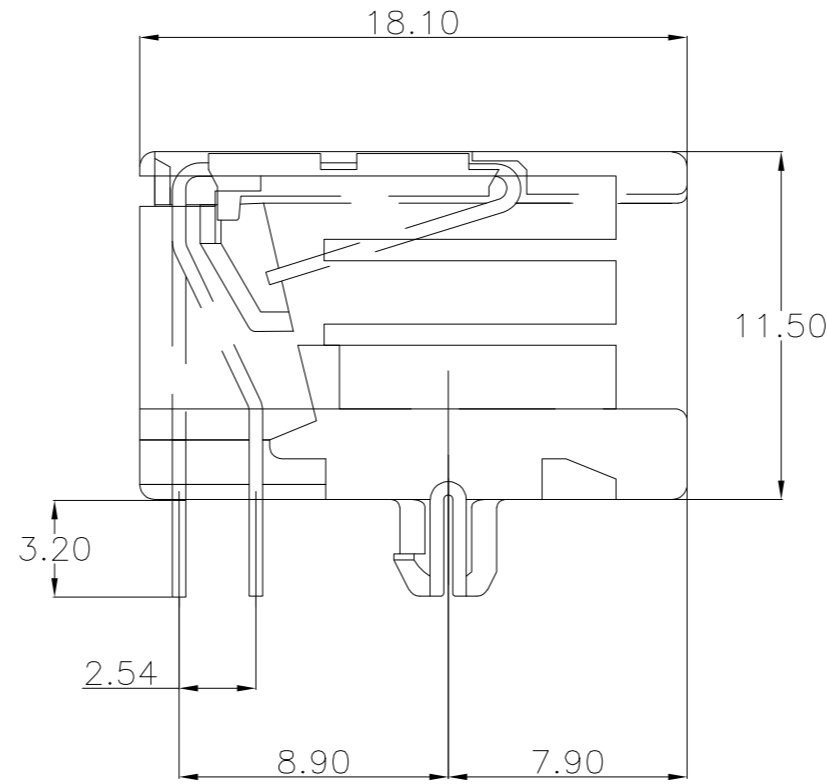
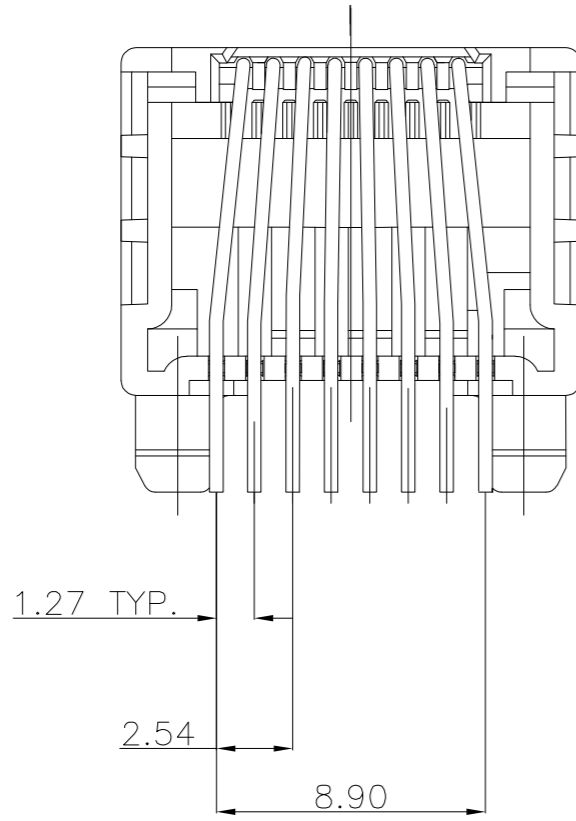
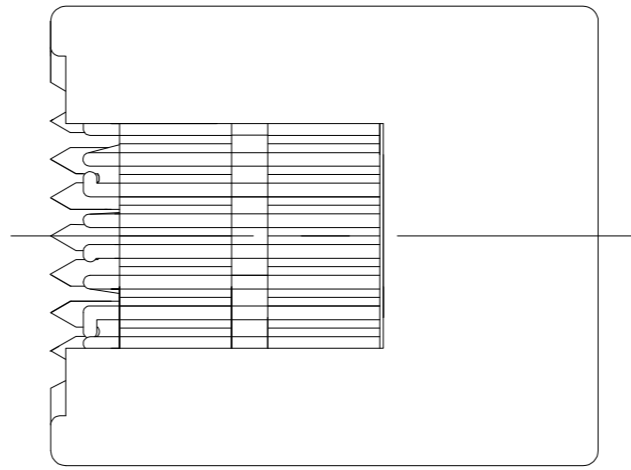


THIS DRAWING IS UNPUBLISHED. RELEASED FOR PUBLICATION
 © COPYRIGHT - By - ALL RIGHTS RESERVED.


LOC	DIST	REVISIONS					
		P	LTR	DESCRIPTION	DATE	DWN	APVD
IR	-	L		ECR-10-020218	21JUN2011	PS	RRP


NOTES:

- FOR APPLICATION INFORMATION SEE SPEC. 114-19019.
- FOR PERFORMANCE REQUIREMENTS SEE SPEC. 108-19064.
- TOLERANCES UNLESS OTHERWISE SPECIFIED: ± 0.15 .
-  FOR THIS PACKAGING METHOD THE TRUE POSITION OF THE SOLDER TINES IS NOT GUARANTEED.



PRINTED CIRCUIT BOARD LAYOUT
 VIEW SHOWN IS CIRCUIT (NONCOMPONENT) SIDE OF BOARD.
 PRINTED CIRCUIT BOARD THICKNESS: 1.6 mm NOMINAL.
 TOLERANCES UNLESS OTHERWISE SPECIFIED:

 1000 PIECES BULK PACKAGED	8 POS./ 8 CONTACTS	OVERALL: Ni 1.27 μ m MIN. ALL OVER THE CONTACTS SOLDER ZONE: Sn 2.5 μ m MIN. ON THE SOLDER ZONE OF THE CONTACT MATING ZONE: PLATING CONFIRMS TO PRODUCT REQUIREMENTS AS PER SPECIFICATION 108-19064	HOUSING COLOR BLACK: PBT, UL 94V-0 CONTACT INSERT: PBT, UL 94V-0 CONTACTS: Ph BRONZE	2-215878-1
TAPE MOUNTED 700 PCS./REEL				215878-1
PACKAGING	REMARKS	FINISH	MATERIAL	ORDER NUMBER

THIS DRAWING IS A CONTROLLED DOCUMENT.		DWN 15NOV88 C.A.STERKEN	 TE Connectivity	
DIMENSIONS: mm		CHK - W.BRUMMANS		
TOLERANCES UNLESS OTHERWISE SPECIFIED:		APVD - L.v.SOEST	NAME	
0 PLC \pm -		PRODUCT SPEC	MODULAR JACK, 8 POS. 90 DEG LOW PROFILE FOR PRINTED CIRCUIT BOARD	
1 PLC \pm -		APPLICATION SPEC	SIZE	CAGE CODE
2 PLC \pm -		108-19064	DRAWING NO	RESTRICTED TO
3 PLC \pm -		114-19019	SCALE	SHEET
4 PLC \pm -		WEIGHT -	A2 00779	C=215878
ANGLES \pm -		CUSTOMER DRAWING	SCALE -	SHEET 1 of 1
MATERIAL SEE NOTES	FINISH SEE NOTES			REV L

单击下面可查看定价，库存，交付和生命周期等信息

[>>TE Connectivity\(泰科\)](#)