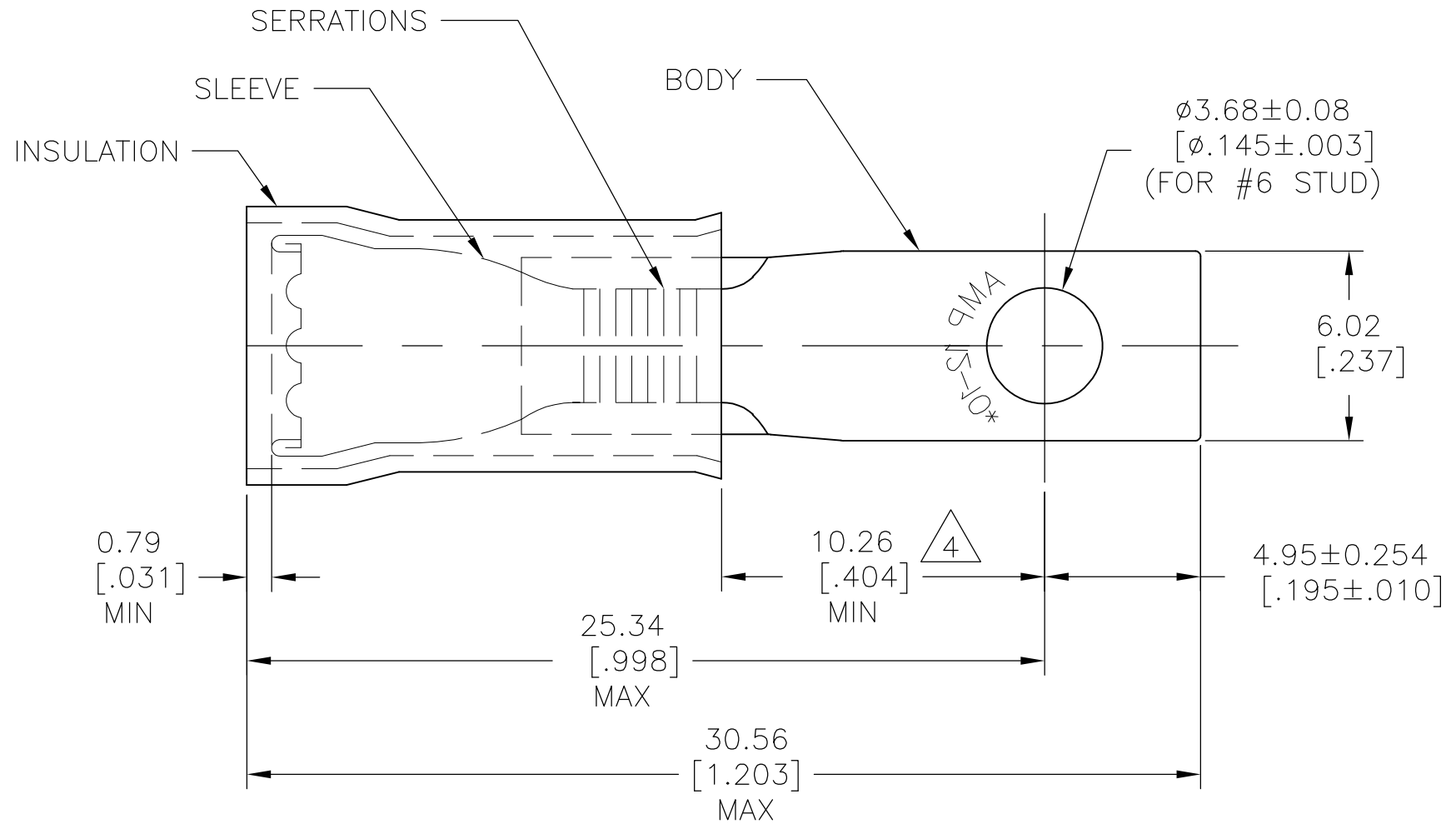


THIS DRAWING IS UNPUBLISHED. RELEASED FOR PUBLICATION  
 © COPYRIGHT - By - ALL RIGHTS RESERVED.

| LOC | DIST | REVISIONS |     |                           |         |     |      |
|-----|------|-----------|-----|---------------------------|---------|-----|------|
| G   | 14   | P         | LTR | DESCRIPTION               | DATE    | DWN | APVD |
|     |      |           | K3  | REVISED PER ECO-11-004917 | 11MAR11 | RK  | HMR  |



- 1 TONGUE MATERIAL THK:  $1.02 \pm 0.05$  [  $.040 \pm .002$  ]
- 2 FOR 3.81 [ .150 ] TO 5.84 [ .230 ] WIRE INSULATION DIA
- 3 SUPERSEDED BY 2-327960-1
- 4 APPLIES FROM THE METAL EDGE OF THE BARREL TO THE CENTER OF THE STUD
- 5 MEETS MS17143-15, CLASS 1 & 2
- 6 MEETS MS17143-15, CLASS 2

| QTY        | DESCRIPTION           | MATERIAL & FINISH  | PART NO               |
|------------|-----------------------|--|-----------------------|
| 1          | ON TAPE               | BODY & SLEEVE: COPPER (ASTM-B152)<br>TIN PL (ASTM-B545)  | 6 2-327960-2          |
| OBSOLETE 1 | 2-327960-1<br>ON TAPE | INSULATION: NYLON (ASTM-D4066) TYPE 1<br>COLOR: YELLOW   | <del>2-327960-3</del> |
| 1          | WIRE TERMINAL         |  | 5 2-327960-1          |
| 1          | WIRE TERMINAL         | BODY: COPPER (ASTM-B152)<br>TIN PL (ASTM-B545)<br>SLEEVE: COPPER (ASTM-B152)<br>INSULATION: PVC<br>COLOR: YELLOW | 3 327960              |

|  |  |                              |  |                 |
|--|--|------------------------------|--|-----------------|
| THIS DRAWING IS A CONTROLLED DOCUMENT.   |  | DWN RAGHAVENDRA 01SEP09      | <b>STE</b> TE Connectivity                                     |                 |
| DIMENSIONS: mm [INCHES]  |  | CHK JEFF RUTH 01SEP09        |  |                 |
| TOLERANCES UNLESS OTHERWISE SPECIFIED:   |  | APVD TOM MICHIELUTTI 01SEP09 | NAME   |                 |
| 0 PLC ± -<br>1 PLC ± -<br>2 PLC ± -<br>3 PLC ± 0.20 [ .008 ]<br>4 PLC ± -<br>ANGLES ± 5° |  | PRODUCT SPEC                 | WIRE TERMINAL<br>PIDG - RECTANGULAR TONGUE<br>WIRE SIZE: 12-10 |                 |
| MATERIAL SEE TABLE   |  | FINISH SEE TABLE             | APPLICATION SPEC   | RESTRICTED TO   |
|  |  | WEIGHT -                     | SIZE A3  | CAGE CODE 00779 |
|  |  | CUSTOMER DRAWING             | DRAWING NO C-327960  | RESTRICTED TO - |
|  |  | SCALE 5:1                    | SHEET 1 OF 1   | REV K3          |

单击下面可查看定价，库存，交付和生命周期等信息

[>>TE Connectivity\(泰科\)](#)