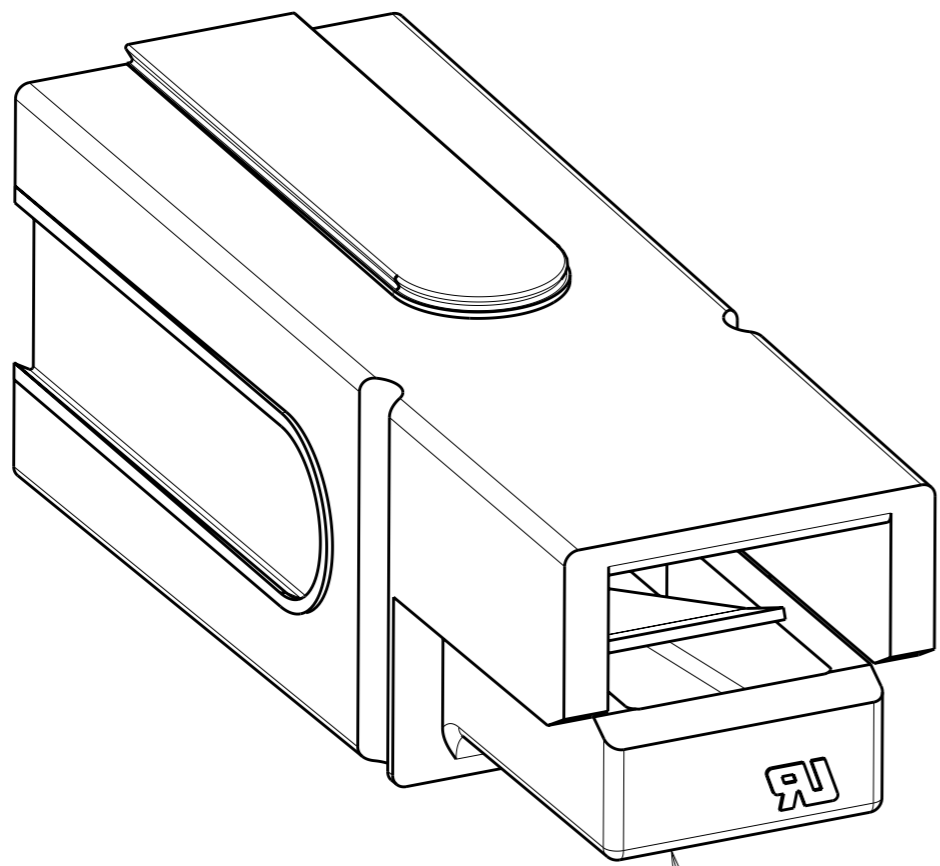
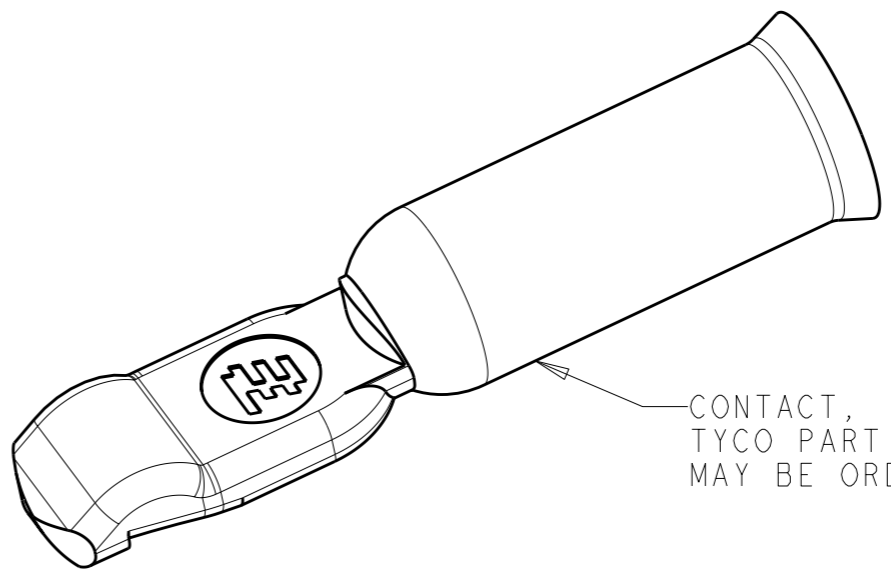


THIS DRAWING IS UNPUBLISHED. RELEASED FOR PUBLICATION 20
 © COPYRIGHT 20 BY TYCO ELECTRONICS CORPORATION. ALL RIGHTS RESERVED.

| LOC | DIST | REVISIONS | | | |
|-----|------|-------------|---------------------------|-----------|--------|
| P | LTR | DESCRIPTION | DATE | DWN | APVD |
| CM | 0 | 01 | REVISED PER ECR-10-010379 | 24MAY2010 | HMR JR |
| | | | | | |
| | | | | | |



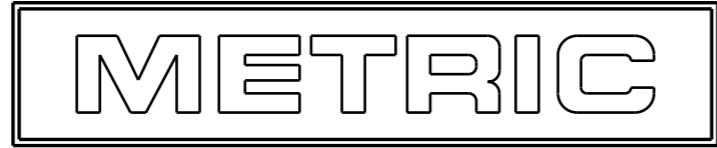
HOUSING-SPRING SUB-ASSY, 1 REQD
 TYCO PART NUMBER
 1604062-1 THRU -5 (INCLUSIVE)
 MAY BE ORDERED SEPARATELY



CONTACT, 1 AWG, 1 REQD
 TYCO PART NUMBER 1604041-1
 MAY BE ORDERED SEPARATELY

| | |
|---------------|-------------|
| GREEN | 1604397-5 |
| RED | 1604397-4 |
| WHITE | 1604397-3 |
| BLACK | 1604397-2 |
| BLUE | 1604397-1 |
| HOUSING COLOR | KIT PART NO |

THIS PRODUCT HAS PASSED VERIFICATION AND AGENCY APPROVALS TESTING AND IS COMPONENT RECOGNIZED PER UL 1977. TYCO ELECTRONICS PRODUCT QUALIFICATION TESTING IS NOT YET COMPLETED.



| | | | | | |
|---------------------------------------------------------------------------------------------------------------------------------------------------------------------------------------------------------|--|--------------------------------------------------------------------------------------------------------------------------|-----------------|------------------------------------------------------------------------------------------------------------------------------|-----------------|
| <small>THIS DRAWING IS A CONTROLLED DOCUMENT FOR TYCO ELECTRONICS CORPORATION IT IS SUBJECT TO CHANGE AND THE CONTROLLING ENGINEERING ORGANIZATION SHOULD BE CONTACTED FOR THE LATEST REVISION.</small> | | DWN 9SEP2002 Brent D. Yohn | | Tyco Electronics Harrisburg, PA 17105-3608 | |
| DIMENSIONS: mm | | TOLERANCES UNLESS OTHERWISE SPECIFIED: 0 PLC ±- 1 PLC ±0.4 2 PLC ±0.13 3 PLC ±0.050 4 PLC ±- ANGLES ±- | | CHK 9SEP2002 W.H. BERNHART APVD 9SEP2002 W.H. BERNHART PRODUCT SPEC - APPLICATION SPEC - WEIGHT - | |
| MATERIAL - | | FINISH - | | NAME KIT, CONNECTOR, SERIES 180 AMP, WITH 1 AWG CONTACTS | |
| CUSTOMER DRAWING | | SIZE A3 | CAGE CODE 00779 | DRAWING NO C-1604397 | RESTRICTED TO - |
| SCALE 2:1 | | | | SHEET 1 OF 1 | REV 01 |

单击下面可查看定价，库存，交付和生命周期等信息

[>>TE Connectivity\(泰科\)](#)