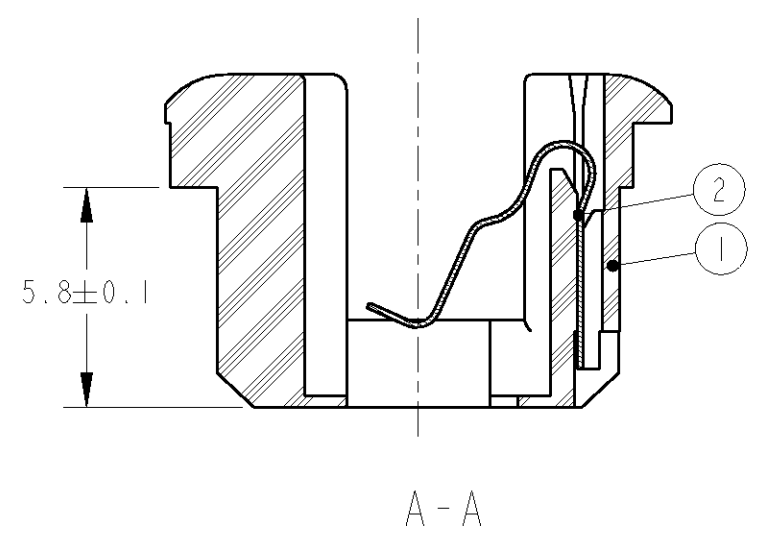
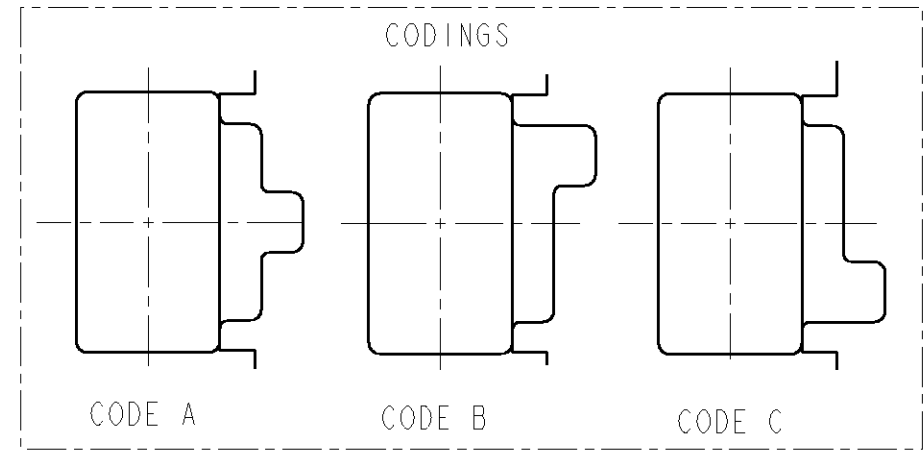
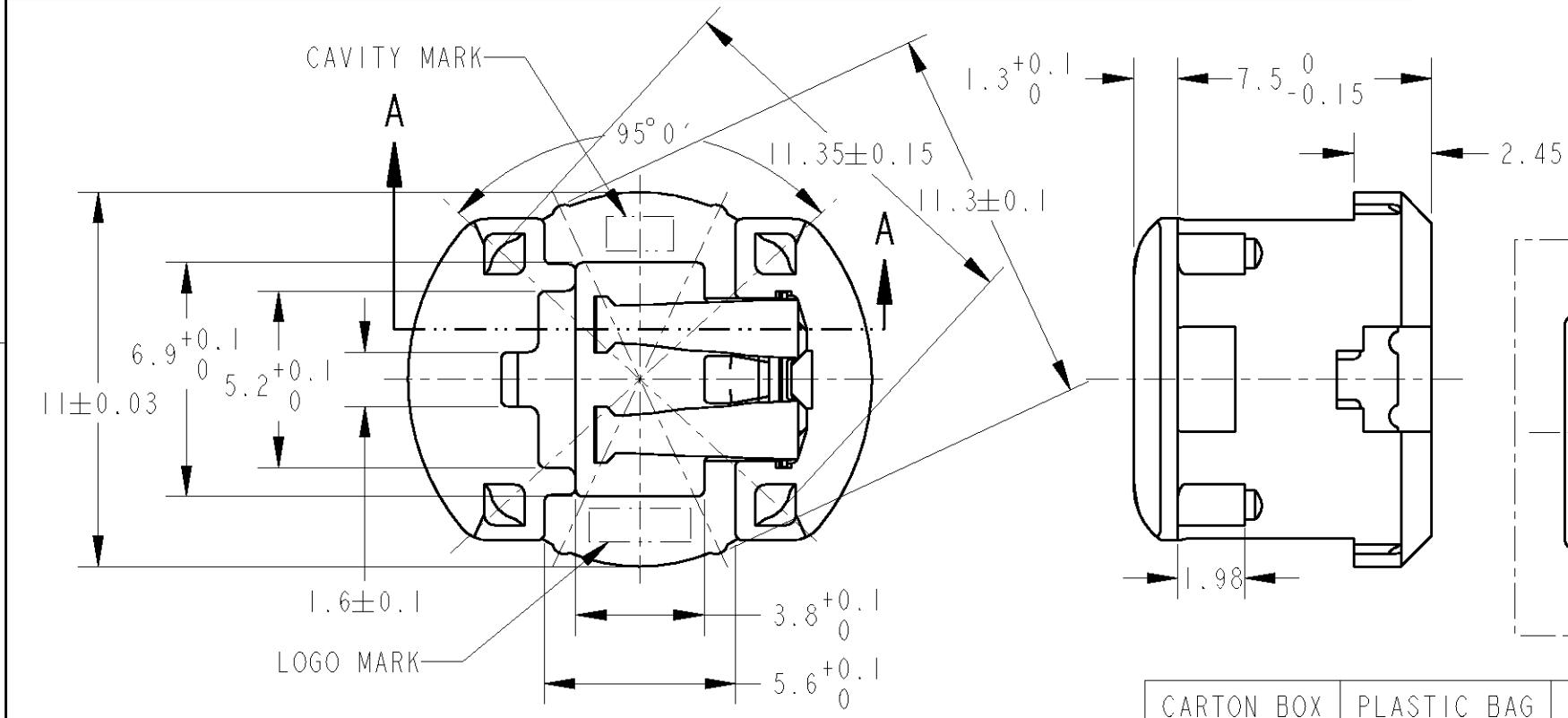


THIS DRAWING IS UNPUBLISHED. RELEASED FOR PUBLICATION 2001
 © COPYRIGHT 2001 BY TYCO ELECTRONICS CORPORATION. ALL RIGHTS RESERVED.

LOC	DIST	REVISIONS					
J	-	P	LTR	DESCRIPTION	DATE	DWN	APVD
		E3		ADDED ITEM 1-4	ECR-05-003162	30JUN2005	SI YF
		E4		REVISED	ECR-05-009369	22AUG2005	YS TH



OBSOLETE

CARTON BOX ダンボール箱	PLASTIC BAG ビニール袋	SELECTIVE GOLD NATURAL (自然色)	COPPER ALLOY PBT	SHORTING CLIP HOUSING	2 1	A	1-1473369-4
CARTON BOX ダンボール箱	PLASTIC BAG ビニール袋	SELECTIVE GOLD GREEN (緑)	COPPER ALLOY PBT	SHORTING CLIP HOUSING	2 1	C	1473369-9
CARTON BOX ダンボール箱	PLASTIC BAG ビニール袋	SELECTIVE GOLD GREEN (緑)	COPPER ALLOY PBT	SHORTING CLIP HOUSING	2 1	A	1473369-7
CARTON BOX ダンボール箱	PLASTIC BAG ビニール袋	SELECTIVE GOLD GRAY (灰)	COPPER ALLOY PBT	SHORTING CLIP HOUSING	2 1	A	1473369-5
CARTON BOX ダンボール箱	PLASTIC BAG ビニール袋	SELECTIVE GOLD YELLOW (黄)	COPPER ALLOY PBT	SHORTING CLIP HOUSING	2 1	A	1473369-4
CARTON BOX ダンボール箱	PLASTIC BAG ビニール袋	SELECTIVE GOLD ORANGE (橙)	COPPER ALLOY PBT	SHORTING CLIP HOUSING	2 1	C	1473369-3
CARTON BOX ダンボール箱	PLASTIC BAG ビニール袋	SELECTIVE GOLD GREEN (緑)	COPPER ALLOY PBT	SHORTING CLIP HOUSING	2 1	B	1473369-2
CARTON BOX ダンボール箱	PLASTIC BAG ビニール袋	SELECTIVE GOLD BLACK (黒)	COPPER ALLOY PBT	SHORTING CLIP HOUSING	2 1	A	1473369-1
OUTER 外装	INNER 内装	COLOR/FINISH 色/仕上	MATERIAL 材料	PART NAME 部品名	ITEM NO アイテム番号	CODE コード	PART NUMBER 型番
PACKING STYLE 梱包形態							

1. AS FOR THE HANDLING OF THIS PRODUCT,
 FOLLOW THE INSTRUCTION SHEET No. 411-5990.
 2. SEE SHEET 2 ABOUT RECOMMENDATION HOLDER FORM.

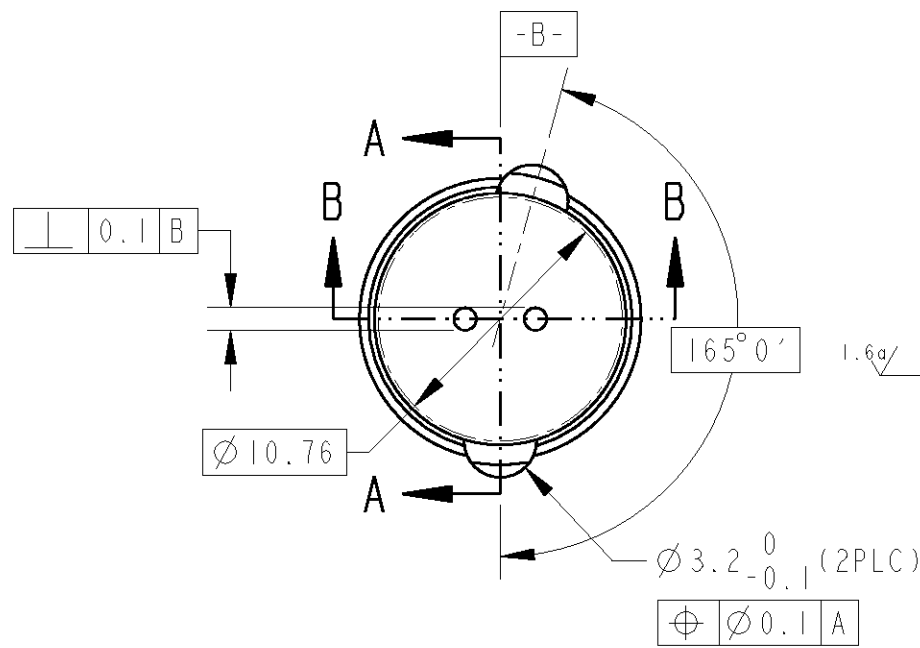
1. 本製品の取扱は、取扱説明書 No. 411-5990に従うこと。
 2. 推奨ホルダー形状はシート2に従うこと。

THIS DRAWING IS A CONTROLLED DOCUMENT FOR TYCO ELECTRONICS CORPORATION. IT IS SUBJECT TO CHANGE AND THE CONTROLLING ENGINEERING ORGANIZATION SHOULD BE CONTACTED FOR THE LATEST REVISION.

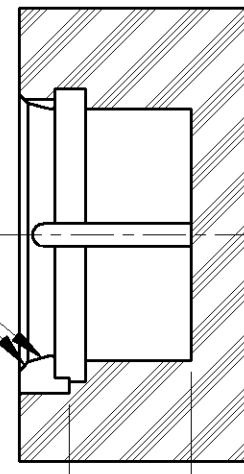
DIMENSIONS: 単位: 概 mm	TOLERANCES UNLESS OTHERWISE SPECIFIED: LINEAR = ± 0.3	DWN R. NAGAI 06APR2001	Tyco Electronics AMP K.K. Kawasaki, Japan
	0-PLC ± 1-PLC ±0.1 2-PLC ±0.01 3-PLC ±0.001 4-PLC ±0.0001 ANGLES ±3'00"	CHK T. HAYASHI 06APR2001	
		APVD N. SAI 06APR2001	
MATERIAL 材料 SEE TABLE	FINISH 仕上 SEE TABLE	PRODUCT SPEC 製品規格 108-5748	NAME 名称 SQUIB I1DIA SCR ASSY 8.8mm TYPE WITH FLANGE
CUSTOMER DRAWING		APPLICATION SPEC 取付適用規格 //	SIZE A3
		WEIGHT 0.5 g	CAGE CODE 00779
			DRAWING NO C=1473369
			RESTRICTED TO //
		SCALE 尺度 5:1	SHEET 1 OF 2
			REV E4

THIS DRAWING IS UNPUBLISHED. RELEASED FOR PUBLICATION 2001
 © COPYRIGHT 2001 BY TYCO ELECTRONICS CORPORATION. ALL RIGHTS RESERVED.

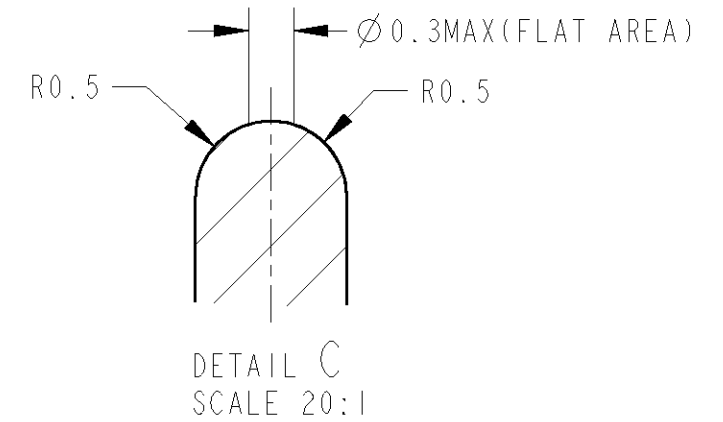
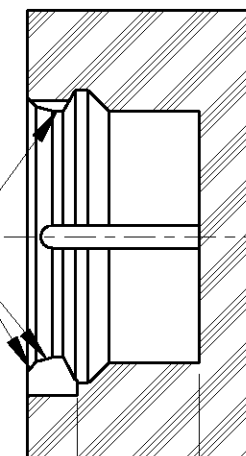
LOC	DIST	REVISIONS					
		P	LTR	DESCRIPTION	DATE	DWN	APVD
J	-			SEE SHEET 1 OF 2			



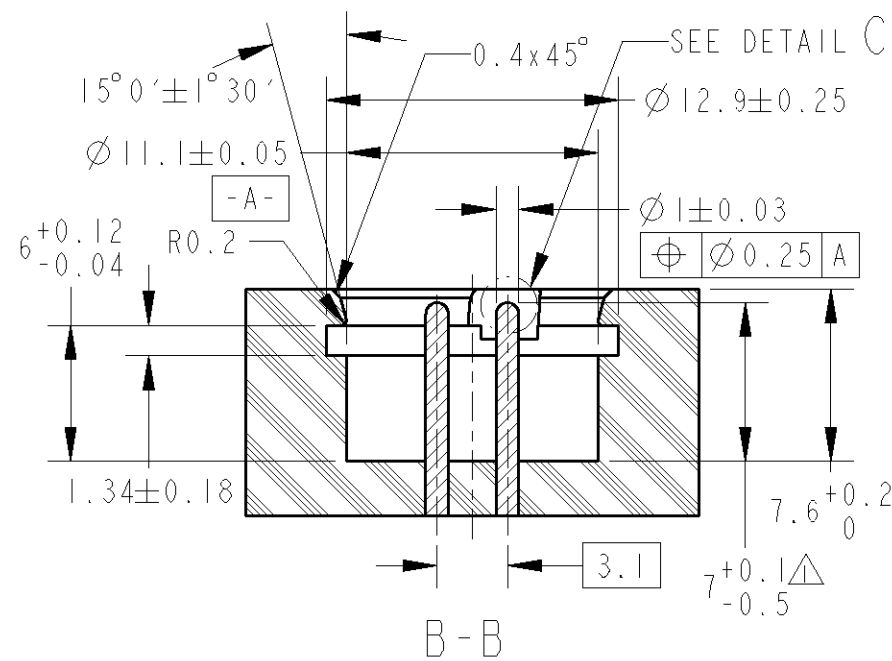
TYPE KT



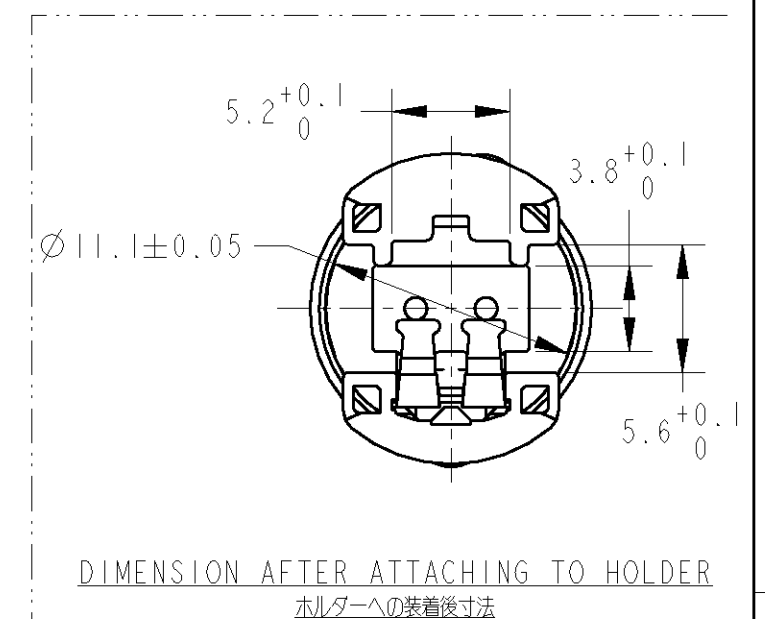
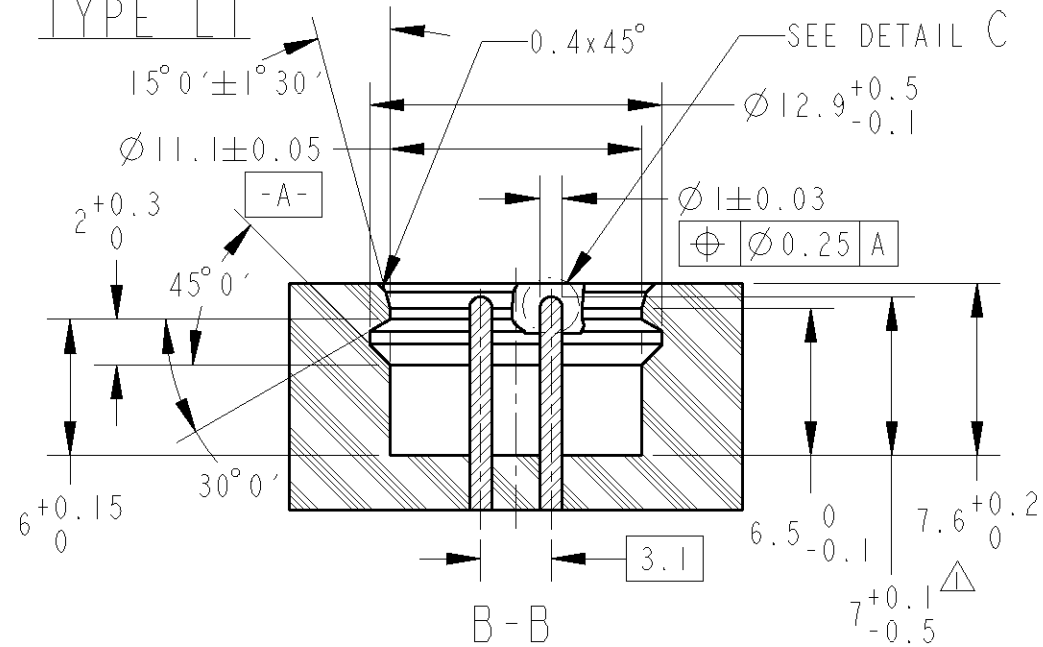
TYPE LT



TYPE KT



TYPE LT



△PLATING SPECIFICATION RELATED SQUIB PIN ;
MIN. 0.38μm Au OVER MIN. 1.0μm Ni

△スクイブピンには1.0μm以上のニッケルメッキ上に0.38μm以上の金メッキを行なう。

RECOMMENDATION HOLDER FORM

THIS DRAWING IS A CONTROLLED DOCUMENT FOR TYCO ELECTRONICS CORPORATION IT IS SUBJECT TO CHANGE AND THE CONTROLLING ENGINEERING ORGANIZATION SHOULD BE CONTACTED FOR THE LATEST REVISION.		DWN R. NAGAI 06APR2001 CHK T. HAYASHI 06APR2001 APVD N. SAI 06APR2001		tyco Electronics		Tyco Electronics AMP K.K. Kawasaki, Japan	
DIMENSIONS: 単位: 概 mm		TOLERANCES UNLESS OTHERWISE SPECIFIED: LINEAR = ± 0.1 0-PLC ± 1-PLC ±0.1 2-PLC ±0.01 3-PLC ±0.001 4-PLC ±0.0001 ANGLES ±1°00'		PRODUCT SPEC 製品規格 SEE 1 OF 2		NAME 名称 SQUIB 11DIA SCR ASSY 8.8mm TYPE WITH FLANGE	
MATERIAL 材料 SEE 1 OF 2		FINISH 仕上 SEE 1 OF 2		APPLICATION SPEC 取付適用規格 SEE 1 OF 2		SIZE A3	
WEIGHT 重量 SEE 1 OF 2		CUSTOMER DRAWING		CAGE CODE 00779		DRAWING NO 番号 1473369	
				RESTRICTED TO 〃		SCALE 尺度 5:1	
				SHEET 2 OF 2		REV E4	

单击下面可查看定价，库存，交付和生命周期等信息

[>>TE Connectivity\(泰科\)](#)