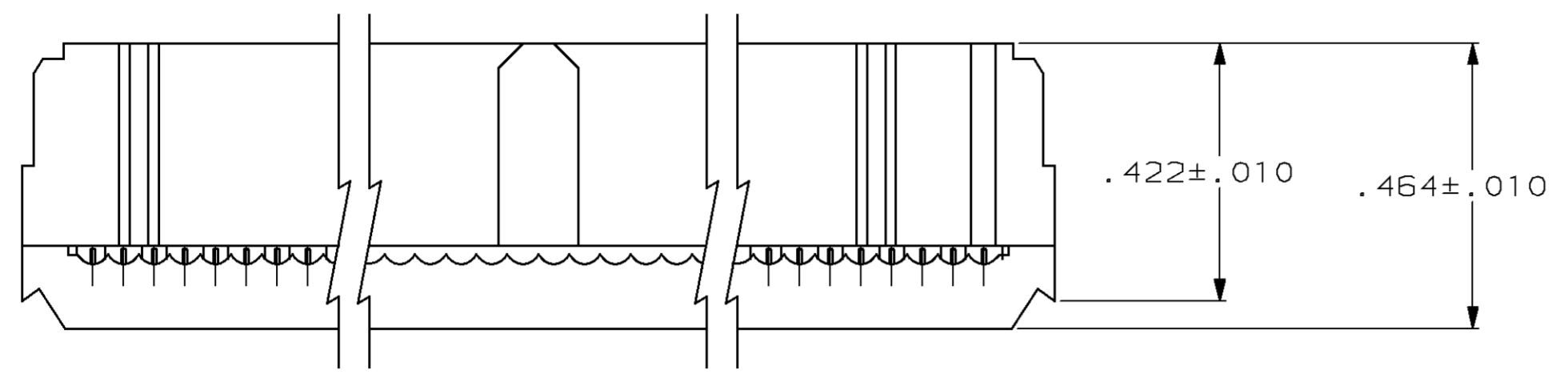
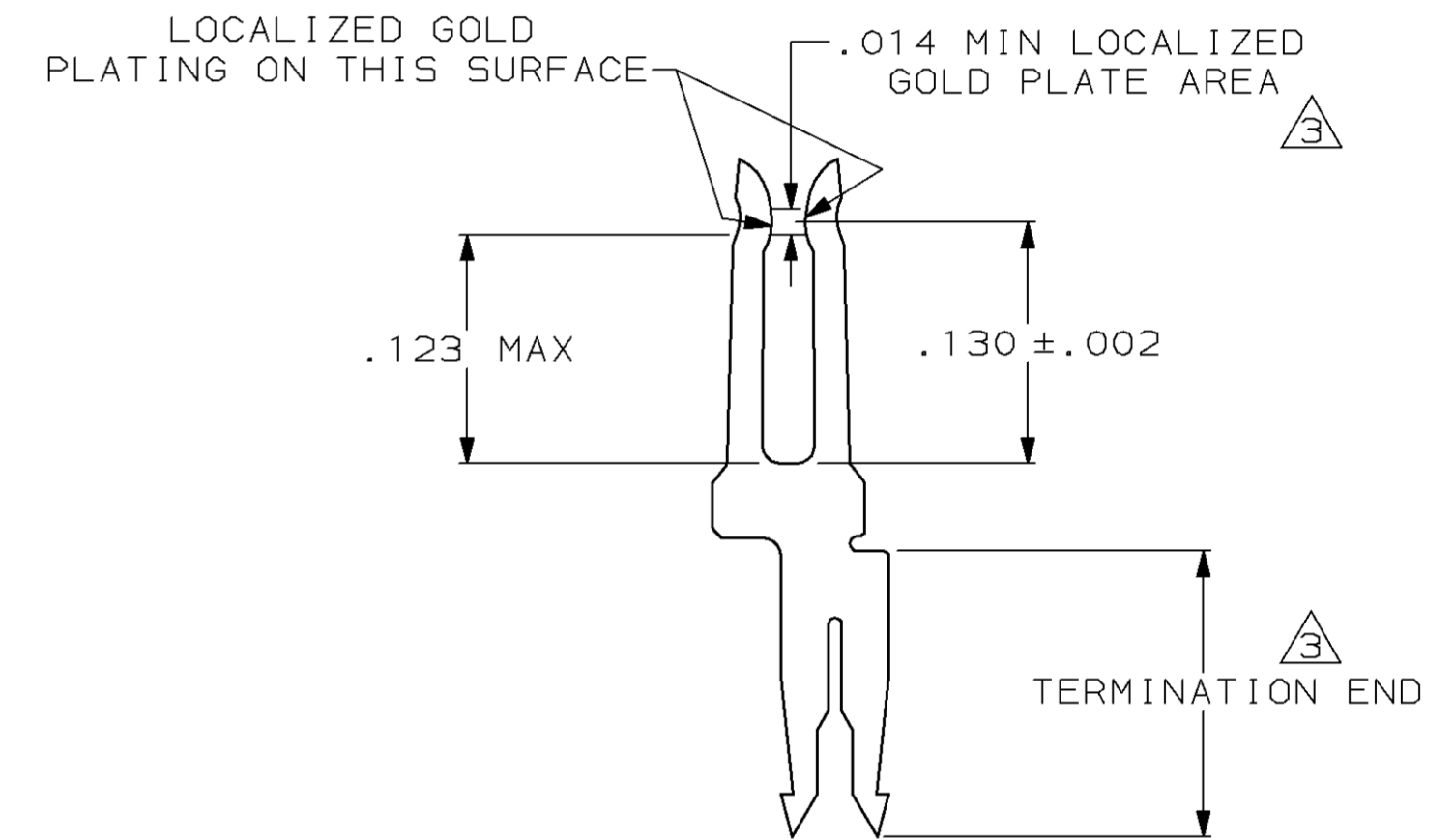


REVISONS		DATE	APP
A	REVSD REDRAWN		
B	REVSD/ECN CF-1706	07-88	DH
C	REV PER ECN CF1807 JPG	5-5-89	-
D	ADDED 2-1, 2-4, 2-8, 2-9, 3-0, 3-3 PER NPR 2901	5-7-90	SG
E	REV PER ECN BD4386	12-6-90	SG
F	ADDED 3-4 PER NPR 4061	3-16-92	SG
G	REV PER EC 0020-1041-93	12/02/93	JS
H	OBS 2--1, 2--4, 2--8, 2--9, 3--0, & 3--3 PER EC 0020-933-93	03/16/94	DK
J	OBSOLETE -34 PER EC 0410-197-96	21 AUG 97	JGH

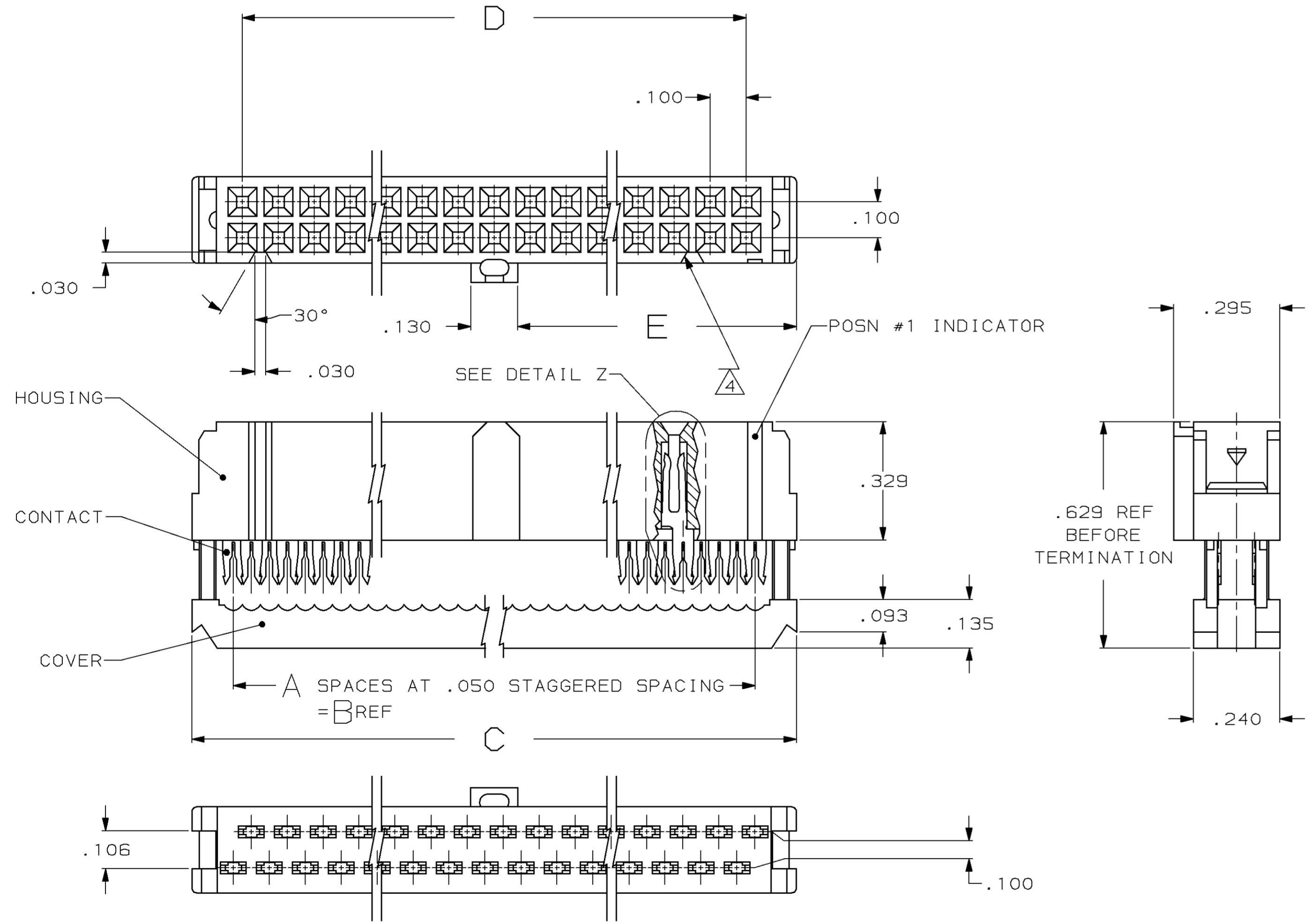
- ① UL RATED 94V-0 THERMOPLASTIC, COLOR: BLACK.
- ② PHOSPHOR BRONZE PER QQ-B-750.
- ③ PLATED WITH .000030 GOLD ON LOCALIZED GOLD PLATE AREA, .000100 - .000200 BRIGHT TIN LEAD ON TERMINATION END, ALL OVER .000050 NICKEL ON ENTIRE CONTACT.
- ④ POLARIZING FEATURE DOES NOT EXIST ON SAME END AS THE POSN #1 INDICATOR ON 10 AND 14 POSN PRODUCT.
- ⑤ UL RATED 94V-1 OR BETTER, THERMOPLASTIC, GRAY.



TERMINATED VIEW



DETAIL Z
SCALE 10:1
TYPICAL



	①	.925	1.700	1.980	1.750	35	36	3-746288-4
OBSOLETE	⑤	1.125	2.100	2.380	2.150	43	44	3-746288-3
OBSOLETE	⑤	1.275	2.400	2.680	2.450	49	50	3-746288-0
OBSOLETE	⑤	1.025	1.900	2.180	1.950	39	40	2-746288-9
OBSOLETE	⑤	.875	1.600	1.880	1.650	33	34	2-746288-8
OBSOLETE	⑤	.525	.900	1.180	.950	19	20	2-746288-4
OBSOLETE	⑤	.275	.400	.680	.450	9	10	2-746288-1
	①	1.125	2.100	2.380	2.150	43	44	1-746288-3
	①	1.625	3.100	3.380	3.150	63	64	1-746288-2
	①	1.525	2.900	3.180	2.950	59	60	1-746288-1
	①	1.275	2.400	2.680	2.450	49	50	1-746288-0
	①	1.025	1.900	2.180	1.950	39	40	746288-9
	①	.875	1.600	1.880	1.650	33	34	746288-8
	①	.775	1.400	1.680	1.450	29	30	746288-7
	①	.675	1.200	1.480	1.250	25	26	746288-6
	①	.625	1.100	1.380	1.150	23	24	746288-5
	①	.525	.900	1.180	.950	19	20	746288-4
	①	.425	.700	.980	.750	15	16	746288-3
	①	.375	.600	.880	.650	13	14	746288-2
	①	.275	.400	.680	.450	9	10	746288-1

UNLESS OTHERWISE SPECIFIED DIMENSIONS ARE IN INCHES. TOLERANCES ON: DECIMALS ± .005 ANGLES ± 5°	CONTRACT NO		AMP INCORPORATED Harrisburg, Pa.	
	DR	J. PEACHEY 9-30-85		
MATERIAL MOLDED PARTS: SEE TABLE	NAME		RECEPTACLE KIT, AMP-LATCH NOVO, CTR & MIL PLZN, 30 GOLD DUPLX CONTACTS, W/O STRAIN RLF	
	CHK	W.E. ZELKO 11-21-85		
CONTACTS: ②	APPD		SIZE D FSCM NO 00779 DRAWING NO 746288	
	APPD	J. SAUDER 11-21-85		
FINISH CONTACTS: ③	DSGN APPD		SCALE NTS SHEET 1 of 1	
	OTHER APPD	D. HOFFMAN 11-21-85		

单击下面可查看定价，库存，交付和生命周期等信息

[>>TE Connectivity\(泰科\)](#)