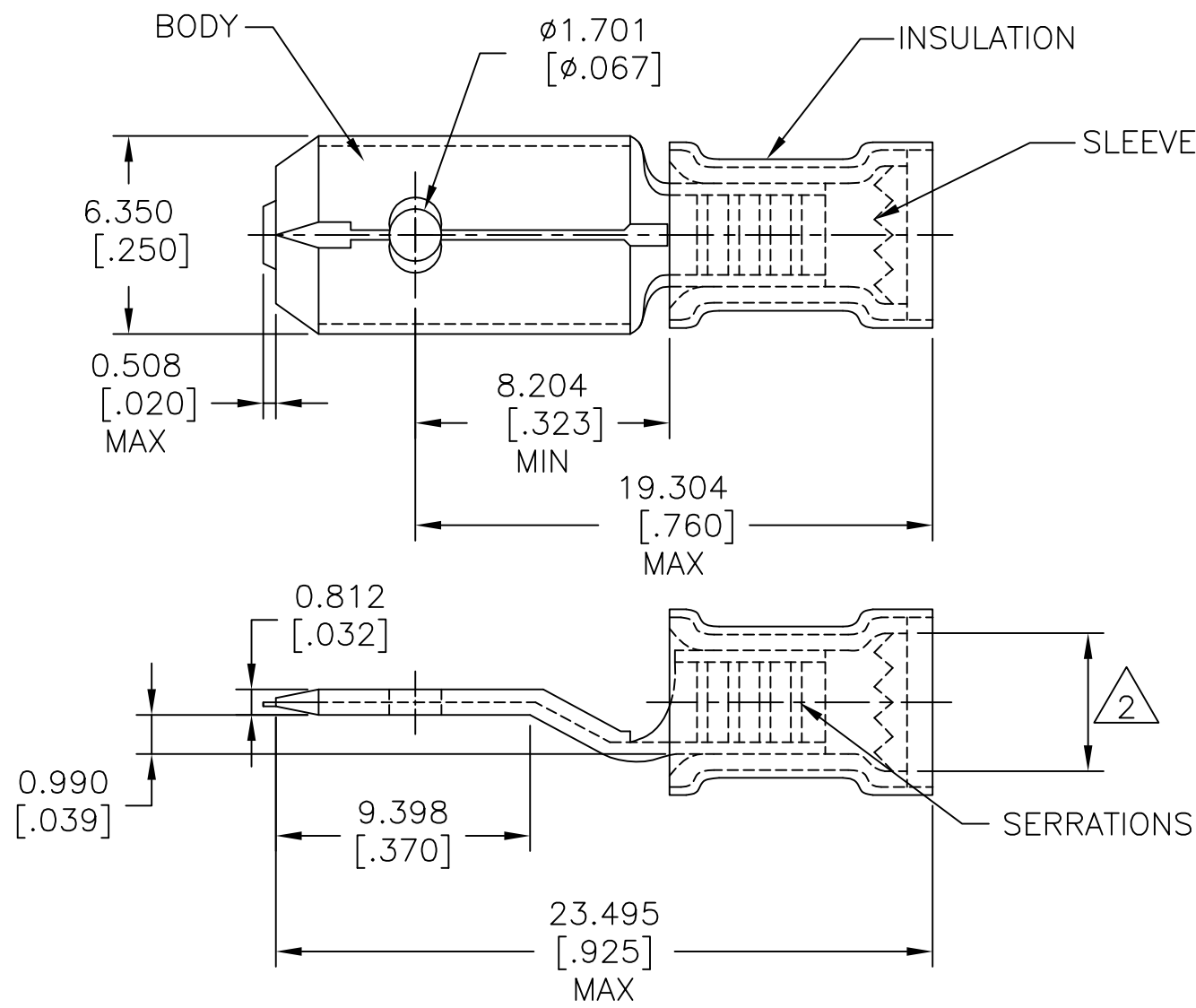


REVISIONS					
P	LTR	DESCRIPTION	DATE	DWN	APVD
	D3	REVISED PER ECO-17-006293	06MAY2017	RS	DR



1 NOTE DELETED
 2 FOR MAX INSULATION Ø3.987[Ø.157]

1000	LOOSE PIECE	140971-2
QTY.	PACKAGE TYPE	PART NUMBER

AMP INCORPORATED
 CUSTOMER SERVICE SYSTEMS

THIS DRAWING IS A CONTROLLED DOCUMENT.

DWN	RAVI S	09MAY2017
CHK	ROHDE DANIEL F	09MAY2017
APVD	ROHDE DANIEL F	09MAY2017
PRODUCT SPEC	-	
APPLICATION SPEC	114-2157	
WEIGHT	-	
CUSTOMER DRAWING		



NAME				PIDG FASTON TAB 6.35[.250]SERIES			
SIZE	CAGE CODE	DRAWING NO	RESTRICTED TO				
A3	00779	C=140971	-				
SCALE		SHEET		REV			
1:1		1 OF 1		D3			

FOR ADDITIONAL PRODUCT INFORMATION OR COPIES OF DRAWINGS AND TECHNICAL DOCUMENTS	PRODUCT INFORMATION CENTER 1-800-522-6752	MAX RECOMMENDED OPERATING TEMPERATURE: 105°C [221°F]
FOR APPLICATION TOOLING INFORMATION	TOOLING ASSISTANCE CENTER 1-800-722-1111	
FOR ORDER ENTRY	1-800-526-5142	VOLTAGE: 300 V MAX
		CMA: 1.3-2.6mm²[2565-5131]

DIMENSIONS: mm [INCHES]	TOLERANCES UNLESS OTHERWISE SPECIFIED:
	0 PLC ± -
	1 PLC ± -
	2 PLC ± -
	3 PLC ± 0.127[.005]
	4 PLC ± -
	ANGLES ± -
MATERIAL	FINISH
BODY: BRASS	BODY & SLEEVE: TIN
INSULATION: NYLON	INSULATION: BLUE
SLEEVE: COPPER	

单击下面可查看定价，库存，交付和生命周期等信息

[>>TE Connectivity\(泰科\)](#)