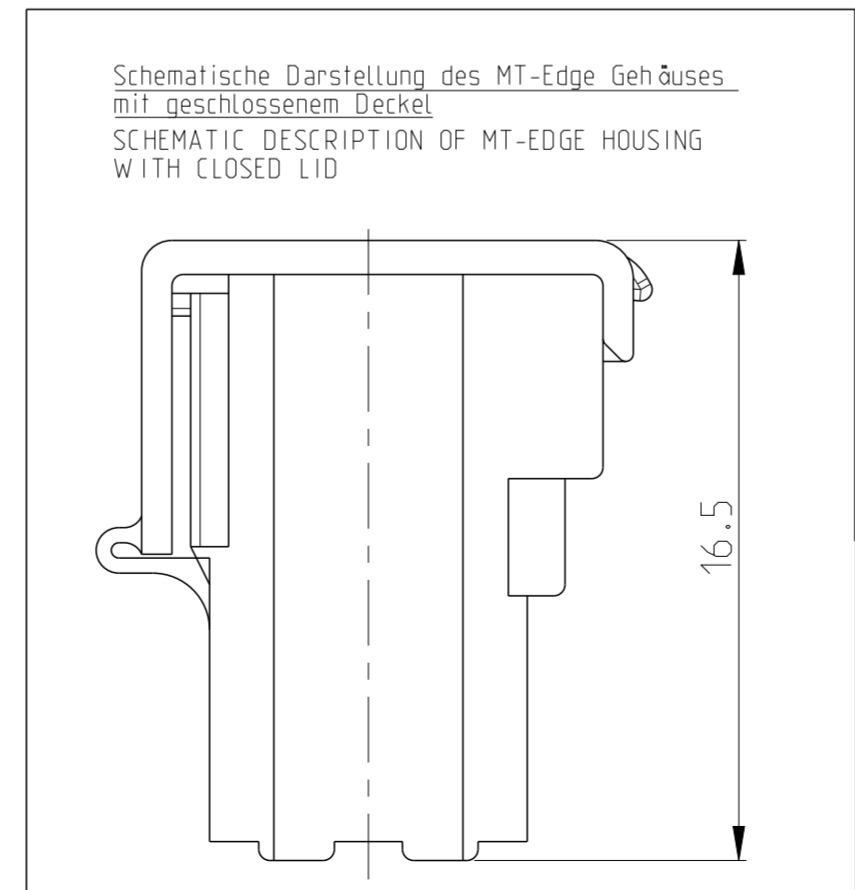
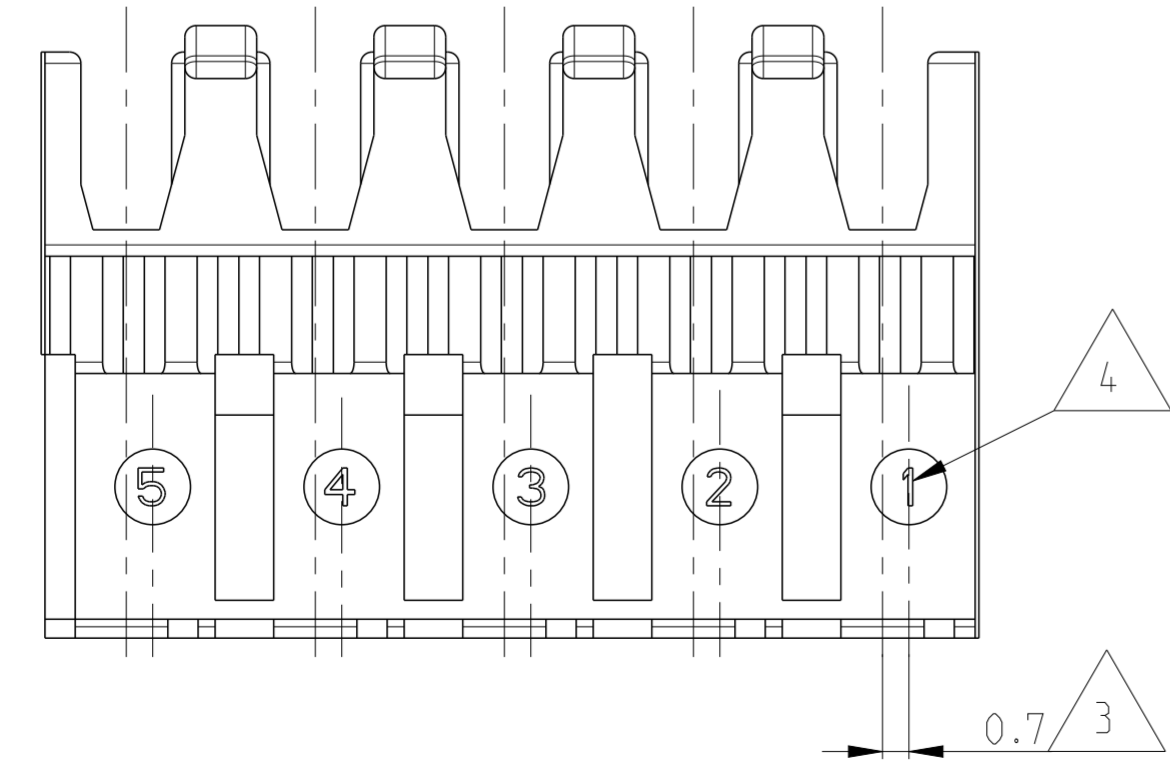
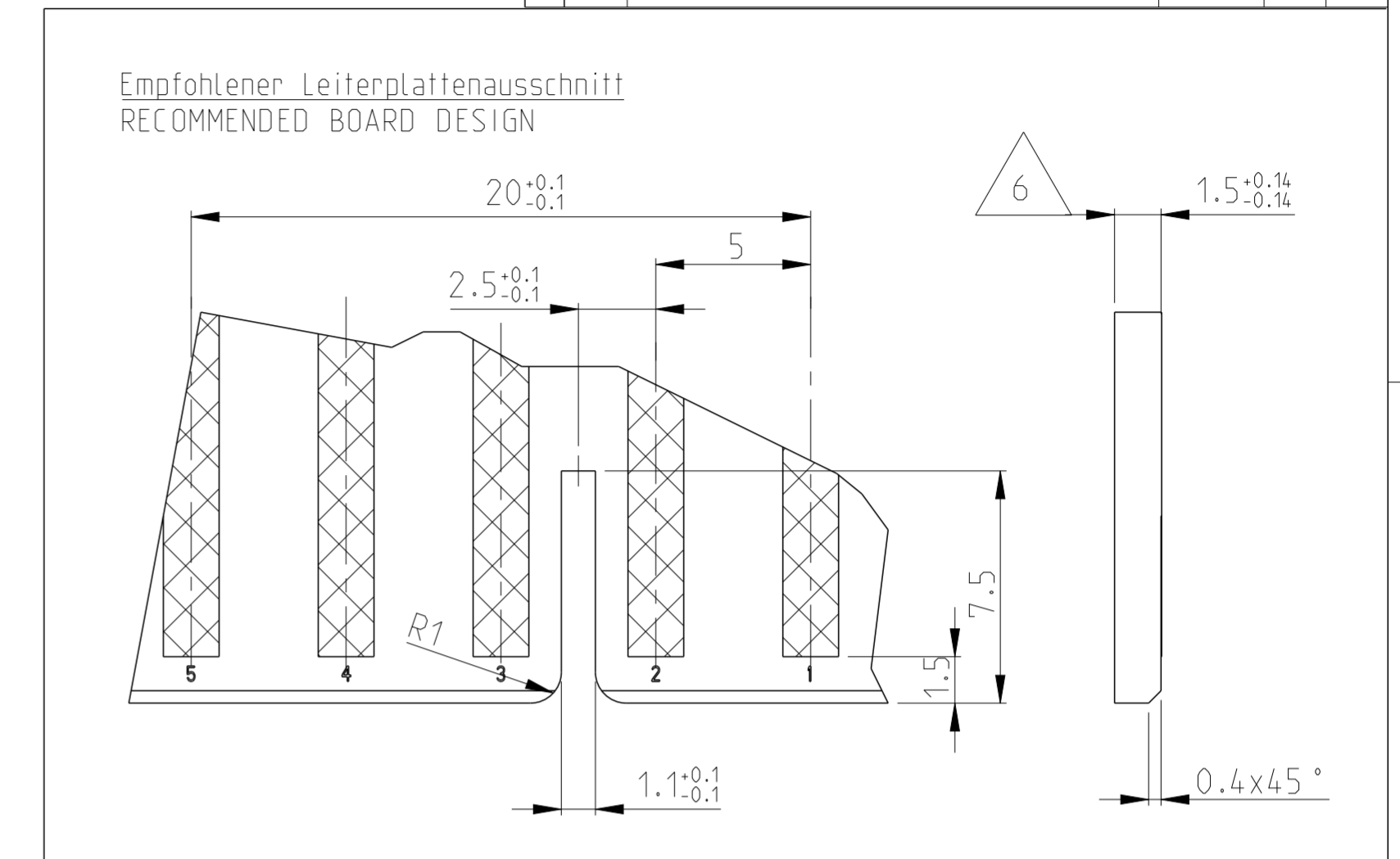
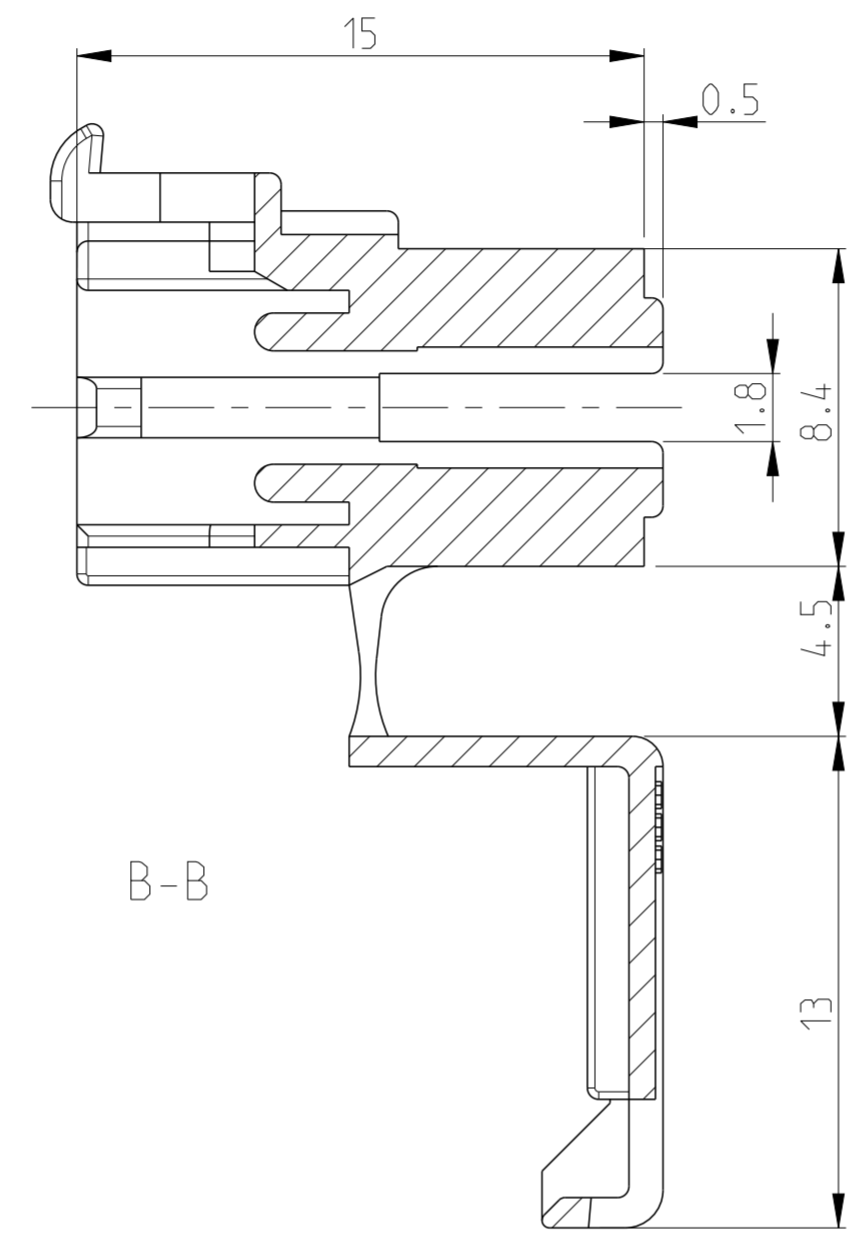
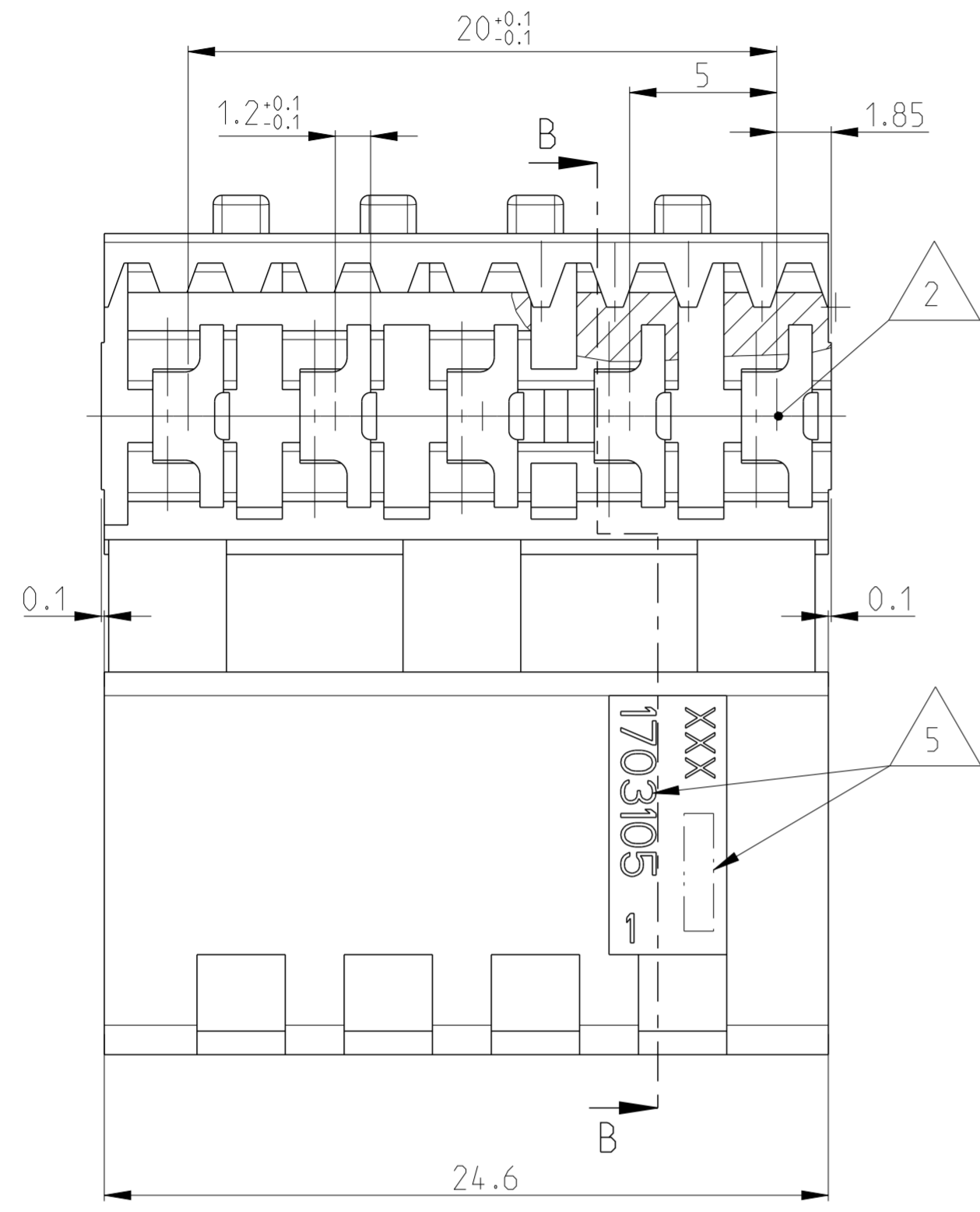


LOC		DIST		REVISIONS			
P	LTR	DESCRIPTION	DATE	DWN	APVD		
A	-	NEW DRAWING PUBLISHED	24SEP2004	MAH.	STRE.		
B	-	ECR-10-006081	22MAR2010	DMK	RRP		
B1	-	ECR-13-010494	08JUL2013	MKD	RRP		



Bemerkungen
NOTES

- 1 Massgebend ist der deutsche Text
ONLY THE GERMAN-LANGUAGE VERSION SHALL BE BINDING
- 2 Lage des Kontaktpunktes auf der Leiterplatte; Abweichung ±0.4
POSITION OF CONTACT POINT ON BOARD; DEVIATION ±0.4
- 3 Kontaktierung zur Drahtmitte um 0.7mm versetzt
CONTACTING 0.7mm DISPLACED TO WIRE CENTRELINE
- 4 Kontaktkammer-Nr.
CONTACT CAVITY #
- 5 Firmenlogo und Leergehäuse-Nr.
ARTWORK LOGO AND HOUSING # (NON LOADED)
- 6 Ausführung nach DIN 60249-2-4
BOARD DESIGN ACCORDING TO DIN 60249-2-4
- 7 Crimp Kontakt-Nr.
Material: CuSn4 926770-1; 926917-1
CRIMP CONTACT #
MATERIAL: CuSn4

1703105-1	MT-EDGE HOUSING	NATURE
PART-NO.:	DESCRIPTION	COLOUR

THIS DRAWING IS A CONTROLLED DOCUMENT.		DWN MAHNKE, B. 24SEP2004	TE Connectivity 5 POS. MT-EDGE HOUSING RAST 5mm	
DIMENSIONS: mm		CHK STREDAK, F. 20DEC2004		
TOLERANCES UNLESS OTHERWISE SPECIFIED:		APVD BLEICHER, M. 21DEC2004	NAME	
0 PLC ±	±0.15mm	PRODUCT SPEC	108-18003	
1 PLC ±	±	APPLICATION SPEC	114-18002	
2 PLC ±	±	WEIGHT	2.419 g	
3 PLC ±	±	MATERIAL PA6.6 / UL94V-2		
4 PLC ±	±	CUSTOMER DRAWING		
ANGLES	±°	SIZE	A2	SCALE 5:1
FINISH		CAGE CODE	C-1703105	SHEET 1 OF 1
RESTRICTED TO			REV B1	

单击下面可查看定价，库存，交付和生命周期等信息

[>>TE Connectivity\(泰科\)](#)