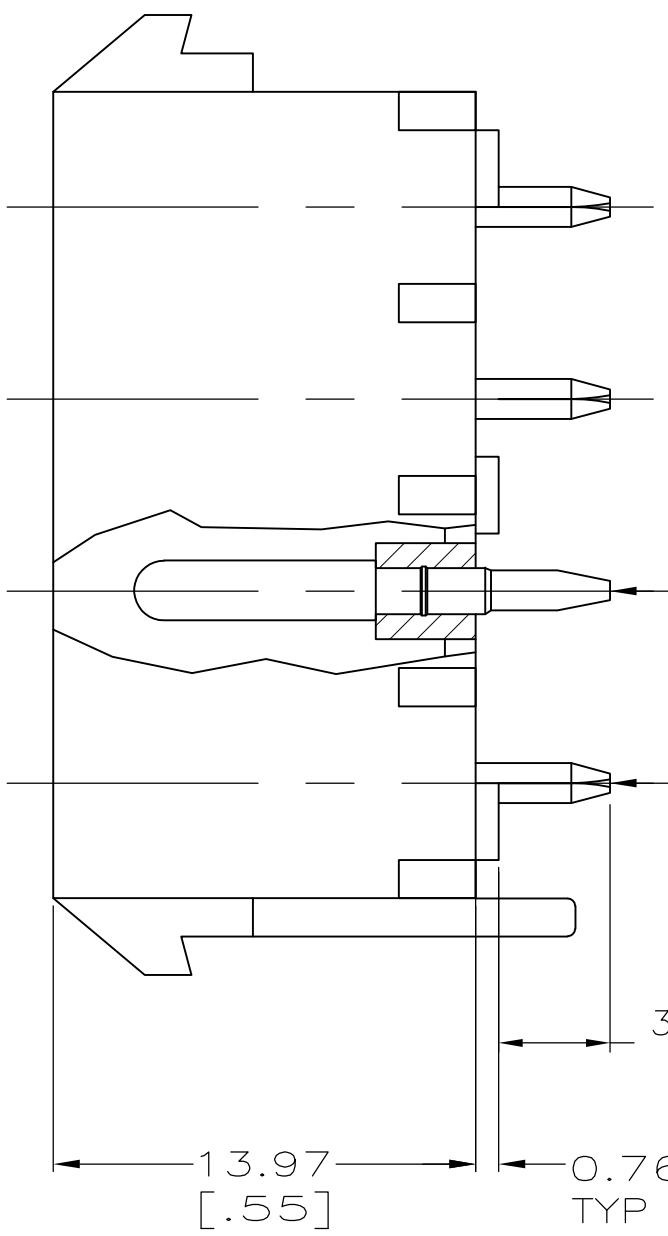
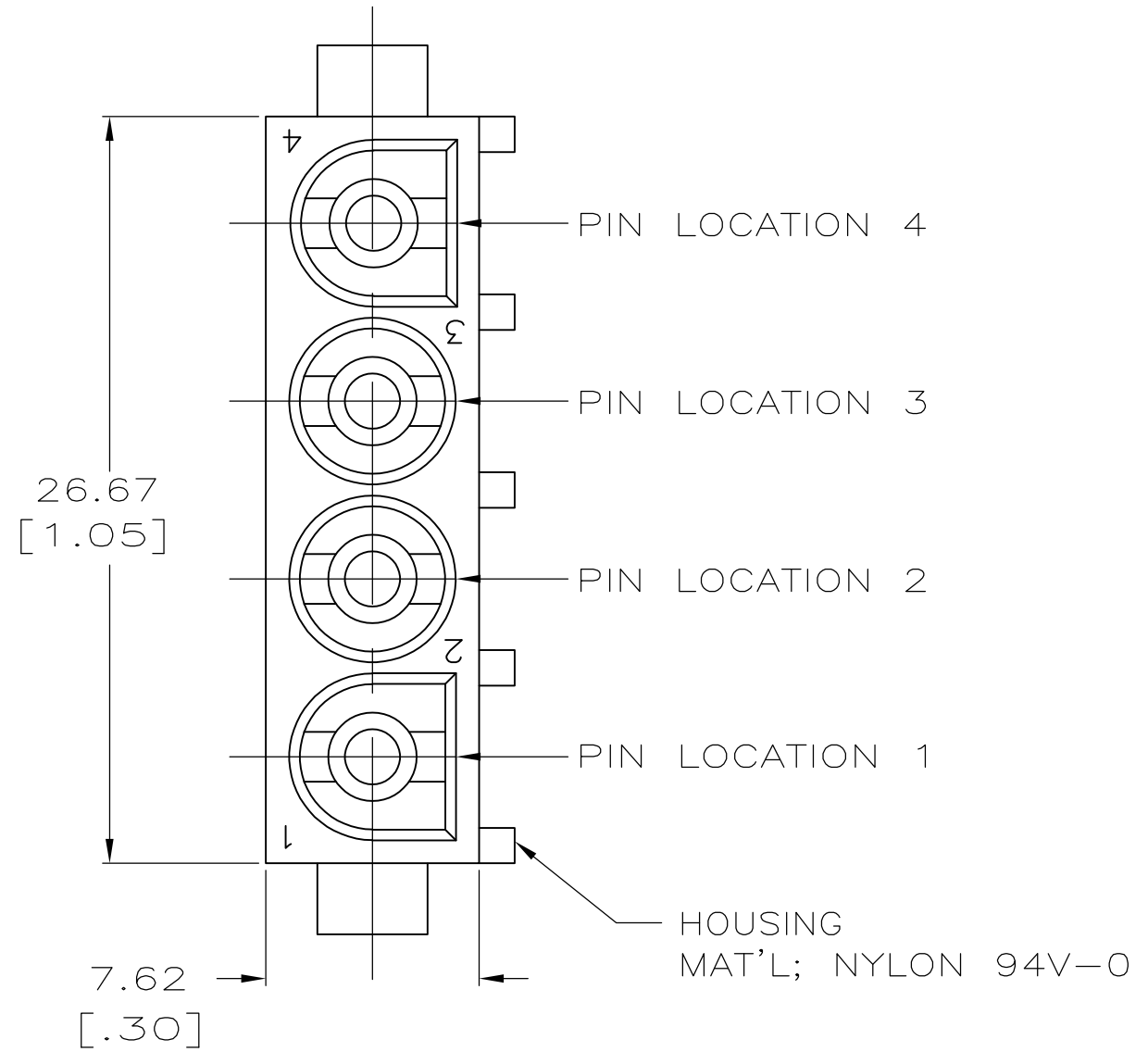
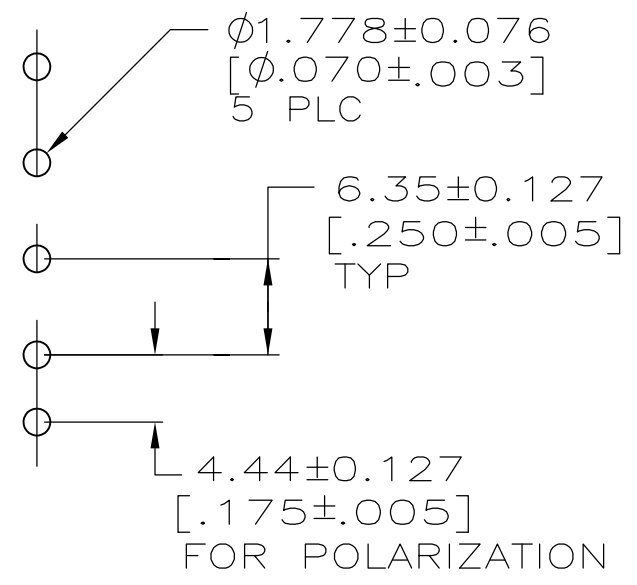


THIS DRAWING IS UNPUBLISHED. RELEASED FOR PUBLICATION  
 © COPYRIGHT BY TYCO ELECTRONICS CORPORATION. ALL RIGHTS RESERVED.

LOC	DIST	REVISIONS					
FT	0	P	LTR	DESCRIPTION	DATE	DWN	APVD
		D1		REVISED PER ECO-06-21510	9/11/06	SS	GS
		D2		REVISED PER ECO-09-024717	05NOV09	KK	AEG



- MATES WITH MATE-N-LOK II PLUG CONNECTOR USING P/N 193797-1 OR 193842-1 SOCKET CONTACT(S) FOR THE HIGH CURRENT PIN(S).
  - ALL DIMENSIONS ARE REFERENCE ONLY EXCEPT P.C. LAYOUT.
- 3 BLUE HOUSING.  
 4 OBSOLETE PARTS: OBSOLETE CIS STREAMLINING PER D.RENAUD/D.SINISI



RECOMMENDED LAYOUT FOR  
 1.57 [.062] THK P.C. BOARD

194096-2 SHOWN

OBSOLETE	4	S	S	S	PIN LOCATION 4
	3	S	S	S	PIN LOCATION 3
		H	H	H	PIN LOCATION 2
		H	S	S	PIN LOCATION 1
		-5	-3	-2	

THIS DRAWING IS A CONTROLLED DOCUMENT.		DWN	R N POLK	29/JUN/95	Tyco Electronics Corporation Harrisburg, PA 17105-3608	
DIMENSIONS: mm [INCHES]		CHK	-	-	NAME PARTIAL HIGH CURRENT VERT. PIN HEADER ASSY SELECTIVE LOAD, MATE-N-LOK II, 4 CIRCUIT	
TOLERANCES UNLESS OTHERWISE SPECIFIED:		APVD	-	-	PRODUCT SPEC	
0 PLC ± -		PRODUCT SPEC	-	-	APPLICATION SPEC	
1 PLC ± -		APPLIC. SPEC	-	-	SIZE	CAGE CODE
2 PLC ± -		APPLIC. SPEC	-	-	A3	00779
3 PLC ± -		APPLIC. SPEC	-	-	DRAWING NO	C-194096
4 PLC ± -		APPLIC. SPEC	-	-	RESTRICTED TO	-
ANGLES ± -		APPLIC. SPEC	-	-	SCALE	SHEET
FINISH		APPLIC. SPEC	-	-	NONE	1 OF 1
MATERIAL		WEIGHT	-	-	REV	D2
-		CUSTOMER DRAWING				

单击下面可查看定价，库存，交付和生命周期等信息

[>>TE Connectivity\(泰科\)](#)