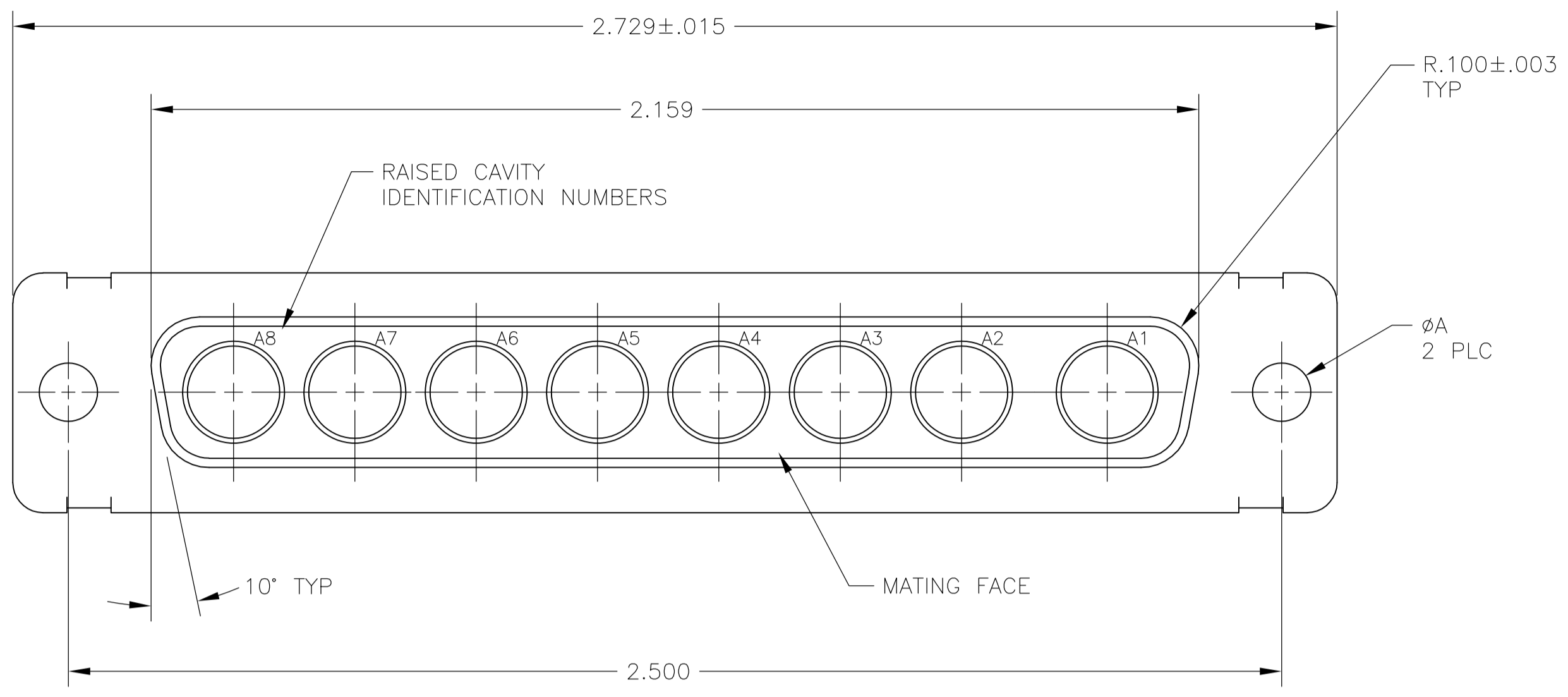
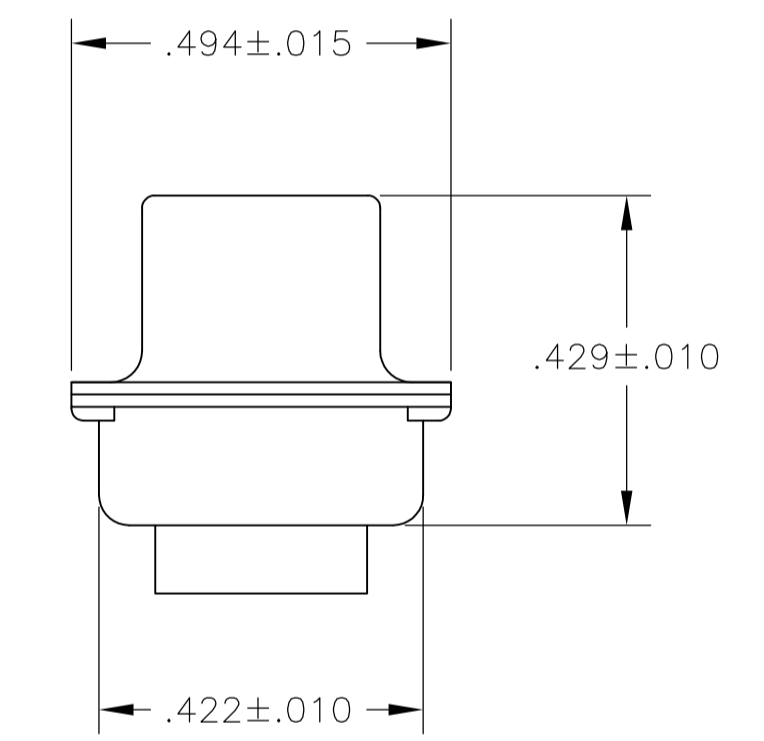
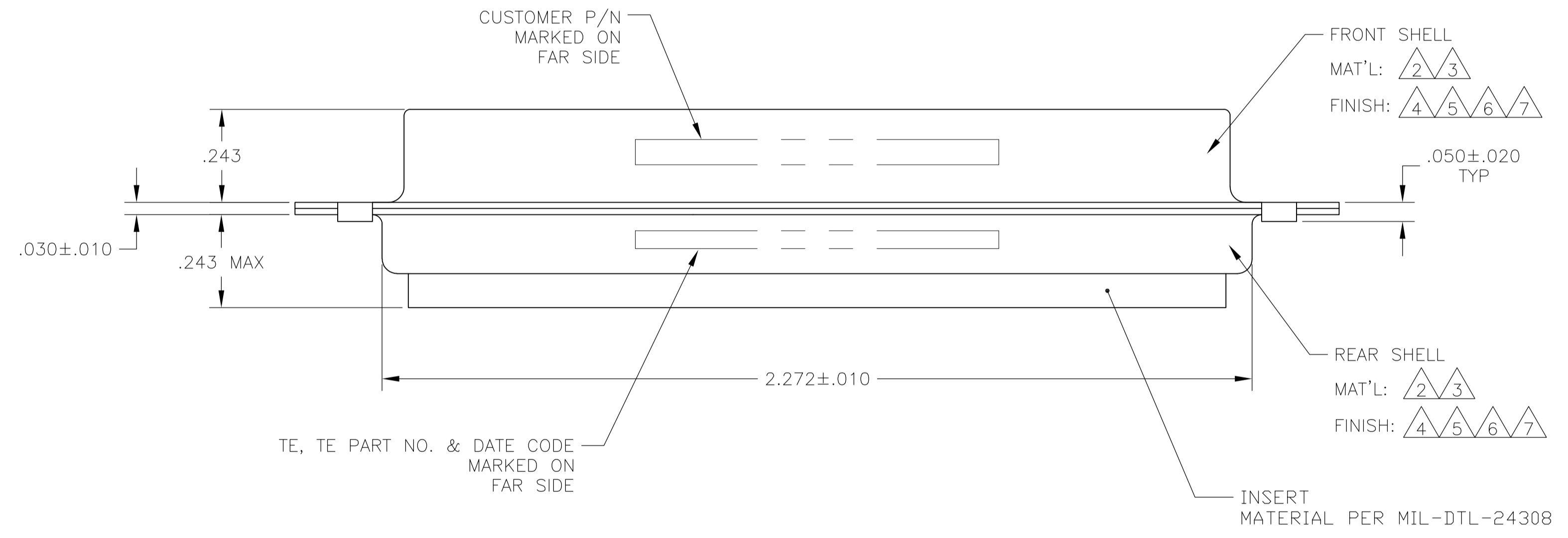


REVISONS		DATE	DNW	APVD
LOC	DIST	DESCRIPTION		
T	REV PER ECO-15-016251		13NOV15	KG CD



- THIS CONNECTOR ACCEPTS (8) POWER 8, OR COAX SOCKET CONTACTS IN POSITIONS A1 THRU A8, PURCHASED SEPARATELY.
- STEEL PER ASTM-A-109.
- BRASS PER MIL-C-50 AND ASTM-B-36 UNS NO. C26000.
- FINISH: CADMIUM PLATED PER QQ-P-416.
- GOLD PLATED PER ASTM-B-488 TYPE 3, CODE C, CLASS 1.25 OVER COPPER PER MIL-C-14550, CLASS IV.
- FINISH: TIN PER ASTM-B-545 .000400 MIN THK OVER COPPER PER AMS2418 .000050 MIN THK.
- FINISH: ZINC PLATED PER ASTM-B-633 .000200-.000400 THK WITH SUPPLEMENTARY CHROMATE (Cr3+).



PRELIMINARY- NOT RELEASED FOR PRODUCTION

REMARKS	ØA	CUSTOMER PART NO.	PART NO.
2 6	.120	-	5-445730-5
2 7	.120	-	5-445730-1
2 4	.120	13508255	445730-8
3 5	.120	ST81D284-002	445730-7
3 5	.120	B010942-0042	445730-6
2 6	.120	-	445730-5
3 5	.154	311P405-15S-B-15	445730-4
3 5	.120	311P405-15S-B-12	445730-3
2 4	.120	2037AS246-01,00779,3003	445730-2
2 4	.120	-	445730-1

THIS DRAWING IS A CONTROLLED DOCUMENT. **STE** TE Connectivity

APPROVED: T. SHUEY 29-NOV-88
 CHK: A. EMADI 01-DEC-88
 NAME: RECEPTACLE ASSEMBLY AMPLIMITE 8C8 SIZE 4, SERIES 109, COAX

DIMENSIONS: INCHES. TOLERANCES UNLESS OTHERWISE SPECIFIED:
 0 PLC ± -
 1 PLC ± -
 2 PLC ± -
 3 PLC ± .005
 4 PLC ± -
 ANGLES ± 0° 30'

MATERIAL: FINISH: WEIGHT: SCALE: 4:1 SHEET 1 OF 1 REV T

CUSTOMER DRAWING: A1 00779 445730

单击下面可查看定价，库存，交付和生命周期等信息

[>>TE Connectivity\(泰科\)](#)