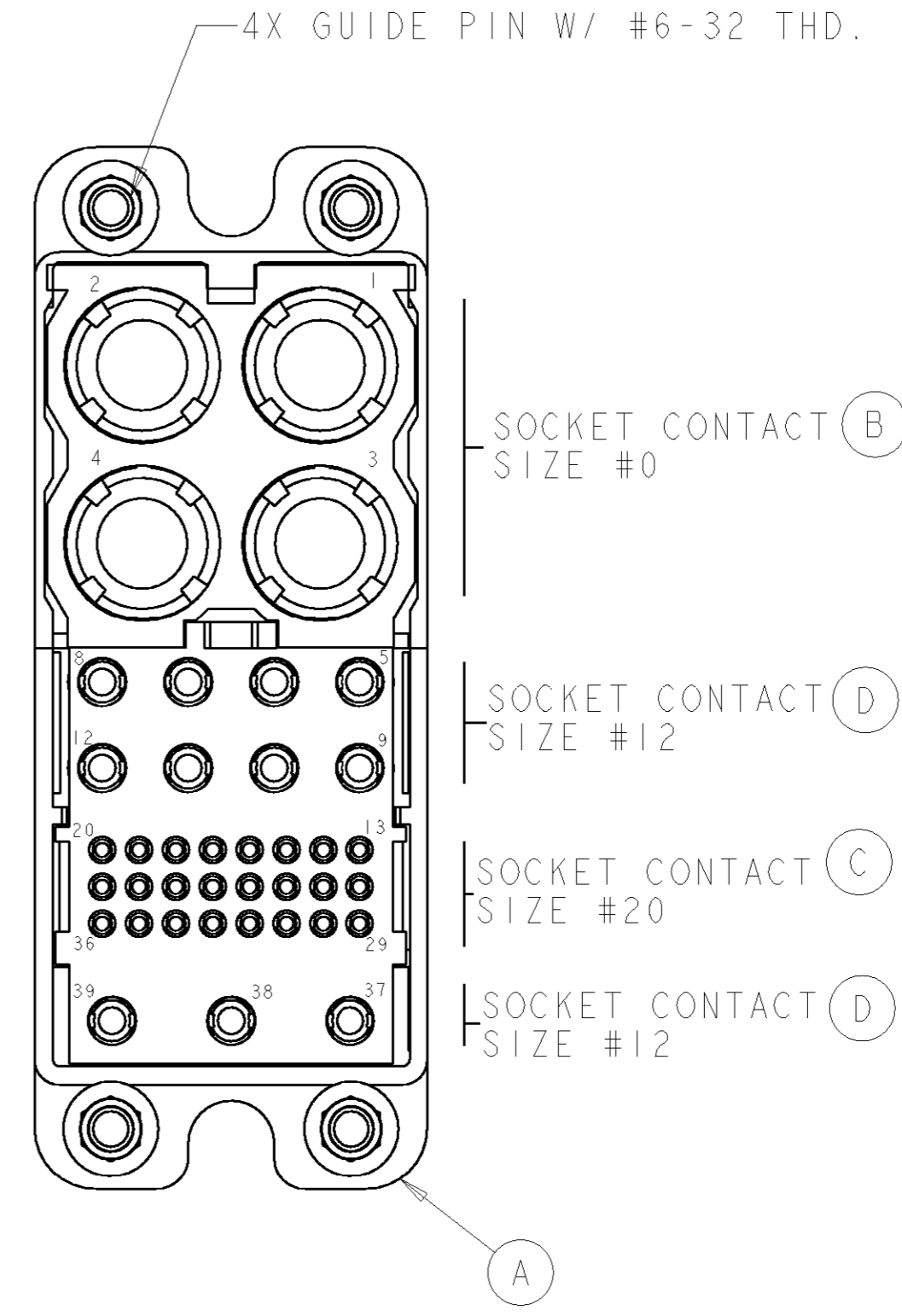
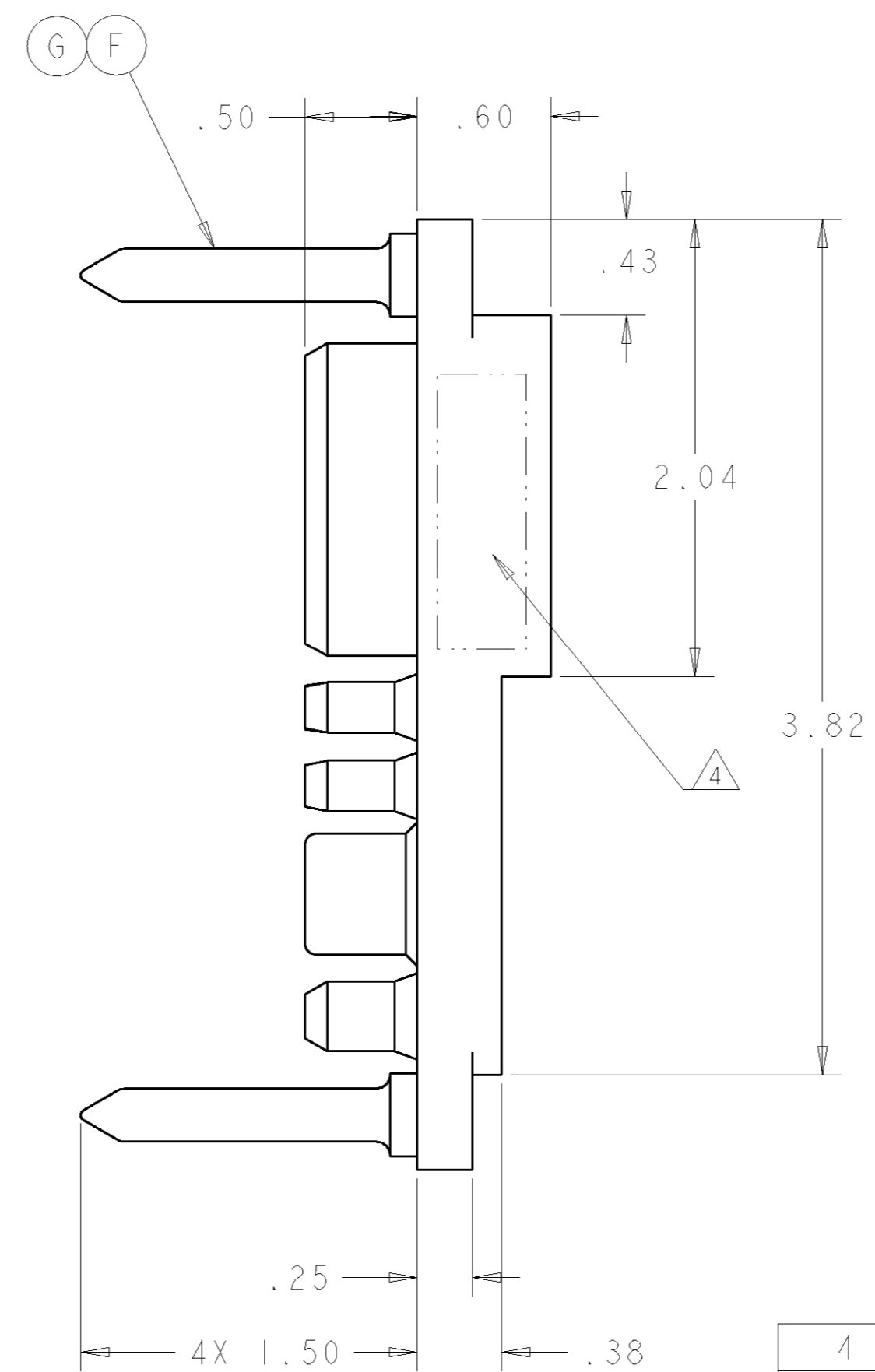
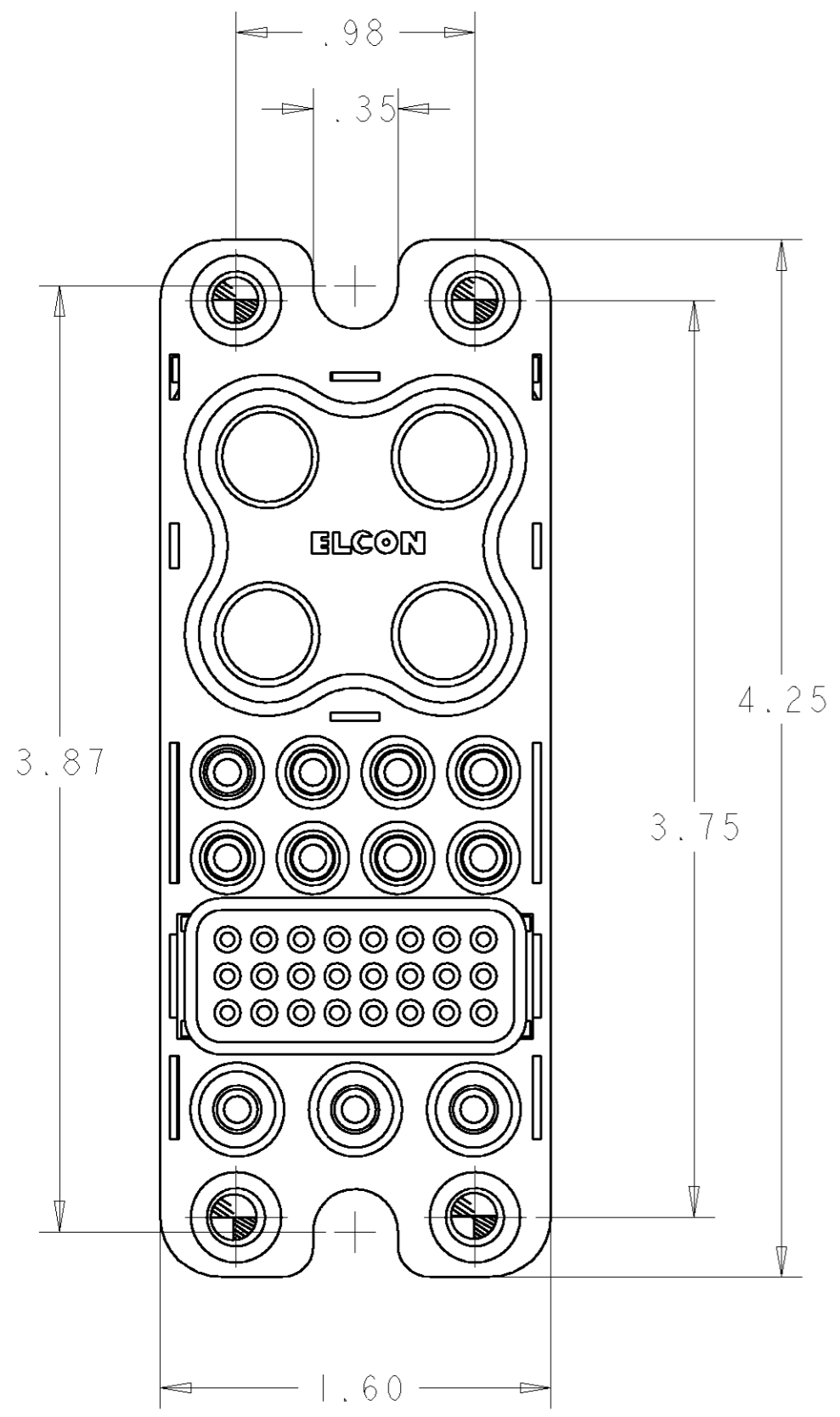


THIS DRAWING IS UNPUBLISHED. RELEASED FOR PUBLICATION 20
 © COPYRIGHT 20 BY TYCO ELECTRONICS CORPORATION. ALL RIGHTS RESERVED.

LOC	DIST	REVISIONS					
GP	00	P	LTR	DESCRIPTION	DATE	DWN	APVD
		A		NEW RELEASE	16APR2007	RG	DO



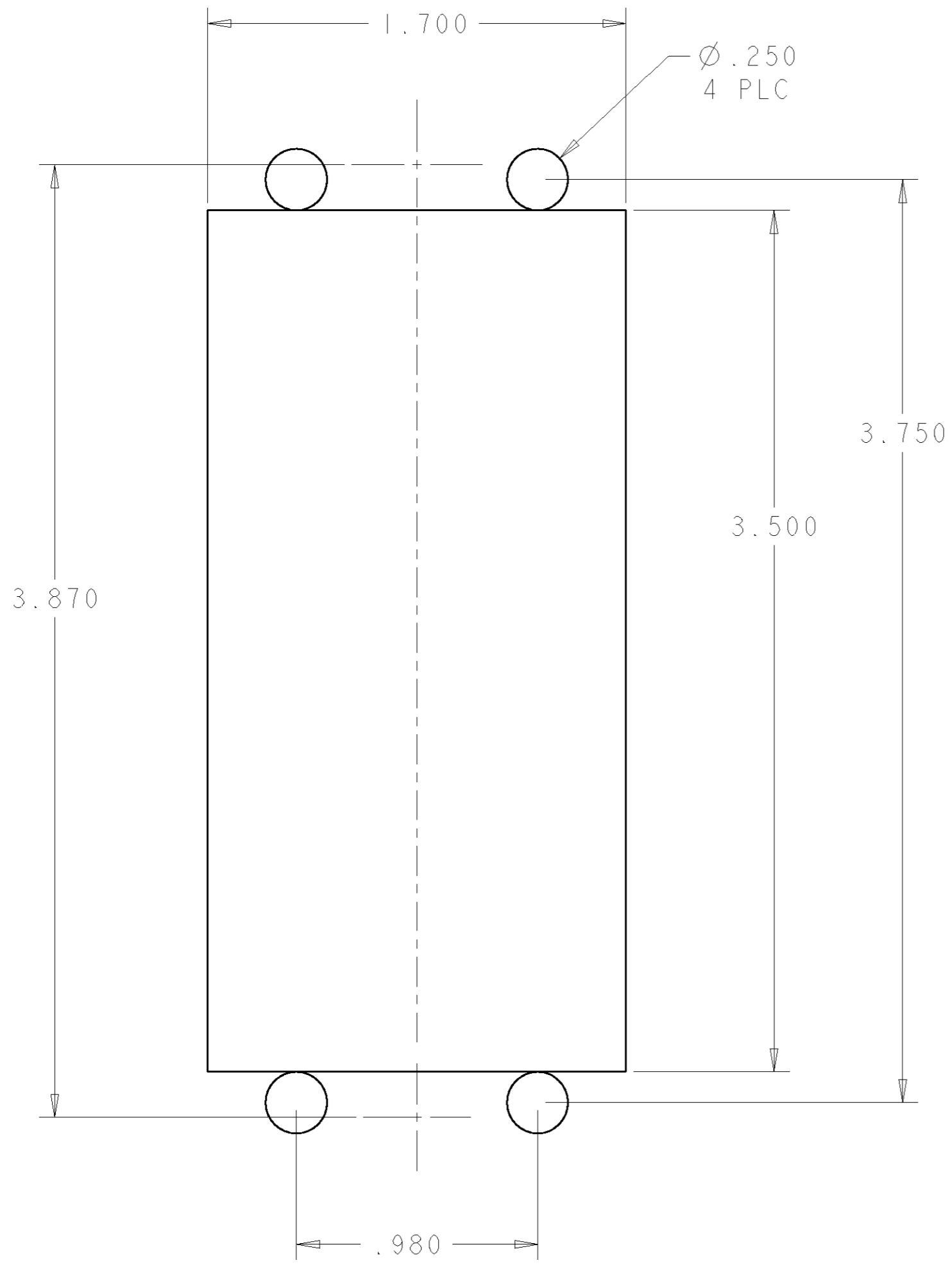
4	1650094-2	LOCKING COLLAR, 3/8 DIA.	G	
4	1650560-1	GUIDE PIN, 1/4 DIA., 6-32 INT. THD	F	
5	2	1650399-1	SCREW, NO. 10-32 UNC 2A	E
5	11	6648318-1	CONTACT, SOCKET, #12, CRIMP	D
5	10	1648325-1	CONTACT, SOCKET, #20, CRIMP	C
5	4	6648405-1	CONTACT, SOCKET, #0 CRIMP	B
1	1648578-2	CONNECTOR, SOCKET	A	
-1	PART NUMBER	DESCRIPTION	ITEM	

ELCON DRAWER

<small>THIS DRAWING IS A CONTROLLED DOCUMENT FOR TYCO ELECTRONICS CORPORATION. IT IS SUBJECT TO CHANGE AND THE CONTROLLING ENGINEERING ORGANIZATION SHOULD BE CONTACTED FOR THE LATEST REVISION.</small>		DWN R. GRZYBOWSKI 21MAR07 CHK D. ORRIS 21MAR07 APVD S. FLICKINGER 21MAR07	tyco Electronics Tyco Electronics Harrisburg, PA 17105-3608
DIMENSIONS: INCHES 		TOLERANCES UNLESS OTHERWISE SPECIFIED: 0 PLC ± 1 PLC ± 2 PLC ±.02 3 PLC ±.010 4 PLC ± ANGLES ±.5 FINISH	NAME DOUBLE DRAWER CONNECTOR SOCKET PRODUCT SPEC - APPLICATION SPEC - WEIGHT - CUSTOMER DRAWING
MATERIAL -		SIZE A2 CAGE CODE 00779 DRAWING NO. 1926460	RESTRICTED TO - SCALE 2:1 SHEET 1 OF 2 REV A

THIS DRAWING IS UNPUBLISHED. RELEASED FOR PUBLICATION 20
 © COPYRIGHT 20 BY TYCO ELECTRONICS CORPORATION. ALL RIGHTS RESERVED.

LOC	DIST	REVISIONS					
GP	00	P	LTR	DESCRIPTION	DATE	DWN	APVD
		-		SEE SHEET 1	-	-	-



- PART NUMBER CHANGES AND OR DESIGN CHANGES AFFECTING THE INTERCHANGEABILITY REQUIRE PRIOR TYCO APPROVAL AND AUTHORIZATION BY REVISION TO THIS DRAWING.
- MATERIAL:
 INSULATOR: THERMOPLASTIC, GLASS REINFORCED, UL 94V-0
 FLAMMABILITY RATED, COLOR: BLACK
 SOCKET CONTACT: COPPER ALLOY
 RETENTION CLIP: BERYLLIUM COPPER
 CROWN BAND: BERYLLIUM COPPER
 GUIDE PIN: STAINLESS STEEL
 FLOAT MOUNT SCREW: STAINLESS STEEL
- FINISH:
 SOCKET BODY SIZE #20: GOLD PLATE .000010 MIN. THK. OVER NICKEL
 .000040 MIN. THK.
 SOCKET BODY SIZE #12 & 0: SILVER PLATE .000200 MIN THK. OVER NICKEL .000040 MIN. THK.
 CROWN BAND: GOLD PLATE .000030 MIN THK. OVER NICKEL .000040 MIN. THK.

△ ITEMS PROVIDED TO THIS SPECIFICATION TO BE PERMANENTLY IDENTIFIED PER THE FOLLOWING IDENTIFIER:

TYCO PART NUMBER: XXXXXXXX-X
 DATE CODE (e.g. 0216): YEAR WEEK
 XXXX

△ CRIMP CONTACTS AND SCREWS (ITEM B, C, D & E) SHALL BE PACKAGED SEPARATELY AND PLACED IN THE BOX WITH THE CONN. ASSEMBLY.

SUGGESTED PANEL CUTOUT
 VIEWED FROM CONNECTOR MOUNTING SIDE

THIS DRAWING IS A CONTROLLED DOCUMENT FOR TYCO ELECTRONICS CORPORATION IT IS SUBJECT TO CHANGE AND THE CONTROLLING ENGINEERING ORGANIZATION SHOULD BE CONTACTED FOR THE LATEST REVISION.		DWN R. GRZYBOWSKI 21MAR07 CHK D. ORRIS 21MAR07 APVD S. FLICKINGER 21MAR07	tyco Tyco Electronics Harrisburg, PA 17105-3608
DIMENSIONS: INCHES	TOLERANCES UNLESS OTHERWISE SPECIFIED: 0 PLC ± 1 PLC ± 2 PLC ±.02 3 PLC ±.010 4 PLC ± ANGLES ±.5 FINISH	PRODUCT SPEC APPLICATION SPEC WEIGHT	NAME DOUBLE DRAWER CONNECTOR SOCKET SIZE CAGE CODE DRAWING NO RESTRICTED TO A200779 C-1926460 -
MATERIAL		CUSTOMER DRAWING	SCALE 2:1 SHEET 2 OF 2 REV A

单击下面可查看定价，库存，交付和生命周期等信息

[>>TE Connectivity\(泰科\)](#)