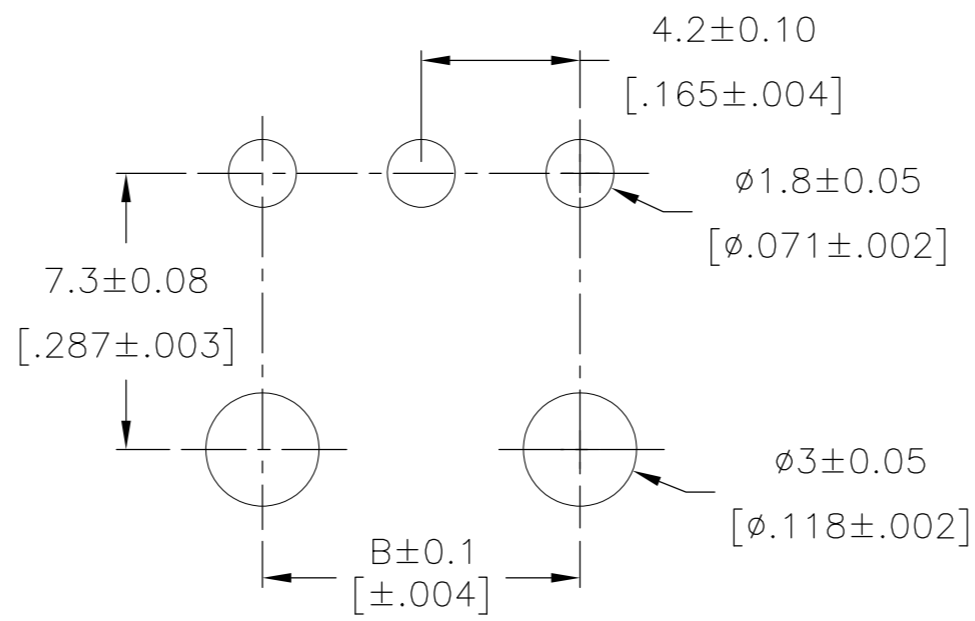
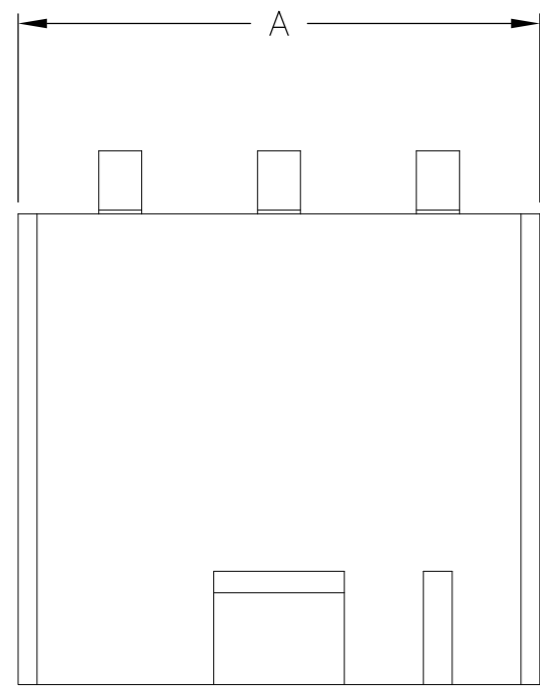


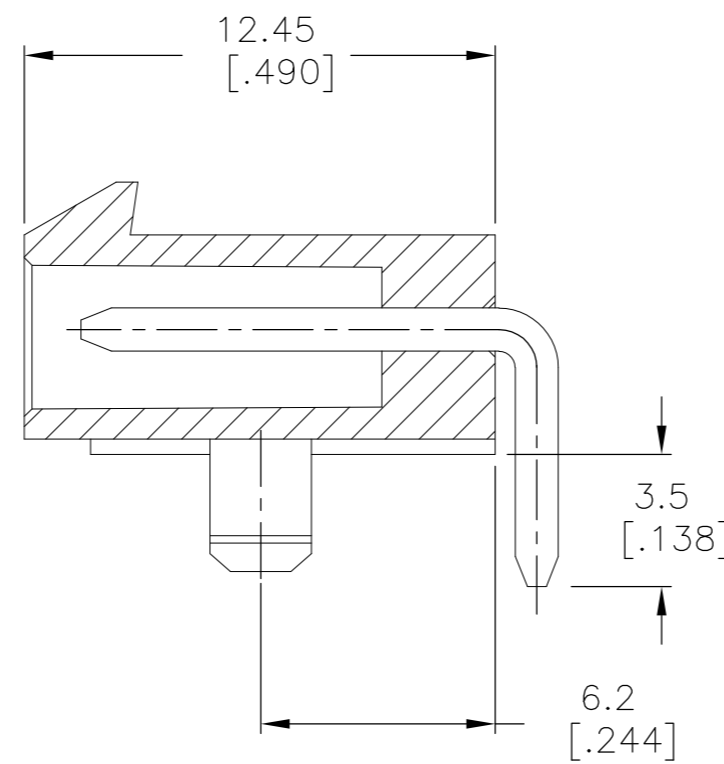
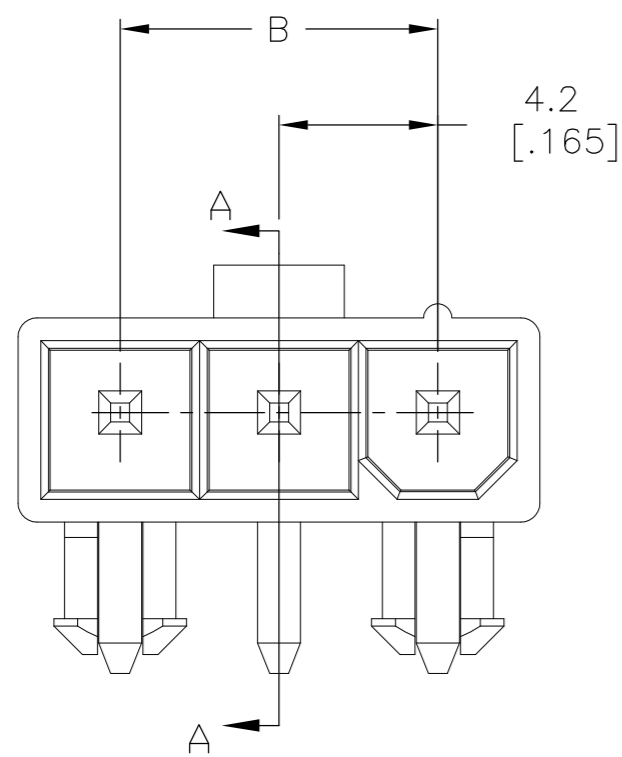
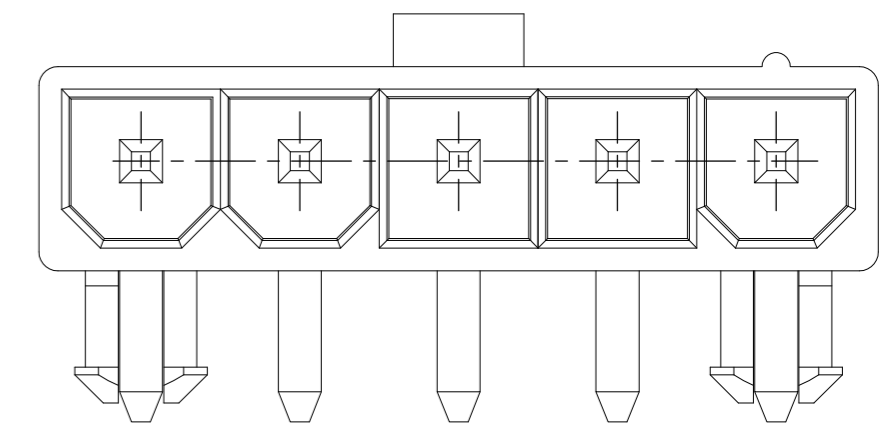
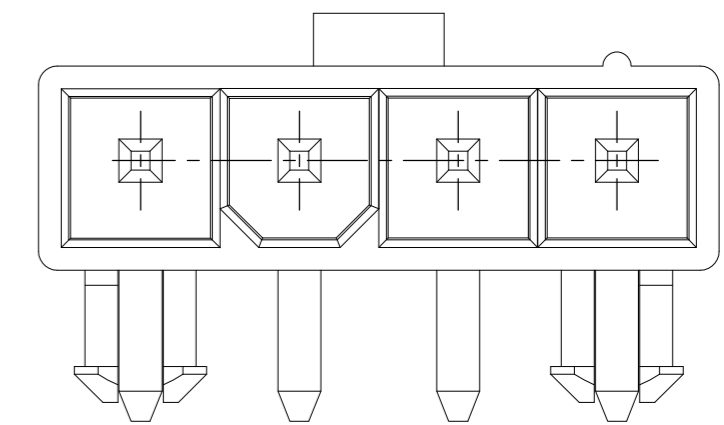
THIS DRAWING IS UNPUBLISHED. RELEASED FOR PUBLICATION
 © COPYRIGHT BY TYCO ELECTRONICS CORPORATION. ALL RIGHTS RESERVED.

LOC	DIST	REVISIONS			
P	LTR	DESCRIPTION	DATE	DWN	APVD
CM	00	A	RELEASED	16OCT2008	KW CC



RECOMMENDED MOUNTING HOLE PATTERN FOR 1.78 [0.070] MAX THK P.C. BOARD

1 MATERIAL: HOUSING: NYLON, UL94V-2
 CONTACTS: BRASS, TIN-PLATED



SECTION A-A

2029150-3 SHOWN

5	16.8 [.661]	22.2 [.874]	2029150-5
4	12.6 [.496]	18 [.709]	2029150-4
3	8.4 [.330]	13.8 [.543]	2029150-3
POS	B	A	PART NUMBER

THIS DRAWING IS A CONTROLLED DOCUMENT.		DWN	14OCT2008	 Tyco Electronics Corporation Harrisburg, PA 17105-3608
DIMENSIONS: mm [INCHES]		CHK	14OCT2008	
TOLERANCES UNLESS OTHERWISE SPECIFIED:		APVD	14OCT2008	
0 PLC ± 1 PLC ± 0.13 [.005] 2 PLC ± 0.13 [.005] 3 PLC ± - 4 PLC ± - ANGLES ± - FINISH ±		PRODUCT SPEC	NAME	
MATERIAL		APPLICATION SPEC		SIZE
1		WEIGHT		CAGE CODE
		CUSTOMER DRAWING		DRAWING NO
		SCALE 5:1		RESTRICTED TO
		SHEET 1 OF 1		REV A

METRIC

单击下面可查看定价，库存，交付和生命周期等信息

[>>TE Connectivity\(泰科\)](#)