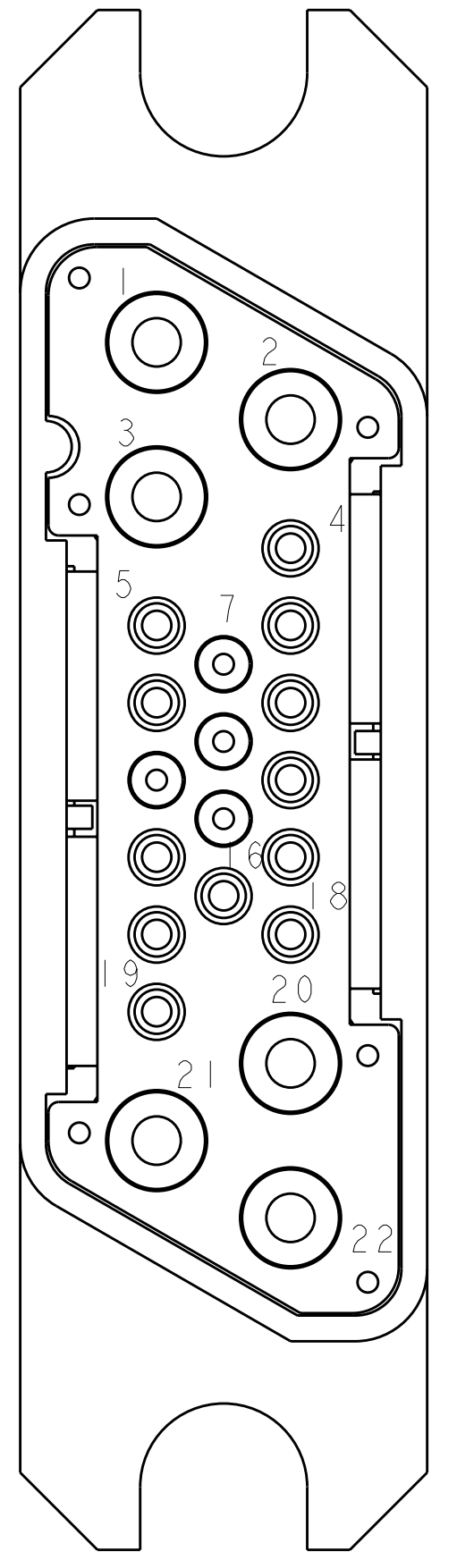
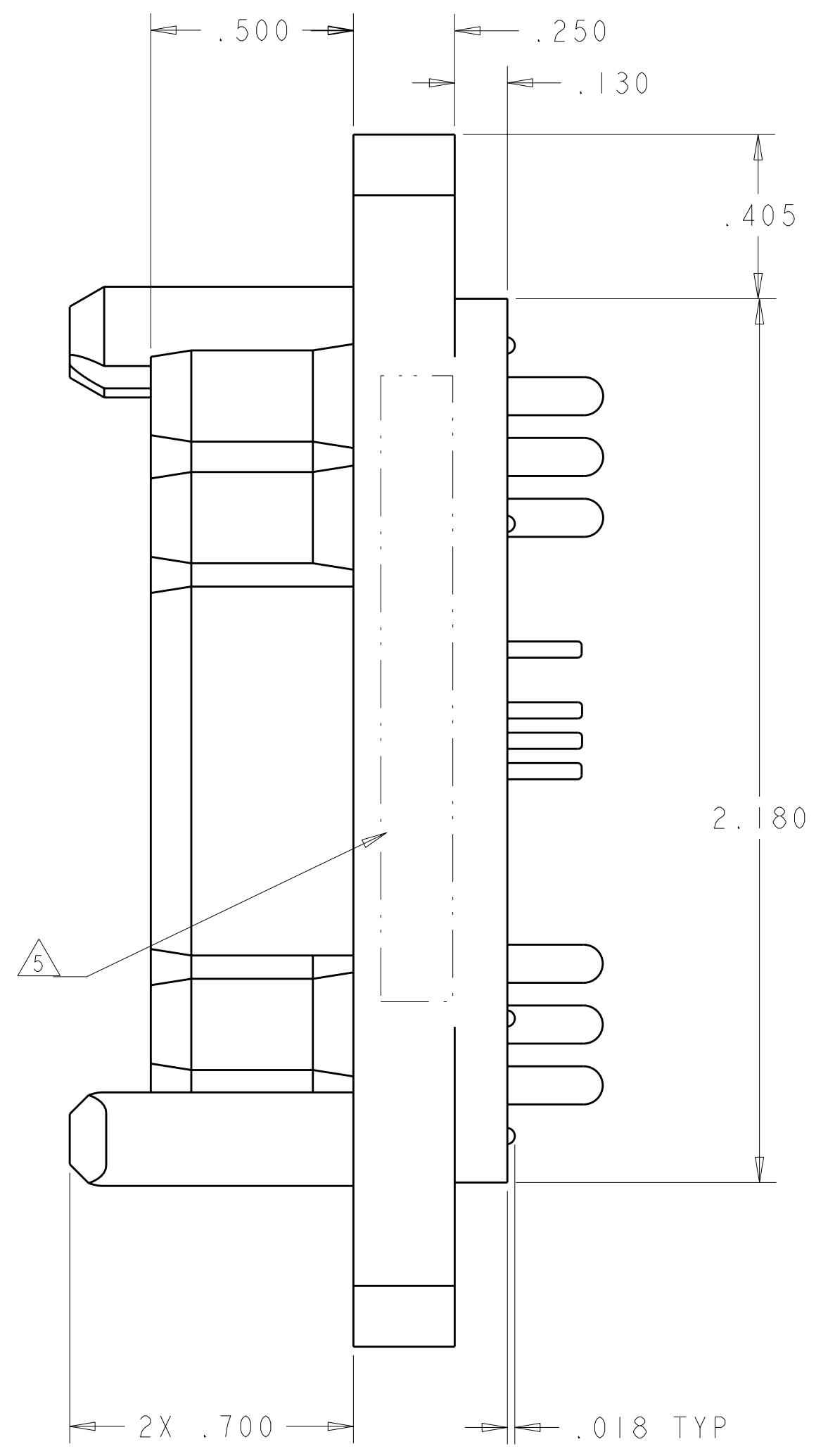
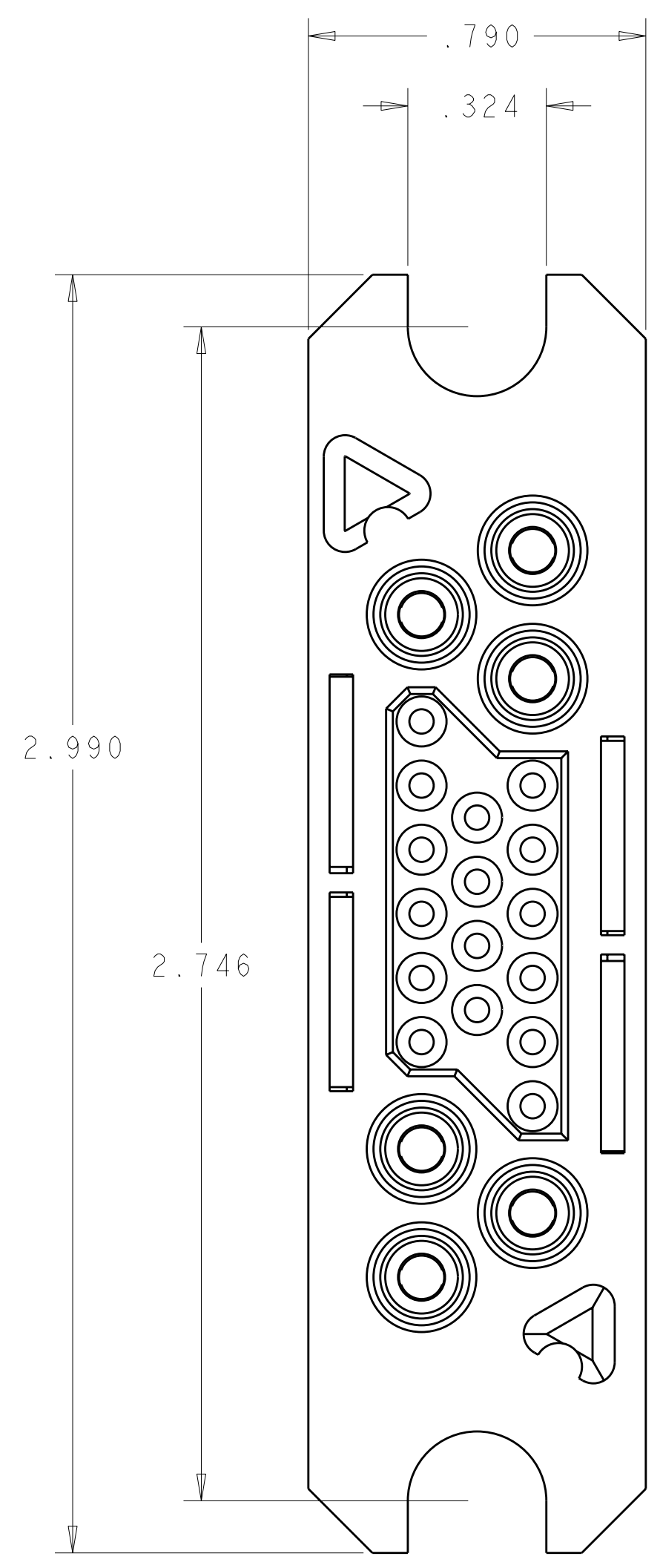
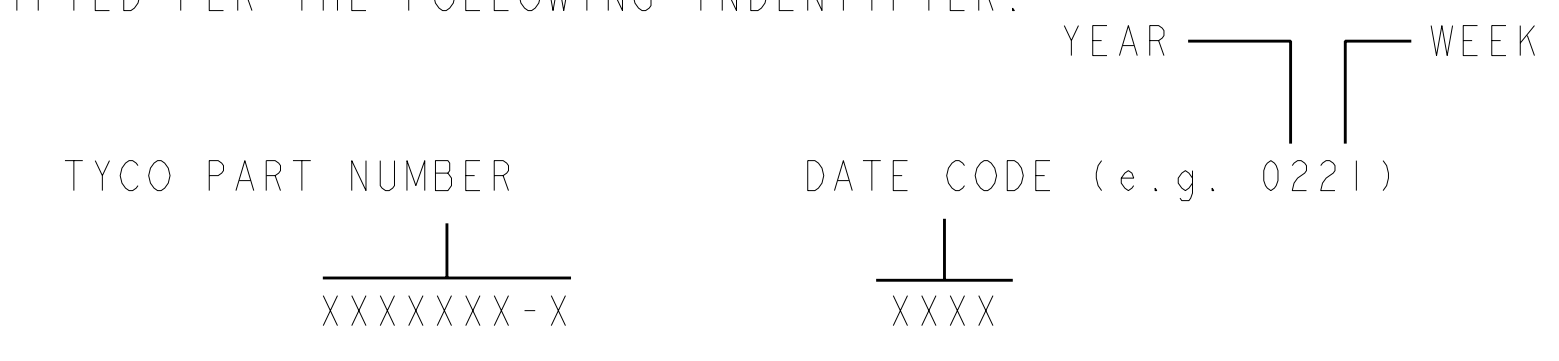


LOC	DIST	REVISIONS			
GP	00	REV	DATE	DWN	APVD
		B	REVISED PER ECO-06-026901	28NOV2006	GIP DO

- PART NUMBER CHANGES AND OR DESIGN CHANGES AFFECTING THE INTERCHANGEABILITY REQUIRE PRIOR TYCO APPROVAL AND AUTHORIZATION BY REVISION TO THIS DRAWING.
 - MATERIAL:
 INSULATOR: THERMOPLASTIC: GLASS REINFORCED, UL 94V-0
 FLAMMABILITY RATED, COLOR: BLACK
 CONTACT: BRASS ROD ALLOY
 CROWN BAND: BERYLLIUM COPPER
 RETENTION CLIP: BERYLLIUM COPPER
 - FINISH:
 CONTACTS SIZE #12: GOLD .000010 MIN THK OVER NICKEL .000040 MIN THK.
 CONTACTS: SIZE #20: GOLD .000010 MIN THK OVER NICKEL .000040 MIN THK.
 CROWN BAND: GOLD IN CONTACT AREA: .000030 MIN THK OVER NICKEL .000040 M9N THK.
- 4 PCB TAIL CONTACTS ARE INSERTABLE/ NON REMOVABLE
 5 ITEMS PROVIDED TO THIS SPECIFICATION TO BE PERMANENTLY IDENTIFIED PER THE FOLLOWING IDENTIFIER:



SOCKET CONTACT (C)
 SIZE #12
 POSN. #1 THRU 3

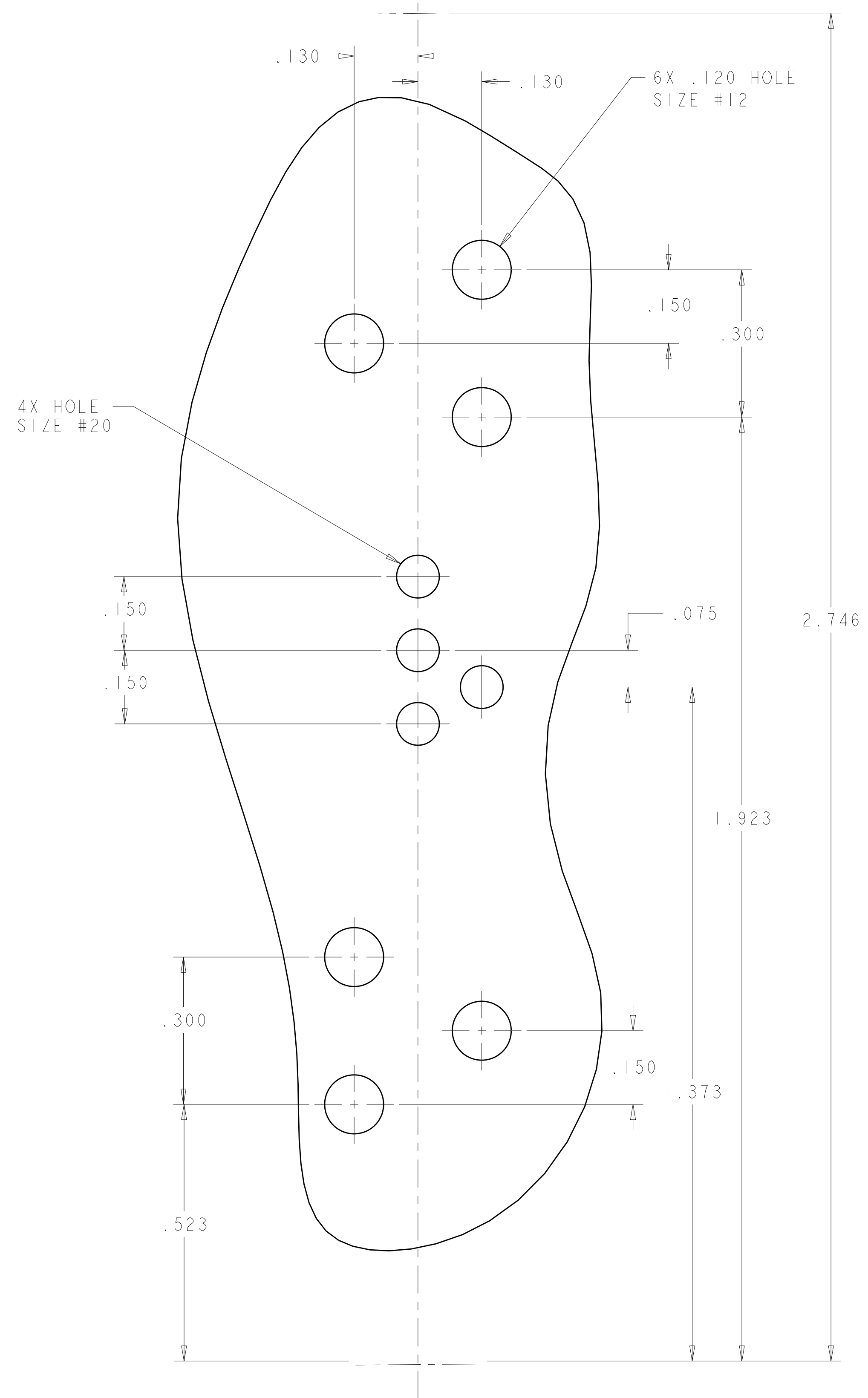
 SOCKET CONTACT (B)
 SIZE #20
 POSN. #7,10,11 & 13

 SOCKET CONTACT (C)
 SIZE #12
 POSN. #20 THRU 22

REAR VIEW

DIMENSIONS: INCHES TOLERANCES UNLESS OTHERWISE SPECIFIED: 9 PLC ±.01 1 PLC ±.02 5 PLC ±.010 4 PLC ±.0005 ANGLES ±.010		DWN: R. GRYZBOWSKI 22AUG2006 CHK: P. DAMATO 22AUG2006 APVD: S. FLICKINGER 23AUG2006		Tyco Electronics Harrisburg, PA 17105-3608	
MATERIAL: - FINISH: -		WEIGHT: - CUSTOMER DRAWING		NAME: CONNECTOR, ASSEMBLY, SOCKET WITH PCB TAILS SIZE: A100779 CAGE CODE: C-1766013 DRAWING NO: - RESTRICTED TO: -	
SCALE: 1:1		SHEET: 1 OF 2		REV: B	

LOC	DIST	REVISIONS			
GP	00	REV	DATE	BY	APPD
-	-	SEE SHEET 1	-	-	-



PRINTED CIRCUIT BOARD LAYOUT

HOLE SIZE #12
 FINISHED HOLE: $\varnothing .104 \pm .003$
 DRILLED HOLE: $\varnothing .106 \pm .0005$
 COPPER PLATE: .0010-.0020
 TIN PLATE: .0002 MIN THK.

HOLE SIZE #20
 FINISHED HOLE: $\varnothing .047 \pm .003$
 DRILLED HOLE: $\varnothing .0453 \pm .0005$
 COPPER PLATE: .0010-.0020
 TIN PLATE: .0002 MIN THK.

QTY	PART NUMBER	DESCRIPTION	ITEM
6	1648387-1	CONTACT, SOCKET, SIZE #12, PCB TAIL, HP	C
4	1648382-1	CONTACT, SOCKET, SIZE #20, PCB TAIL	B
1	1648115-2	HOUSING, SOCKET, PCB MOUNT, NO LABEL	A
-2	PART NUMBER	DESCRIPTION	ITEM

DIMENSIONS: INCHES 		TOLERANCES UNLESS OTHERWISE SPECIFIED: 9 PLC ±. 1 PLC ±. 2 PLC ±.02 3 PLC ±.010 4 PLC ±.0005 ANGLES ±.		DWN R. GRYZBOWSKI 22AUG2006 CHK P. DAMATO 22AUG2006 APVD S. FLICKINGER 22AUG2006		tyco Tyco Electronics Electronics Harrisburg, PA 17105-3608	
MATERIAL: - FINISH: -		WEIGHT: - CUSTOMER DRAWING		NAME: CONNECTOR, ASSEMBLY, SOCKET WITH PCB TAILS SIZE: A 00779 C=1766013 SCALE: 1:1 SHEET 2 OF 2 REV B		RESTRICTED TO: -	

单击下面可查看定价，库存，交付和生命周期等信息

[>>TE Connectivity\(泰科\)](#)