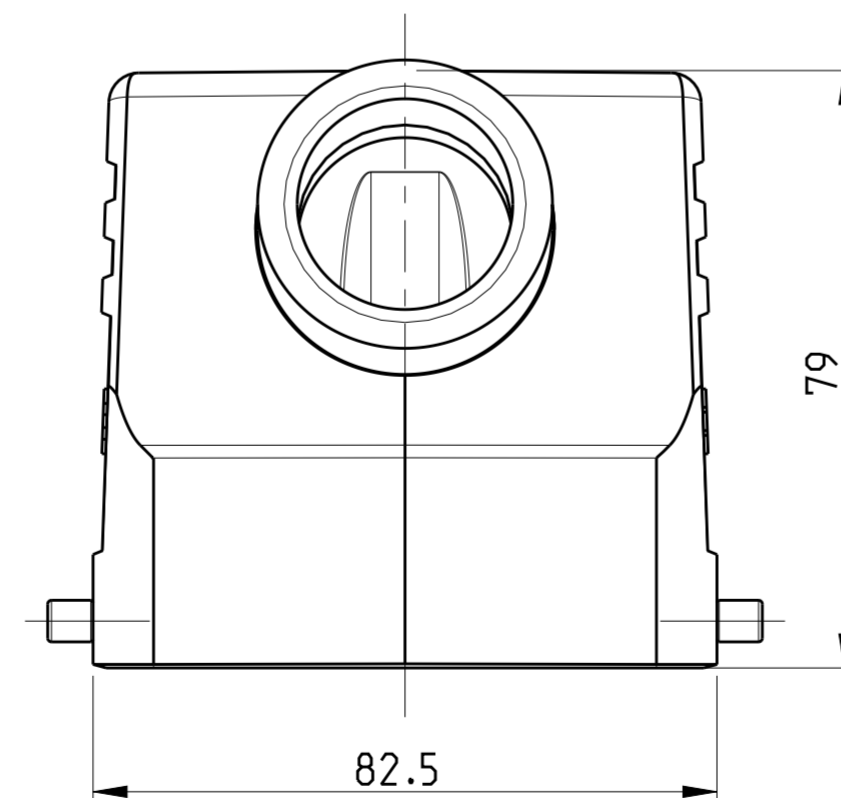
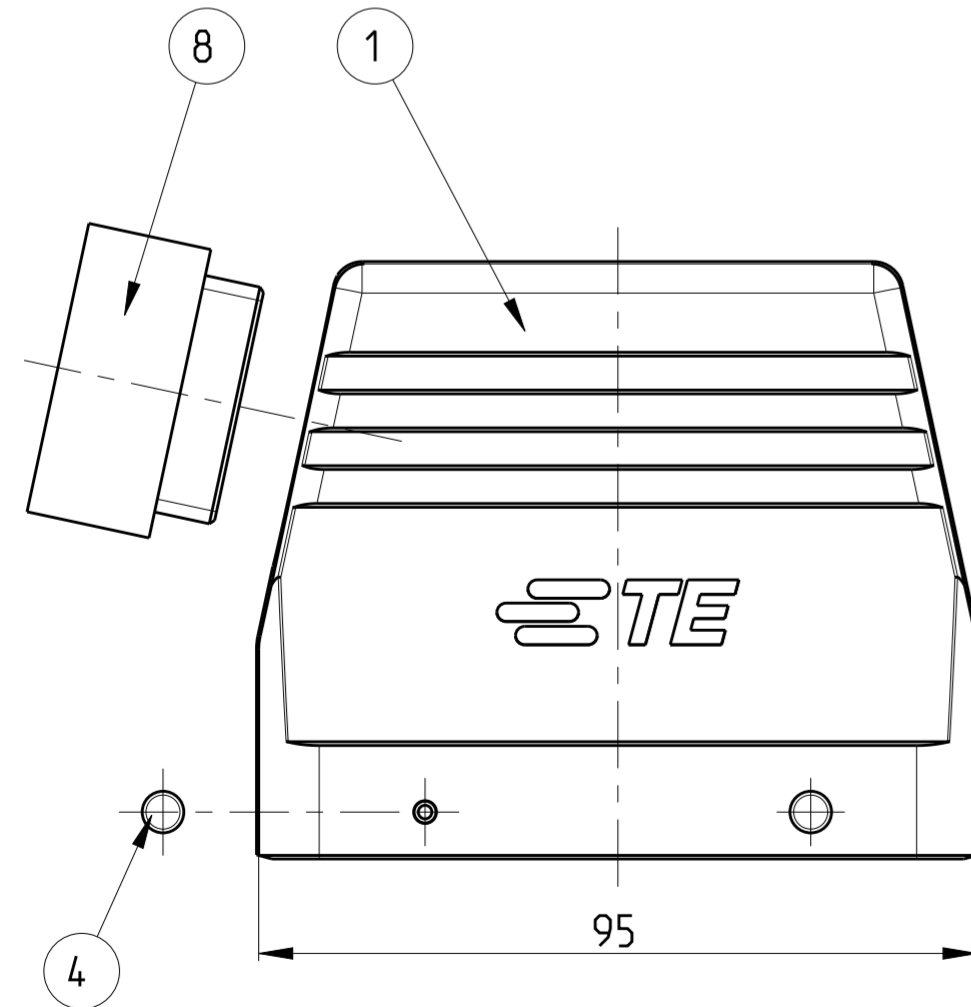
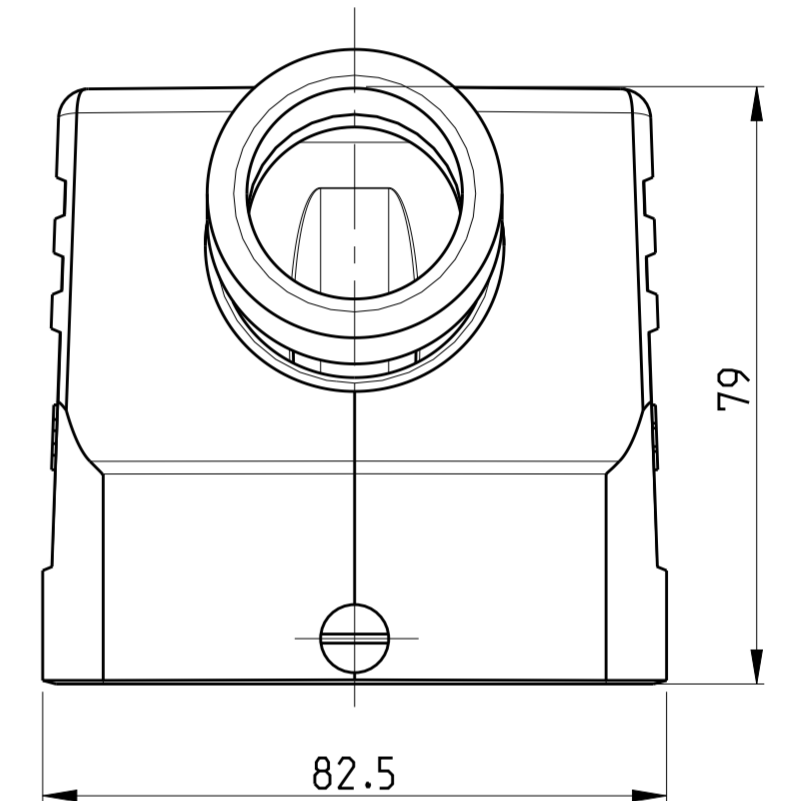
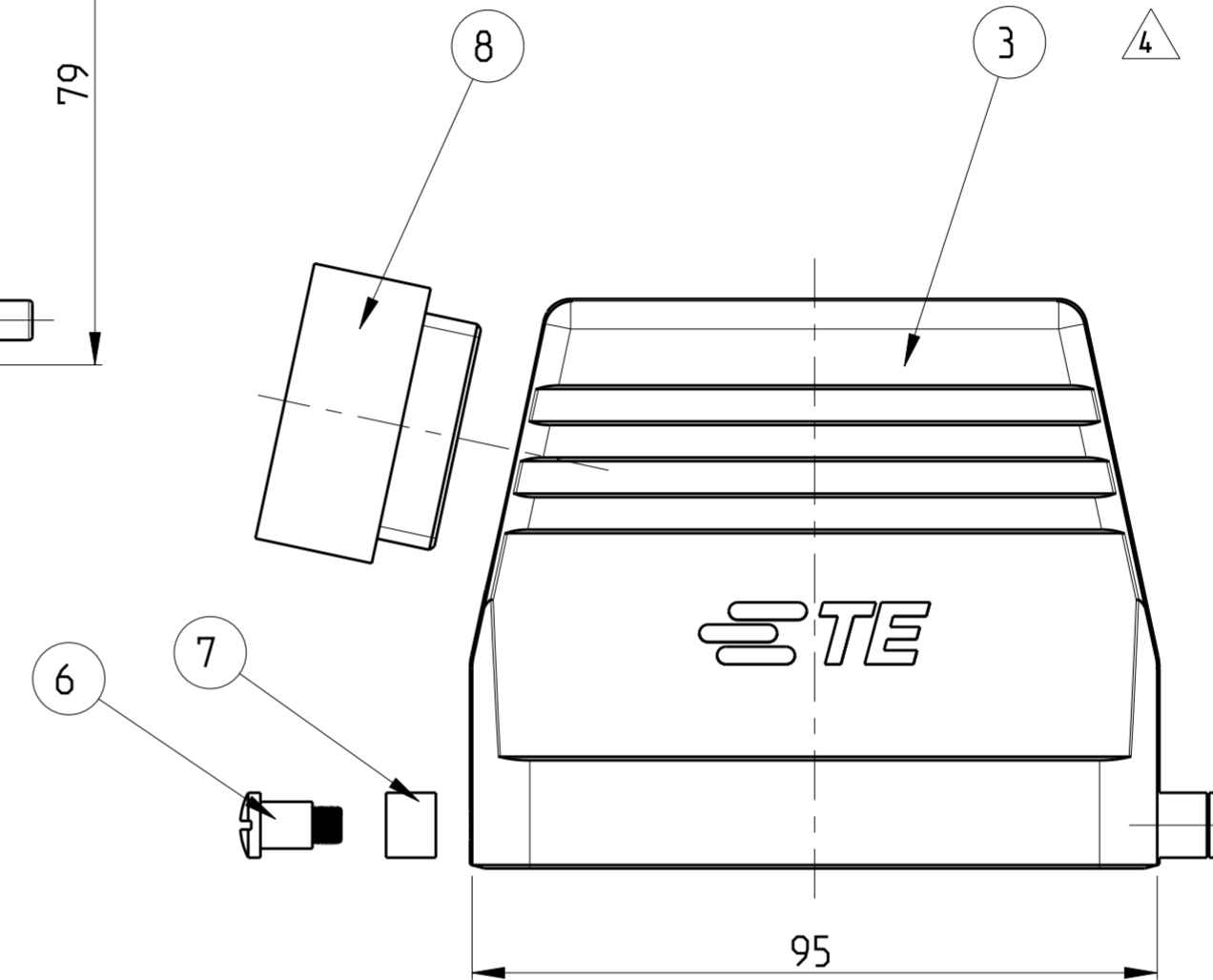
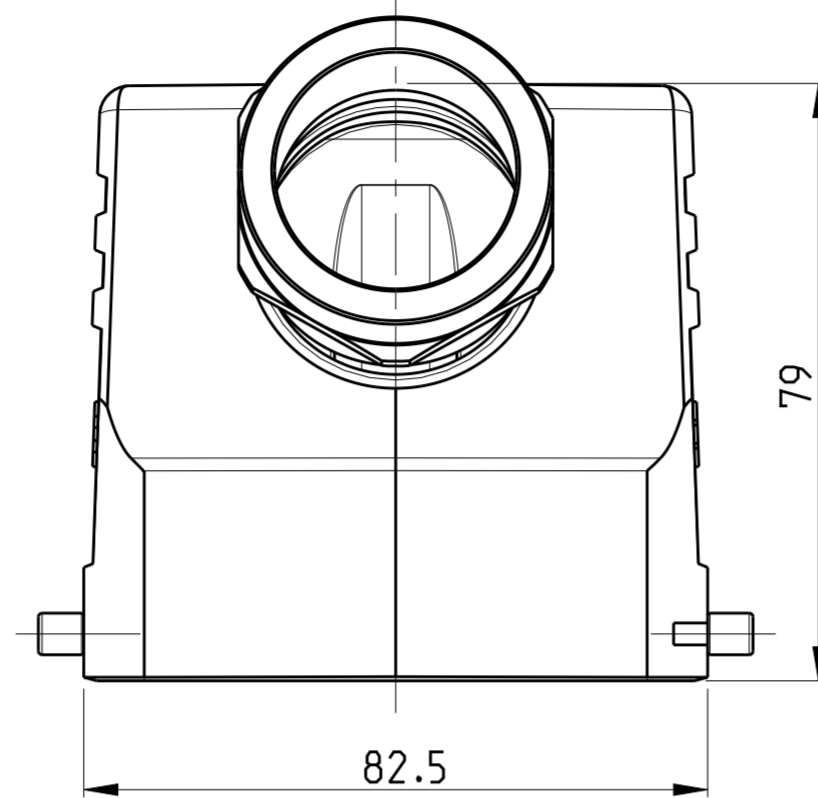
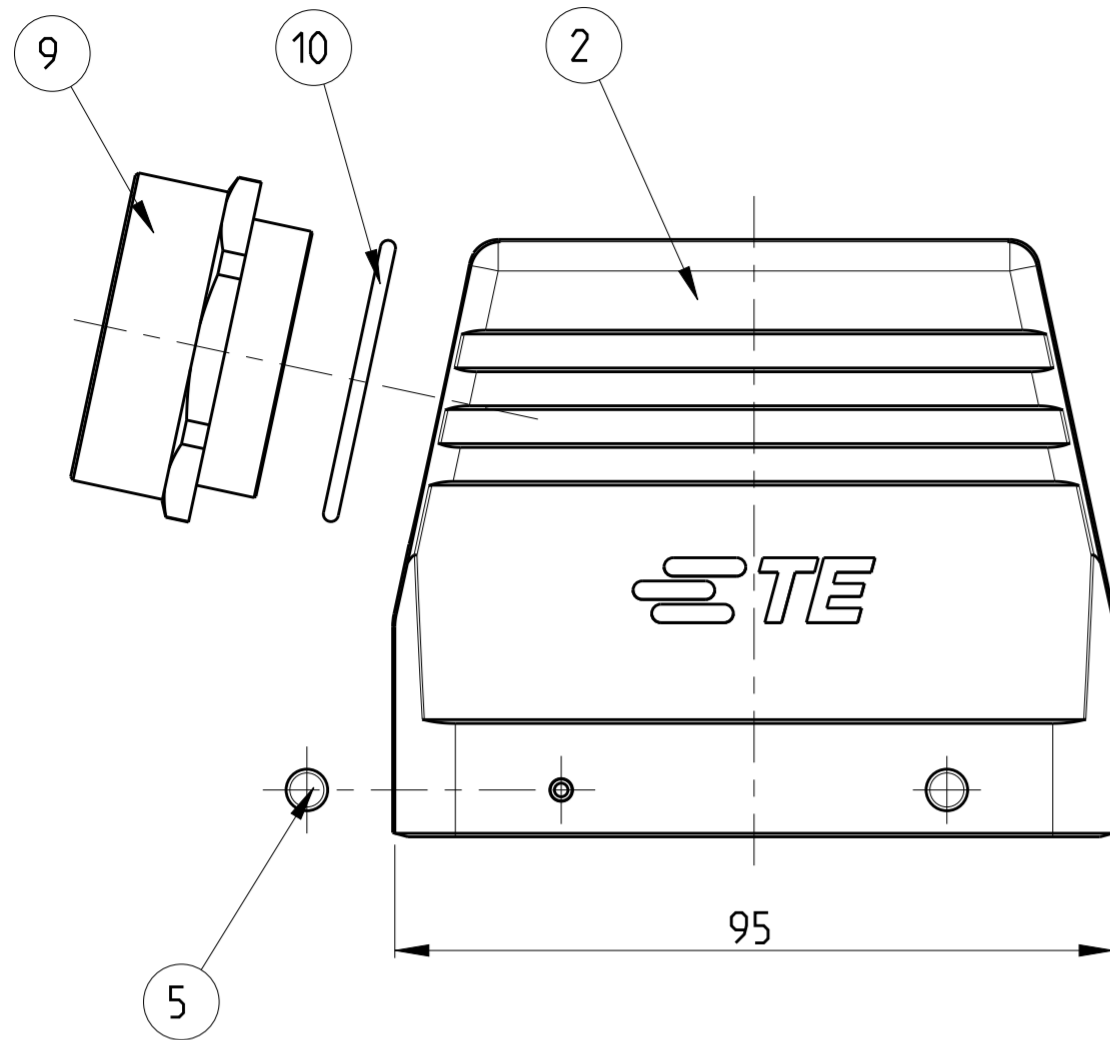


REVISIONS					
P	LTR	DESCRIPTION	DATE	DWN	APVD
A2		ECR-09-013545	12MAY2009	SR	AR
A3		REVISED PER ECR-17-013084	08JAN2018	NC	MKO
A4		REVISED PER ECR-19-007853	17MAY2019	SR	JB

NOTES

- 1 PART SHALL BE FREE AND CLEAN OF BURRS AND OTHER FOREIGN MATERIAL
- 2 PACKAGING: QUANTITY 3 PIECES
- 3 VARNISHING INSIDE HOUSING NOT REQUIRED
- 4 OBSOLETE PARTS



QTY	REF	DESCRIPTION	MATERIAL	SURFACE	COLORE	ITEM	NOTES	
1	1	O-RING	NEOPRENE		BLACK	10	PG29	
1	1	ADAPTOR	BRASS	NICKEL PLATED	BLUE	9	PG29	
1	1	ADAPTOR ROUND	BRASS	NICKEL PLATED	BLUE	8	PG29	
2	2	SLIDE SPOOL	STEEL	ZINC PLATED	BLUE	7		
2	2	CLIP BOLT	STEEL	ZINC PLATED	BLUE	6		
4	4	CLIP BOLT	STAINLESS STEEL	BLANC		5		
1	1	CLIP BOLT	STEEL	ZINC PLATED	BLUE	4		
1	1	HOOD	ALUMINIUM		GREY	3		
1	1	HOOD	ALUMINIUM	ALUMINIUM OXID	BLACK	2		
1	1	HOOD	ALUMINIUM		GREY	1		
1-7	2-6	1-6	DESCRIPTION	MATERIAL	SURFACE	COLORE	ITEM	NOTES

HB.32.STS.1.29.Z

HB-K.32.STS.1.29.Z

HB.32.STS-GR.1.29.Z

THIS DRAWING IS A CONTROLLED DOCUMENT.

DWN R.SCHNEIDER CHK T.SCHNURPFEL	12MAY2009 12MAY2009	 TE Connectivity	NAME HOOD HB.32.STS.1.29.Z
APVD -	APVD -		PRODUCT SPEC -
DIMENSIONS: mm		TOLERANCES UNLESS OTHERWISE SPECIFIED:	
0 PLC ±		1 PLC ±	
1 PLC ±		2 PLC ±	
2 PLC ±		3 PLC ±	
3 PLC ±		4 PLC ±	
4 PLC ±		ANGLES ±°	
FINISH		-	
MATERIAL		-	
-		-	

APVD	NAME	SIZE	CAGE CODE	DRAWING NO	RESTRICTED TO
-	HOOD HB.32.STS.1.29.Z	A2	00779	C-1102347	
PRODUCT SPEC	APVD	SCALE	SHEET	1 OF 1	REV A4
-	-	1:1	1		
APPLICATION SPEC	WEIGHT	CUSTOMER DRAWING			
-	-				

单击下面可查看定价，库存，交付和生命周期等信息

[>>TE Connectivity\(泰科\)](#)