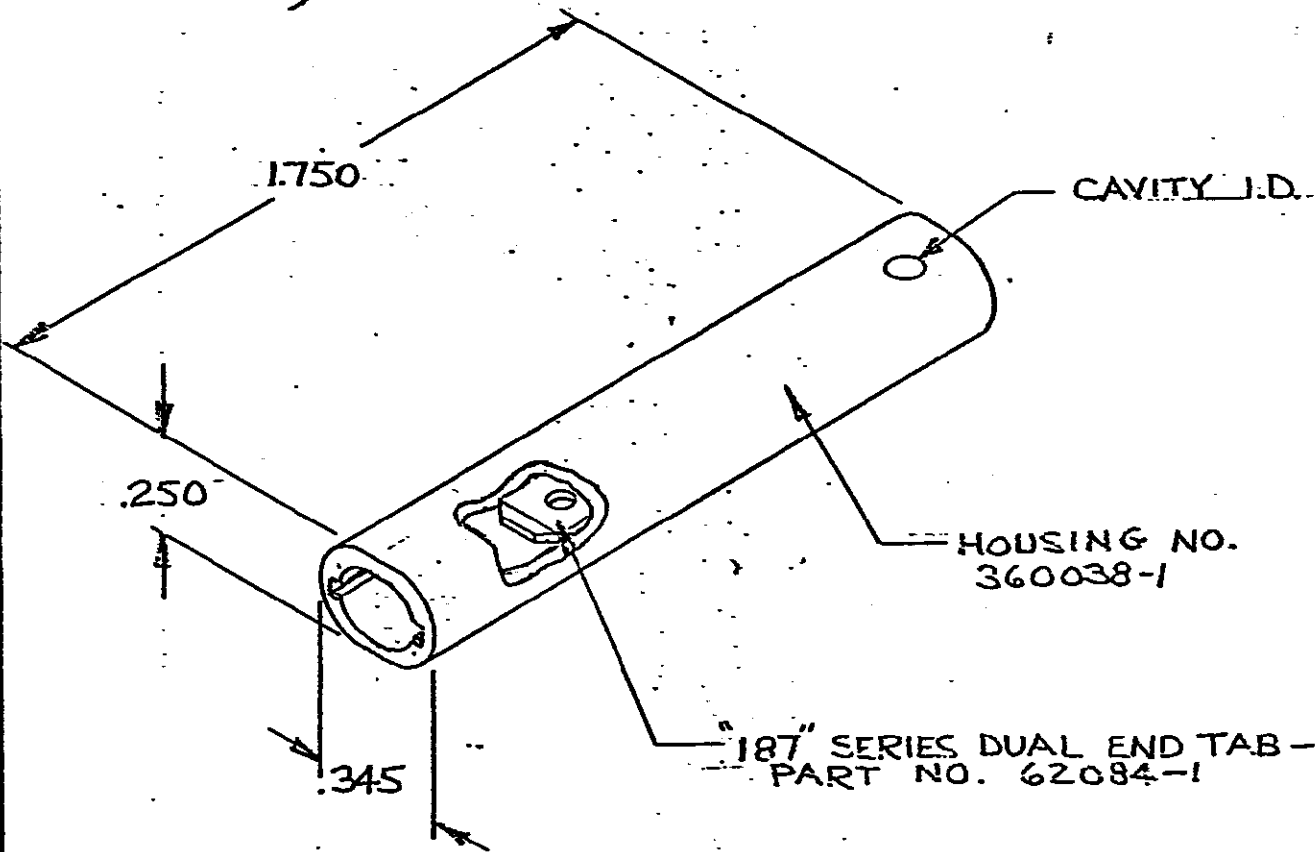
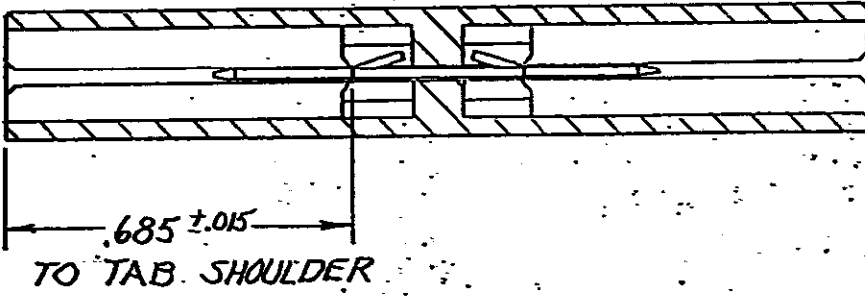


NUMBER 360035



PART NO.  
360035-1



DIMENSIONS IN INCHES. DO NOT SCALE PRINT.

Unpublished copy not to be reproduced nor published without written permission of AMP Incorporated

©1973 BY AMP INCORPORATED. ALL RIGHTS RESERVED. AMP PRODUCTS COVERED BY PATENTS AND/OR PATENTS PENDING				CUSTOMER COPY REFERENCE ONLY	
MATERIAL AND FINISH				AMP INCORPORATED HARRISBURG, PENNA.	
NYLON NATURAL				CLASS --	
WIRE - RANGE - INSULATION				TYPE --	
--				--	
TOLERANCE EXCEPT AS NOTED = .015		SCALE = 1" = 0"		LOC G	NO 360035
NAME: 187 SERIES IN-LINE SPLICE ASSEMBLY				REV D	

PRINT. DIS. 14	LTR		REVISION RECORD	ECN	OP	CHK	DATE
	DR		2-10-73		DE		
	CHK		APP		2-20-73		

单击下面可查看定价，库存，交付和生命周期等信息

[>>TE Connectivity\(泰科\)](#)