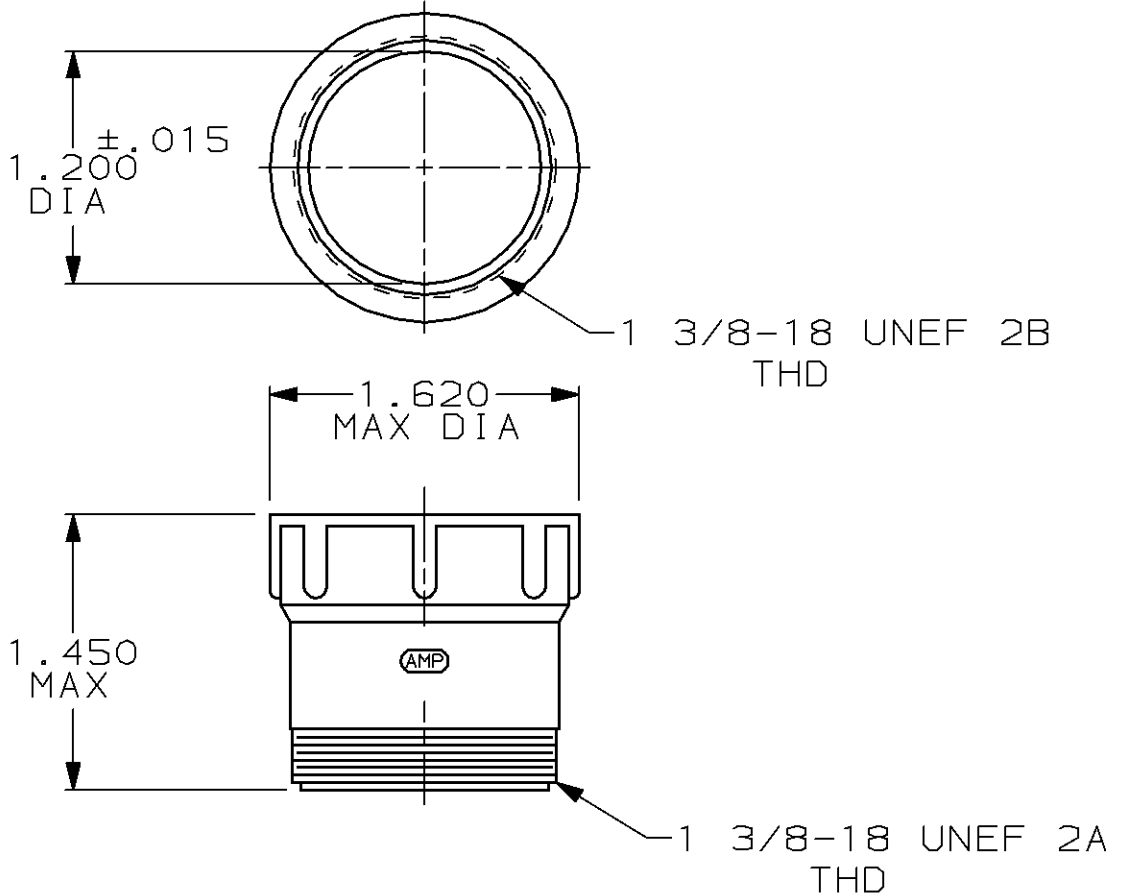


LOC	DIST	REVISIONS					
		P	LTR	DESCRIPTION	DATE	DWN	APVD
BD	35		B	REDRAWN	31 JUL 90	-	KB
			C	REVISE PER EC 0020-750-95	26 JUL 95	CR	RB



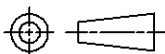
THIS DRAWING IS UNPUBLISHED.

BY AMP INCORPORATED. ALL RIGHTS RESERVED.

COPYRIGHT 19

207055-1
PART NUMBER

DIMENSIONS: INCHES	DWN	S. RIDGLEY	31 JUL 90	MATERIAL	GLASS FILLED NYLON	FINISH	-
	CHK	R. STONE	26 APR 91	AMP Incorporated Harrisburg, PA 17105-3608			
TOLERANCES UNLESS OTHERWISE SPECIFIED:	APVD	K. BEAVER	30 APR 91				
0 PLC ±-	PRODUCT SPEC	NAME BACKSHELL EXTENDER, SIZE 23, CPC					
1 PLC ±-	-						
2 PLC ±-	APPLICATION SPEC	SIZE	CAGE CODE	DRAWING NO			
3 PLC ±-	-	A4	00779	C-207055			
4 PLC ±-	WEIGHT	CUSTOMER DRAWING					
ANGLES ±-	-	SCALE	1:1	SHEET	1 OF 1	REV	C



单击下面可查看定价，库存，交付和生命周期等信息

[>>TE Connectivity\(泰科\)](#)