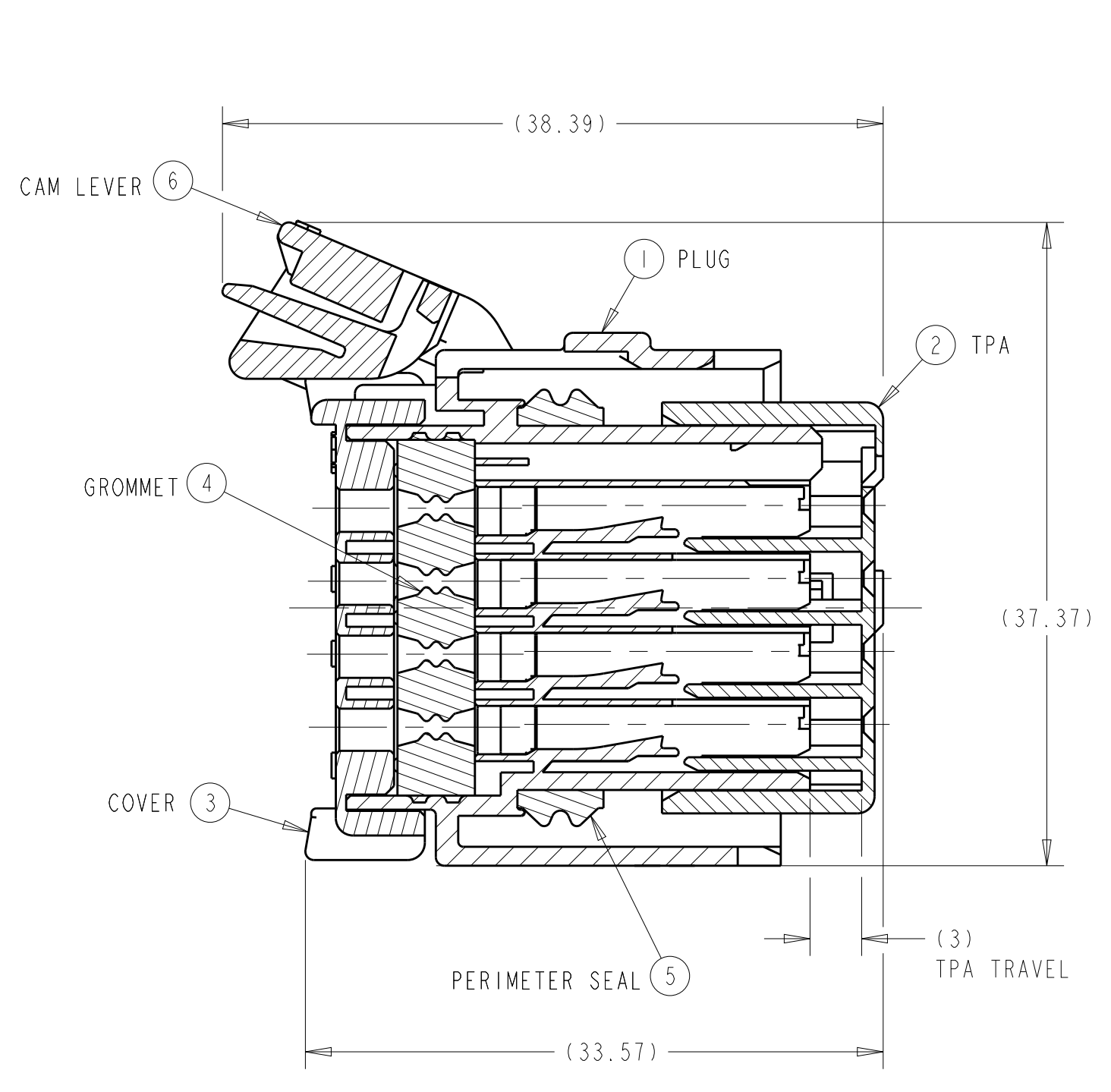
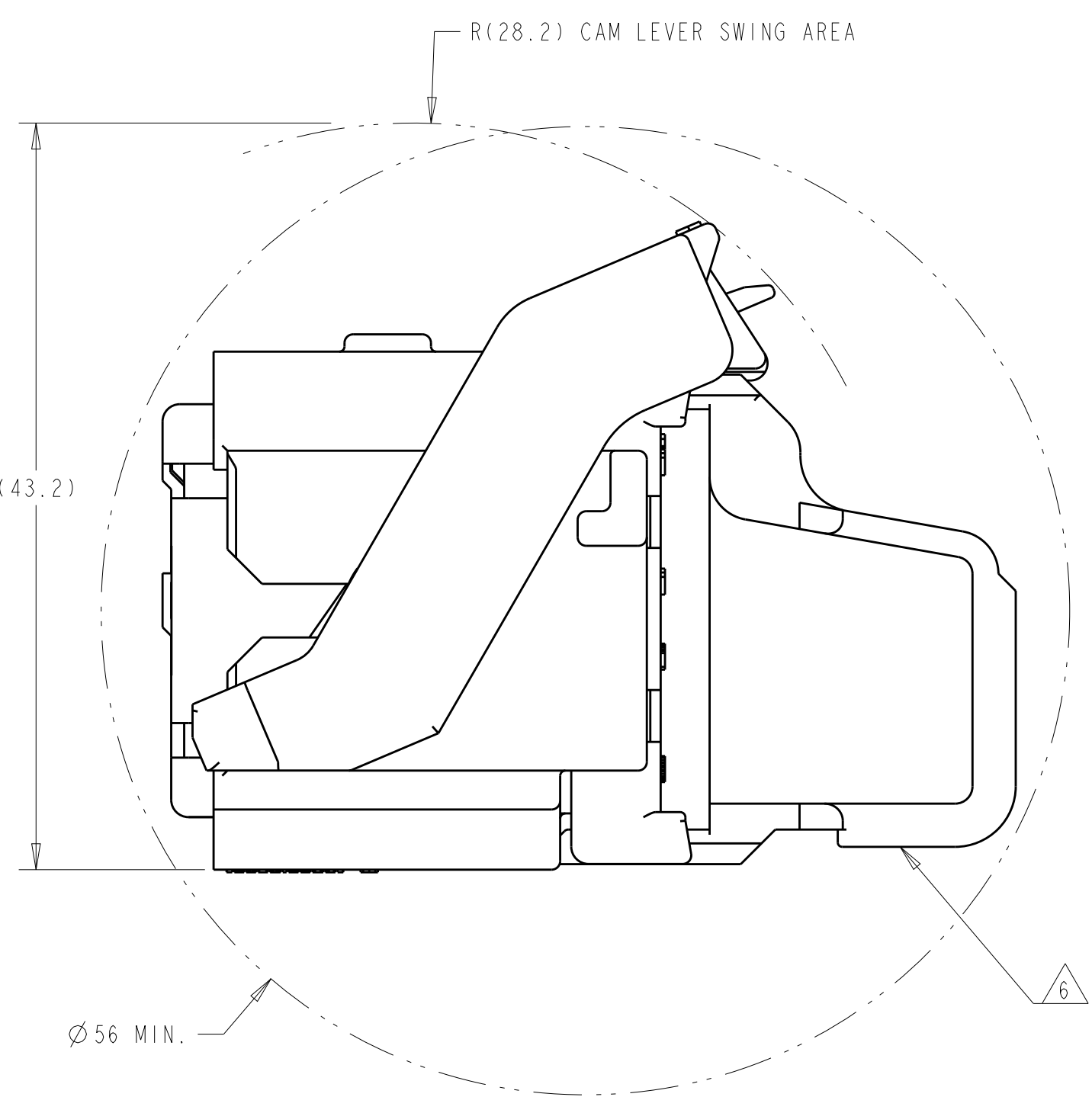
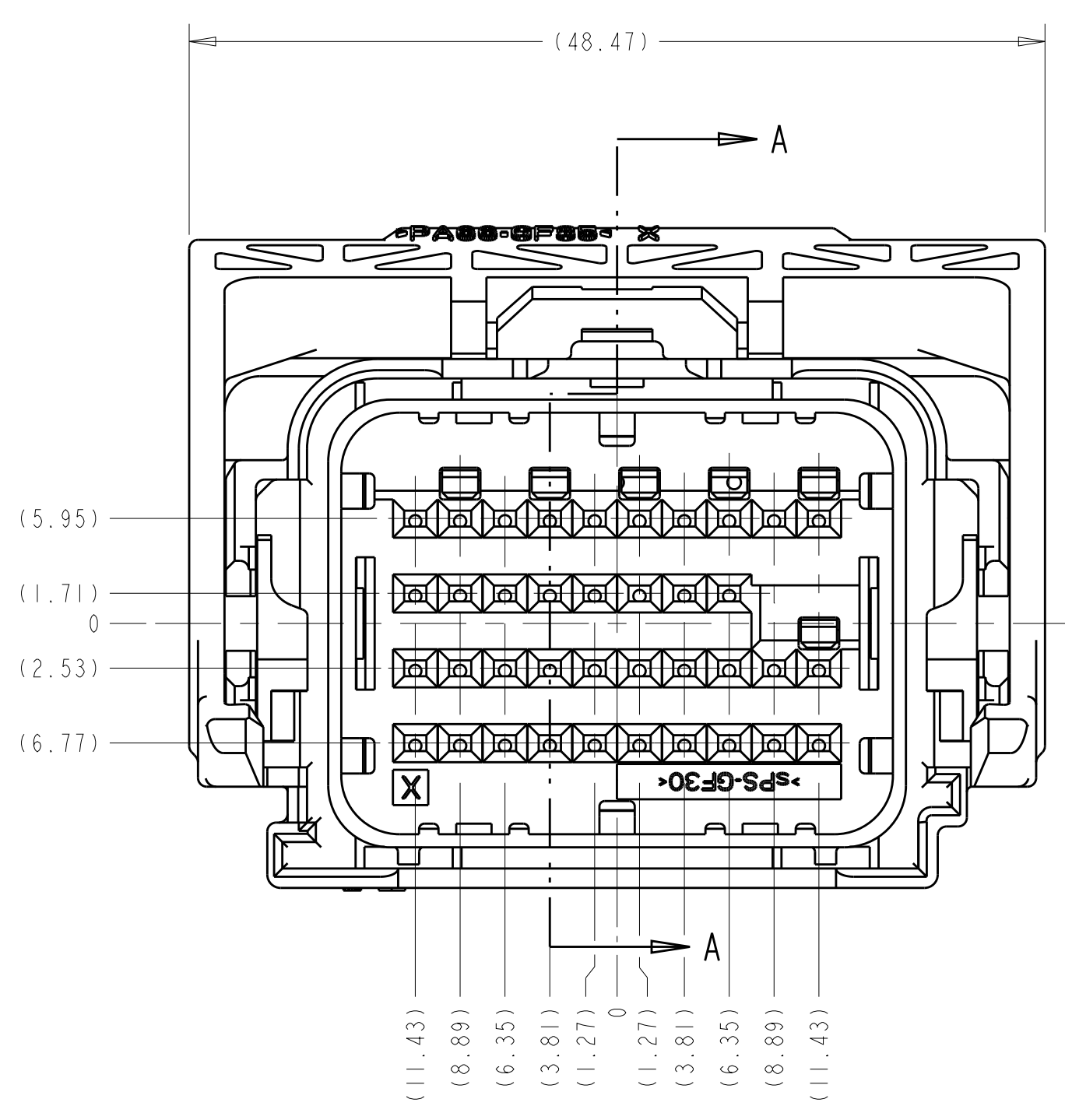


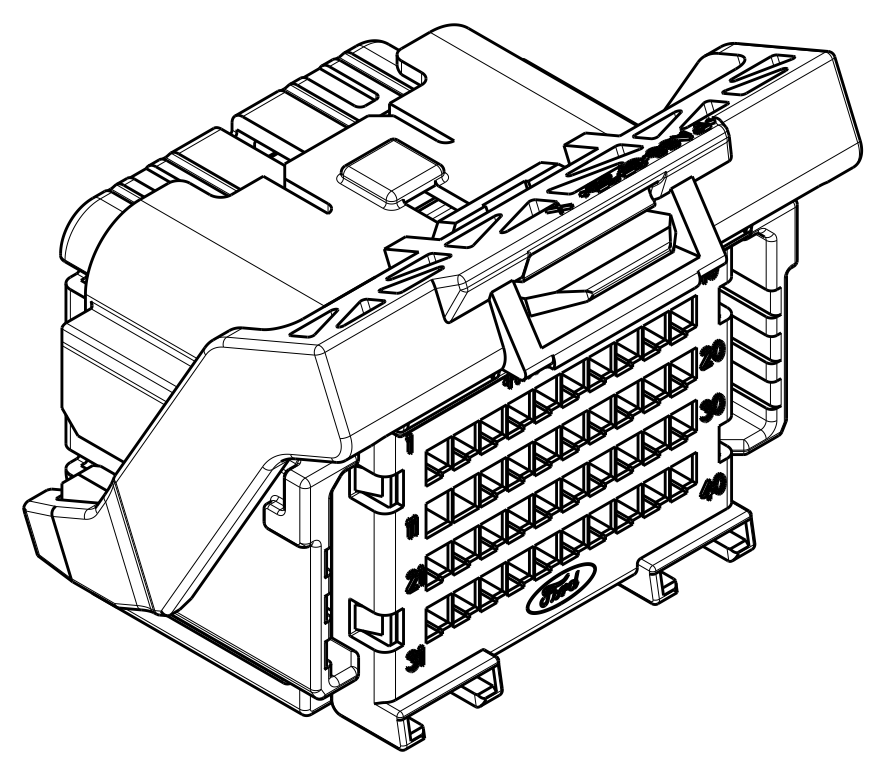
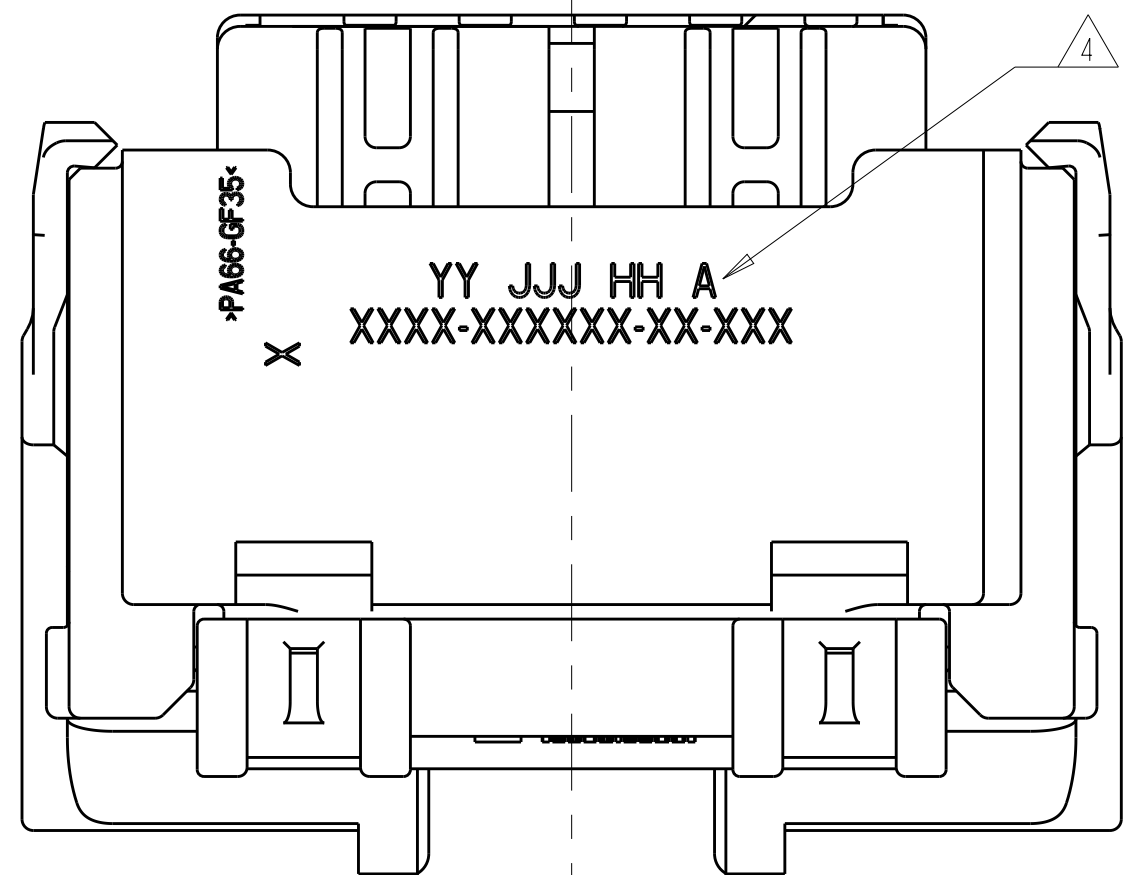
REVISIONS				
P	LTN	DESCRIPTION	DATE	OWN APVD
D1		REV PER ECO 08-006962	07JAN2008	DLD WTW
E		REVISED PER ECR 07-030366	08JAN2008	DLD WTW
F		REVISED PER ECO 08-006962	19MAR2008	DLD WTW
F1		REVISED PER ECO-20-012415	10SEP2020	AP WW



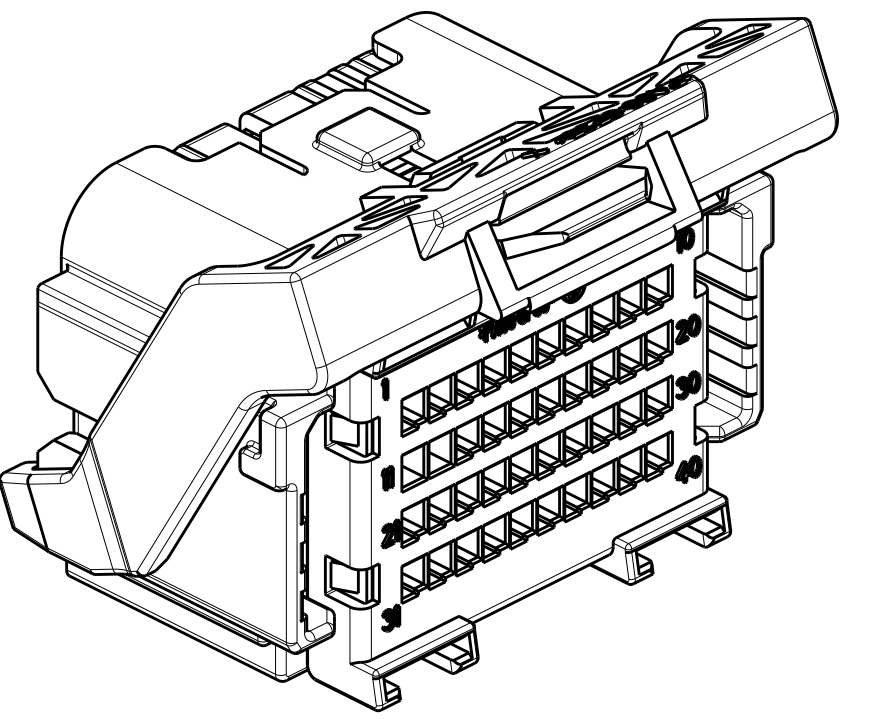
SECTION A-A
SHOWN WITH CAM LEVER
AND TPA IN THEIR
PRE-LOADED POSITIONS
(DELIVERY CONDITION)



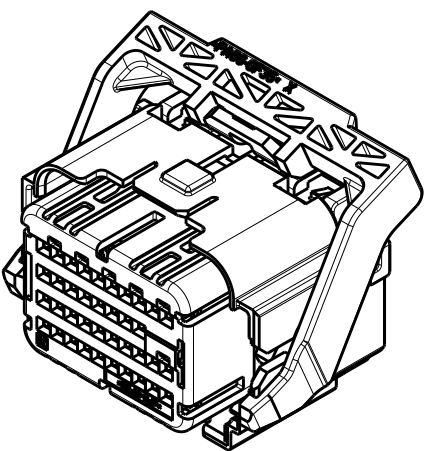
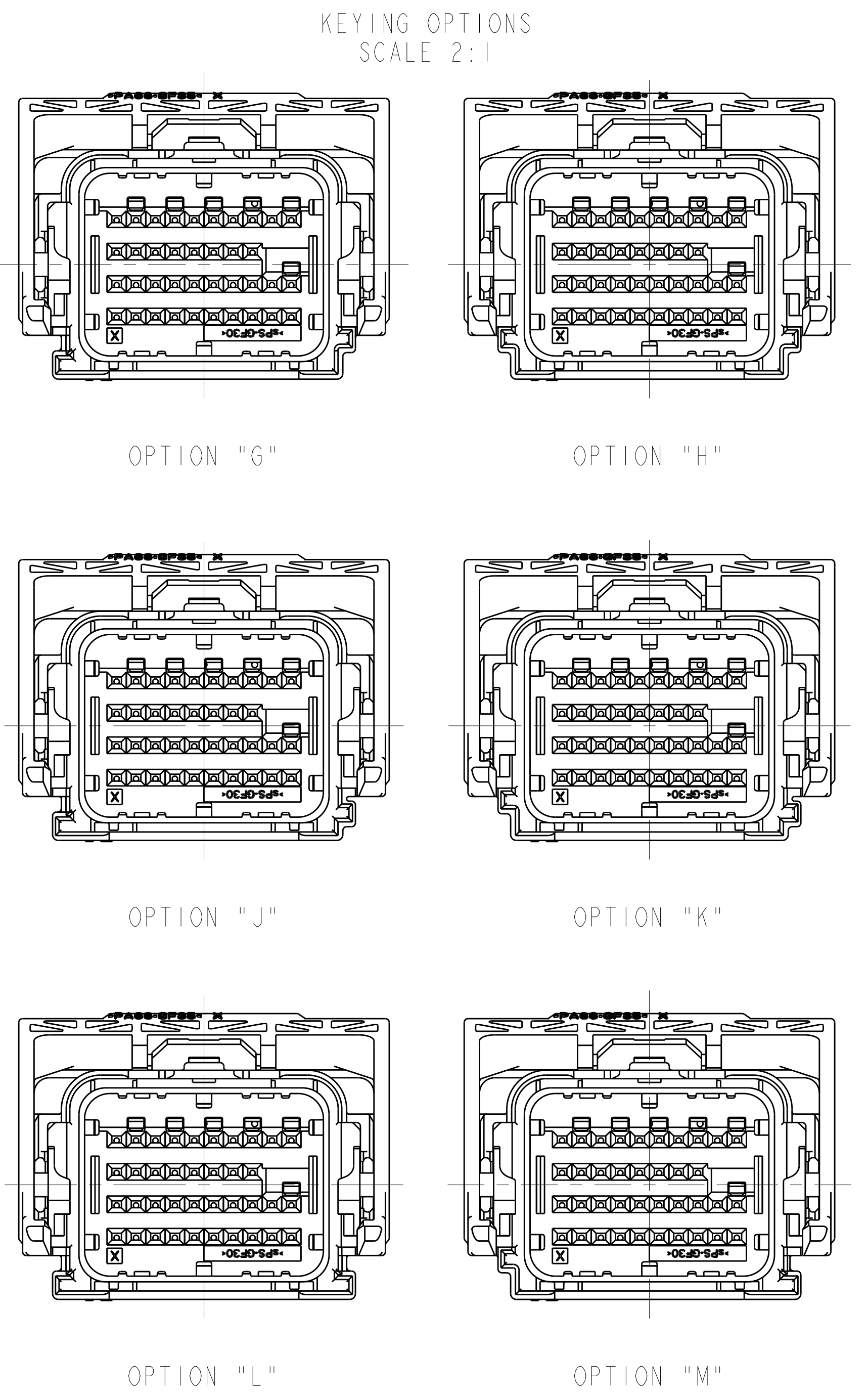
MINIMUM FEED THROUGH CONDITION
WITH 1mm CLEARANCE ALL AROUND
SHOWN WITH OPTION WIRESHIELD
TPA IS IN IT'S LOADED POSITION
CAM LEVER IS IN IT'S PRE-LOADED POSITION



SCALE 2:1



THIS VIEW SHOWS THE
MODIFIED CAM LEVER
SCALE 2:1



SCALE 1:1

KEYING OPTION "G" SHOWN
SEE SHEET 2 FOR BILL OF MATERIALS
AND SHEET 3, 4 AND 5 FOR PIN-OUT CHARTS

- NOTE(S):
1. APPLICABLE TERMINAL PART NUMBERS (SOLD SEPARATELY):
FOR TIN APPLICATIONS: 1393367 AND 1393366.
FOR GOLD APPLICATIONS: 1393365 AND 1393364.
FOR TERMINATION AND REELING OPTIONS
SEE DRAWINGS 1393367, 1393366, 1393365, AND 1393364.
 2. COMPATIBLE WIRE SIZES FOR MAT SEAL DESIGN 1.19 TO 2.06 O.D.
(22-18 AWG, 0.35-0.75 mm²)
 3. TPA AND CAM LEVER ARE SHIPPED IN THEIR PRE-LOADED POSITION.
ALL ASSEMBLIES ARE TO BE TRAY PACKAGED.
 4. CUSTOMER PART NUMBER AND TRACEABILITY CODE (YY = TWO DIGIT YEAR,
JJJ = JULIAN DAY, HH = TWO DIGIT MILITARY HOUR, A=ASSEMBLY PROCESS
USED) ARE PRINTED IN THIS LOCATION.
 5. PART ASSEMBLY WEIGHT WITHOUT TERMINALS AND WITH STANDARD PIN-OUT
CONFIGURATION IS 26.09 GRAMS.
 6. OPTIONAL WIRESHIELD P/N 8-1419157-8 (SOLD SEPARATELY). PLEASE CONTACT
YOUR TYCO ELECTRONICS SALES REPRESENTATIVE FOR AVAILABILITY AND PRICING.
 7. OBSOLETE PART

THIS DRAWING IS A CONTROLLED DOCUMENT.		OWN: A. HOLT 14NOV2006	
DIMENSIONS: mm		CHK: W. WELLSKY 14NOV2006	
TOLERANCES UNLESS OTHERWISE SPECIFIED:		APVD: W. WELLSKY 14NOV2006	NAME: 40 WAY SHORTING BAR ARM PLUG ASSEMBLY WITHOUT SHORTING BARS LOADED SIZE: CAGE CODE DRAWING NO: 00779 ©=1924170 RESTRICTED TO: CUSTOMER DRAWING
0 PLC ± 1 PLC ±0.3 2 PLC ±0.10 3 PLC ± 4 PLC ± ANGLES ± FINISH ±		PRODUCT SPEC: APPLICATION SPEC: WEIGHT: SEE NOTE 5 SCALE: 3:1 SHEET 1 OF 5 REV: F1	
MATERIAL: SEE CHART ON SHEET 2			

REVISIONS				
P.	LTN	DESCRIPTION	DATE	APPD
-	-	SEE SHEET 1	-	-

QTY	DESCRIPTION	MATERIAL	FINISH/COLOR
6	CAM LEVER	PA66 35% GF	GRAY
6	CAM LEVER WITH MODIFIED TAB	PA66 35% GF	GRAY
5	PERIMETER SEAL	SILICONE	GREEN
4	GROMMET	SILICONE	BROWN
3	COVER	PA66 35% GF	BLACK
2	TPA FOR SHORTING BAR APPLICATIONS	sPS 30% GF	NATURAL
1	PLUG WITH KEYING OPTION "H" AND 6 SHORTING BAR POSITIONS CONFIGURATION	PA66 35% GF	BLACK
1	PLUG WITH KEYING OPTION "G" AND 6 SHORTING BAR POSITIONS CONFIGURATION	PA66 35% GF	BLACK
ITEM	DESCRIPTION	MATERIAL	FINISH/COLOR

QTY	DESCRIPTION	MATERIAL	FINISH/COLOR
6	CAM LEVER	PA66 35% GF	GRAY
6	CAM LEVER WITH MODIFIED TAB	PA66 35% GF	GRAY
5	PERIMETER SEAL	SILICONE	GREEN
4	GROMMET	SILICONE	BROWN
3	COVER	PA66 35% GF	BLACK
2	TPA FOR SHORTING BAR APPLICATIONS	sPS 30% GF	NATURAL
1	PLUG WITH KEYING OPTION "H" AND 6 SHORTING BAR POSITIONS CONFIGURATION	PA66 35% GF	BLACK
1	PLUG WITH KEYING OPTION "G" AND 6 SHORTING BAR POSITIONS CONFIGURATION	PA66 35% GF	BLACK
ITEM	DESCRIPTION	MATERIAL	FINISH/COLOR

QTY	DESCRIPTION	MATERIAL	FINISH/COLOR
6	CAM LEVER	PA66 35% GF	GRAY
6	CAM LEVER WITH MODIFIED TAB	PA66 35% GF	GRAY
5	PERIMETER SEAL	SILICONE	GREEN
4	GROMMET	SILICONE	BROWN
3	COVER	PA66 35% GF	BLACK
2	TPA FOR SHORTING BAR APPLICATIONS	sPS 30% GF	NATURAL
1	PLUG WITH KEYING OPTION "H" AND 6 SHORTING BAR POSITIONS CONFIGURATION	PA66 35% GF	BLACK
1	PLUG WITH KEYING OPTION "G" AND 6 SHORTING BAR POSITIONS CONFIGURATION	PA66 35% GF	BLACK
ITEM	DESCRIPTION	MATERIAL	FINISH/COLOR

THIS DRAWING IS A CONTROLLED DOCUMENT.

DIMENSIONS: mm
 TOLERANCES UNLESS OTHERWISE SPECIFIED:
 0 PLC #±
 1 PLC #±0.3
 2 PLC #±0.10
 3 PLC #±
 4 PLC #±
 ANGLES #±
 FINISH #±

DWG: A. HOLT 14NOV2006
 CHK: W. WELLSKY 14NOV2006
 APVD: W. WELLSKY 14NOV2006
 PRODUCT SPEC: 40 WAY SHORTING BAR ARM PLUG ASSEMBLY WITHOUT SHORTING BARS LOADED
 APPLICATION SPEC: SEE NOTE 5
 WEIGHT: SEE NOTE 5
 CUSTOMER DRAWING: SCALE 3:1 SHEET 2 OF 5 REV F

STE TE Connectivity
 NAME: 40 WAY SHORTING BAR ARM PLUG ASSEMBLY WITHOUT SHORTING BARS LOADED
 SIZE: CAGE CODE DRAWING NO. RESTRICTED TO: 00779 ©=1924170

REVISIONS				
P.	LTN	DESCRIPTION	DATE	APPV
-	-	SEE SHEET 1	-	-

PIN OUT CHART

BLANK CAVITIES INDICATE OPEN TERMINAL HOLE POSITIONS

CAVITIES WITH A NUMERIC SYMBOL INDICATE CLOSED TERMINAL HOLE POSITIONS

TERMINAL HOLE POSITION

		1	2	3	4	5	6	7	8	9	10	11	12	13	14	15	16	17	18	19	20	21	22	23	24	25	26	27	28	29	30	31	32	33	34	35	36	37	38	39	40	ASSEMBLY PART NUMBER	KEYING OPTION			
						5	6	7	8	9	10	11	12	13	14	15	16								24			27	28	29	30								37	37	39	40	6-1924170-6	G		
				3	4	5	6	7	8	9	10	11	12	13	14	15	16	17	18					23	24		26										35	36	37	37	39	40	6-1924170-7	G		
				3	4	5	6	7	8	9	10	11	12	13	14	15	16								24			27	28	29	30						35	36	37	37	39	40	6-1924170-8	G		
				3	4	5	6	7	8	9	10	11	12	13	14	15	16								24												35	36	37	37	39	40	6-1924170-9	G		
	1	2				5	6	7	8	9	10	11	12	13	14	15	16					21	22				24		27	28	29	30								37	38	39	40	7-1924170-0	G	
					5	6	7	8	9	10	11	12	13	14	15	16							21	22				24		27	28	29	30					35	36	37	38	39	40	7-1924170-1	G	
	1	2						7	8	9	10	11	12	13	14	15	16						21	22				24									35	36	37	38	39	40	7-1924170-2	G		
	1	2							7	8	9	10	11	12	13	14	15	16					21	22				24		27	28	29	30					35	36	37	38	39	40	7-1924170-3	G	
												11	12													24																		7-1924170-4	G	
	1	2											11	12	13	14	15	16							24																		7-1924170-5	G		
													11	12																					32				37	38	39	40	7-1924170-6	G		
													11	12								19	20			24																7-1924170-7	G			
													11	12								19	20												33	34							7-1924170-8	G		
									7	8	9	10	11	12								19	20			24																	7-1924170-9	G		
									7	8	9	10	11	12								19	20													33	34							8-1924170-0	G	
									7	8	9	10	11	12																					31	32					37	38	39	40	8-1924170-1	G
											9	10	11	12								17	18	19	20	21	22		24	26						33	34	35	36	37	38	39	40	8-1924170-2	G	
						5	6	7	8	9	10	11	12	13	14	15	16																											8-1924170-3	G	
						3	4	5	6	7	8	9	10	11	12	13	14	15	16																									8-1924170-4	G	
									7	8	9	10	11	12	13	14	15	16																											8-1924170-5	G
	1	2							7	8	9	10	11	12	13	14	15	16																											8-1924170-6	G
	1	2							7	8	9	10	11	12	13	14	15	16																											8-1924170-7	G
	1	2							7	8	9	10	11	12	13	14	15	16																											8-1924170-8	G
	1	2	3	4					7	8	9	10	11	12	13	14	15	16																											8-1924170-9	G
	1	2	3	4					7	8	9	10	11	12	13	14	15	16																											9-1924170-0	G
	1	2	3	4	5	6	7	8	9	10	11	12	13	14	15	16																												9-1924170-1	G	
													11	12																														9-1924170-2	G	
													11	12																														9-1924170-3	G	
													11	12																														9-1924170-4	G	
																																												9-1924170-5	G	
	1	2	3	4	5	6	7	8	9	10	11	12	13	14	15	16																											9-1924170-6	G		
																																												9-1924170-7	G	
																																												9-1924170-8	G	
																																												9-1924170-9	G	
																																												0-1924171-1	G	
																																												0-1924171-2	G	
																																												0-1924171-3	G	
																																												0-1924171-4	G	
																																												0-1924171-5	G	
	1	2	3	4	5	6	7	8	9	10	11	12	13	14	15	16																											0-1924171-6	G		
																																												0-1924171-7	G	
																																												0-1924171-8	G	
	1	2	3	4	5	6	7	8	9	10	11	12	13	14	15	16																											0-1924171-9	G		
	1	2	3	4	5	6	7	8	9	10	11	12	13	14	15	16																											1-1924171-0	G		

THIS DRAWING IS A CONTROLLED DOCUMENT.

DIMENSIONS: mm

TOLERANCES UNLESS OTHERWISE SPECIFIED:

0 PLC	±
1 PLC	±0.3
2 PLC	±0.10
3 PLC	±
4 PLC	±
ANGLES	±3°
FINISH	-

MATERIAL: SEE CHART ON SHEET 2

APPROVALS:

DRN	A. HOLT	14NOV2006
CHK	W. WELLSKY	14NOV2006
APPV	W. WELLSKY	14NOV2006

PRODUCT SPEC: -

APPLICATION SPEC: -

WEIGHT: SEE NOTE 5

CUSTOMER DRAWING

TE Connectivity

40 WAY SHORTING BAR ARM PLUG ASSEMBLY WITHOUT SHORTING BARS LOADED

SIZE: A | CAGE CODE: 00779 | DRAWING NO: 1924170

SCALE: 3:1 | SHEET 4 OF 5 | REV F1

REVISIONS				
P.	LTN.	DESCRIPTION	DATE	APPV.
-	-	SEE SHEET 1	-	-

PIN OUT CHART																																								ASSEMBLY PART NUMBER	KEYING OPTION				
BLANK CAVITIES INDICATE OPEN TERMINAL HOLE POSITIONS																																													
CAVITIES WITH A NUMERIC SYMBOL INDICATE CLOSED TERMINAL HOLE POSITIONS																																													
TERMINAL HOLE POSITION																																													
1	2	3	4	5	6	7	8	9	10	11	12	13	14	15	16	17	18	19	20	21	22	23	24	25	26	27	28	29	30	31	32	33	34	35	36	37	38	39	40						
											11	12																														0-1924172-1	G		
1	2	3	4	5	6	7	8	9	10	11	12	13	14	15	16	17	18			21	22																					0-1924172-2	G		
			3	4	5	6	7	8	9	10	11	12	13	14	15	16																											0-1924172-3	G	
							7	8	9	10	11	12	13	14	15	16																											0-1924172-4	G	
							7	8	9	10	11	12																															0-1924172-5	G	
1	2	3	4	5	6	7	8	9	10	11	12	13	14	15	16					21	22																						0-1924172-6	G	
							7	8	9	10	11	12					17	18																									0-1924172-7	G	
							7	8	9	10	11	12	13	14	15	16	17	18																									0-1924172-8	G	
1	2	3	4	5	6	7	8	9	10	11	12	13	14	15	16					21	22																						0-1924172-9	G	
							7	8	9	10	11	12																																1-1924172-0	G
							7	8	9	10	11	12	13	14	15	16																											1-1924172-1	G	
1	2	3	4	5	6	7	8	9	10	11	12	13	14	15	16					19	20	21	22	23	24																	1-1924172-2	G		
1	2					7	8	9	10	11	12										21	22																					1-1924172-3	G	
			3	4	5	6					11	12																															1-1924172-4	G	
			3	4	5	6																																				1-1924172-5	G		
			3	4	5	6					11	12																														1-1924172-6	G		

PIN OUT CHART																																								ASSEMBLY PART NUMBER	KEYING OPTION				
BLANK CAVITIES INDICATE OPEN TERMINAL HOLE POSITIONS																																													
CAVITIES WITH A NUMERIC SYMBOL INDICATE CLOSED TERMINAL HOLE POSITIONS																																													
TERMINAL HOLE POSITION																																													
1	2	3	4	5	6	7	8	9	10	11	12	13	14	15	16	17	18	19	20	21	22	23	24	25	26	27	28	29	30	31	32	33	34	35	36	37	38	39	40						
							7	8	9	10	11	12							19	20																								0-1924173-1	H
				5	6	7	8	9	10	11	12	13	14	15	16				19	20				24																			0-1924173-2	H	
																																											0-1924173-3	H	
1	2	3	4						9	10	11	12	13	14	15	16					21	22																					0-1924173-4	H	
1	2	3	4	5	6	7	8	9	10	11	12	13	14	15	16						21	22	23	24	25	26	27	28	29	30	31	32	33	34							0-1924173-5	H			
																																											0-1924173-6	H	
							7	8	9	10	11	12																															0-1924173-7	H	
							7	8	9	10	11	12																															0-1924173-8	H	
1	2	3	4	5	6	7	8	9	10	11	12	13	14	15	16					20	21	22																				0-1924173-9	H		
1	2	3	4	5	6	7	8	9	10	11	12	13	14	15	16						21	22																				1-1924173-0	H		
1	2	3	4	5	6	7	8	9	10	11	12	13	14	15	16						21	22																				1-1924173-1	H		
1	2	3	4	5	6	7	8	9	10	11	12	13	14	15	16						21	22																				1-1924173-2	H		
																																											1-1924173-3	H	
1	2					7	8	9	10	11	12	13	14	15	16						21	22																				1-1924173-4	H		
1	2	3	4	5	6	7	8	9	10	11	12	13	14	15	16						21	22																				1-1924173-5	H		
1	2	3	4	5	6	7	8	9	10	11	12	13	14	15	16						21	22																				1-1924173-6	H		
1	2					7	8	9	10	11	12	13	14	15	16						21	22																				1-1924173-7	H		
1	2	3	4	5	6	7	8	9	10	11	12	13	14	15	16						21		23																			1-1924173-8	H		
			3	4	5	6					11	12																															1-1924173-9	H	
			3	4	5	6					11	12																															2-1924173-0	H	
			3	4	5	6					11	12																															2-1924173-1	H	

THIS DRAWING IS A CONTROLLED DOCUMENT.

DIMENSIONS: mm
 TOLERANCES UNLESS OTHERWISE SPECIFIED:
 0 PLC ±0.3
 1 PLC ±0.10
 2 PLC ±0.10
 3 PLC ±0.10
 4 PLC ±0.10
 ANGLES ±0.5°
 FINISH -

DWG: A. HOLT 14NOV2006
 CHK: W. WELLSKY 14NOV2006
 APVD: W. WELLSKY 14NOV2006

STE TE Connectivity
 NAME: 40 WAY SHORTING BAR ARM PLUG ASSEMBLY WITHOUT SHORTING BARS LOADED
 SIZE: CAGE CODE: DRAWING NO: 00779 C=1924170
 WEIGHT: SEE NOTE 5
 CUSTOMER DRAWING

SCALE: 3:1 SHEET 5 OF 5 REV: F1

单击下面可查看定价，库存，交付和生命周期等信息

[>>TE Connectivity\(泰科\)](#)