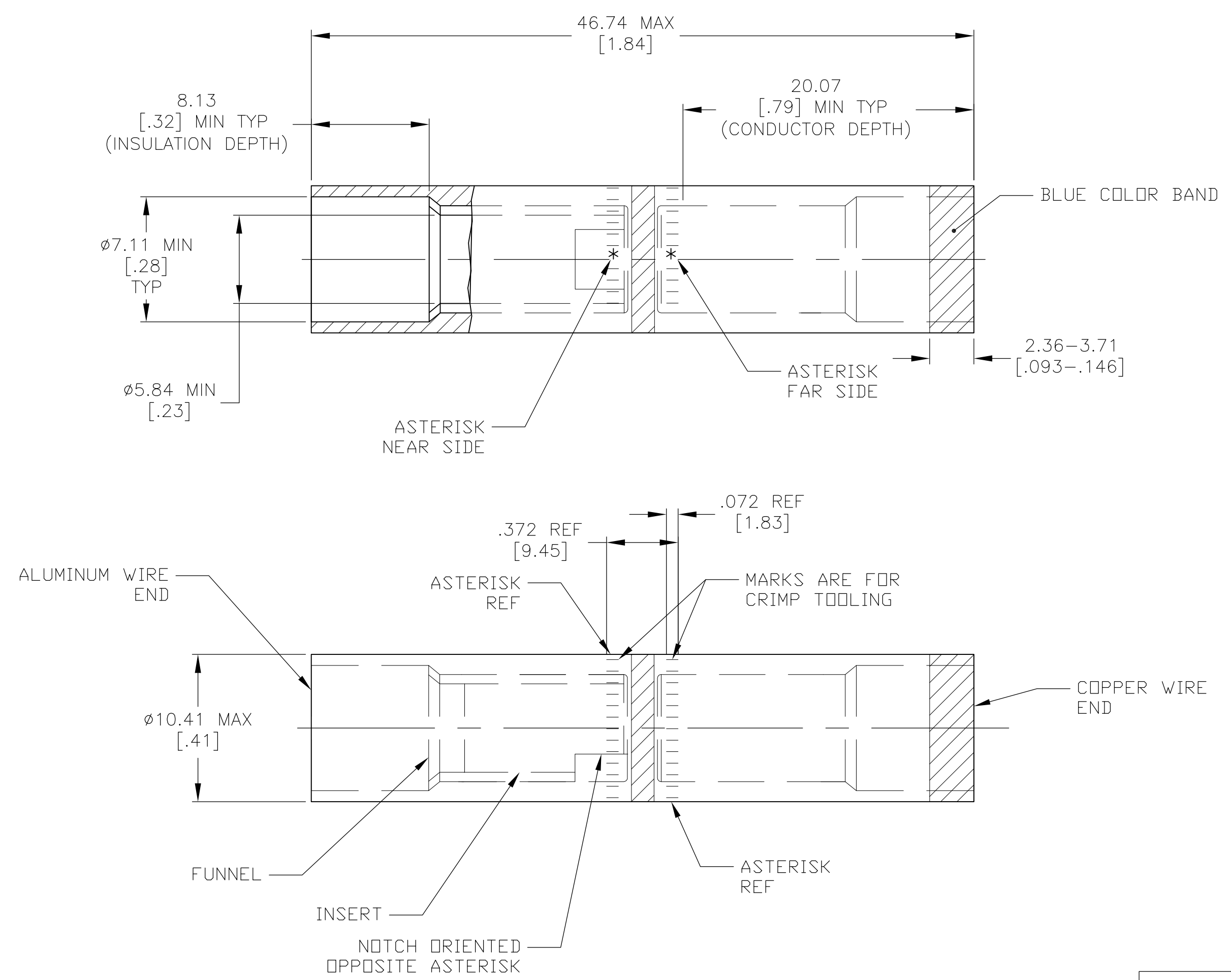


THIS DRAWING IS UNPUBLISHED. RELEASED FOR PUBLICATION  
 © COPYRIGHT - By - ALL RIGHTS RESERVED.

REVISIONS					
P	LTR	DESCRIPTION	DATE	OWN	APVD
	H	REVISED PER ECO-17-003648	01JUN17	PHM	CT



1. WIRE INSULATION: 5.72[.225] - 6.35[.250] DIA
2. 55984-1 AND AMP 6AL-6CU MARKED ON PART.
3. QUALIFIED TO ALUMINUM WIRE AMPERAGE ONLY- 6AL = 83 AMPS.

SPLICE: COPPER ASTM B-187 TIN PL ASTM B 545 0.00381[.000150] MIN THK	55984-1
INSERT & FUNNEL: BRASS ASTM B36 NICKEL PL SAE AMS QQ-N-290A, DATED JULY 2000, 0.00254 [.000100] MIN THK	
MATERIAL & FINISH	PART NO.

THIS DRAWING IS A CONTROLLED DOCUMENT.		DWN C.C.THOMAS 4MAY11	 TE Connectivity	NAME WIRE SPLICE, TRANSITIONAL, SEALED COPALUM, [6] ALUMINUM - [6] COPPER
DIMENSIONS: mm [INCHES]		CHK B.WALTERS 4MAY11		
TOLERANCES UNLESS OTHERWISE SPECIFIED:		APVD B.WALTERS 4MAY11		
0 PLC ± - 1 PLC ± - 2 PLC ± - 3 PLC ± - 4 PLC ± - ANGLES ± ± -		PRODUCT SPEC 108-11011 APPLICATION SPEC 114-2134		
MATERIAL SEE TABLE	FINISH SEE TABLE	WEIGHT A2 00779	SIZE A2 00779	DRAWING NO G-55984
CUSTOMER DRAWING			RESTRICTED TO	SCALE 4:1 SHEET 1 OF 1 REV H

单击下面可查看定价，库存，交付和生命周期等信息

[>>TE Connectivity\(泰科\)](#)